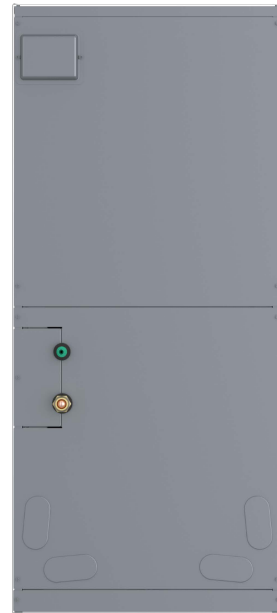


Submittal: UMD(24,36)MSK3IH 2&3 Ton Inverter Split System Heat Pump IDU

Inverter Split System Features and Benefits:

- Indoor coil is epoxy-resin coated showing no unexpected corrosion in 500 hr salt spray test
- High-Efficiency ECM Blower Motor
- Electric Heat Kits are Available in Various kW Ratings
- Isolation Valves on the Indoor Unit Reduce Evacuation Time
- Conveniently-Located Indoor Service Valves
- Includes Flexible Suction Line Connector for Easier Installation



Power Supply

	2-Ton	3-Ton
Voltage (Min-Max):	187 - 253	187 - 253
MOCP:	15	15

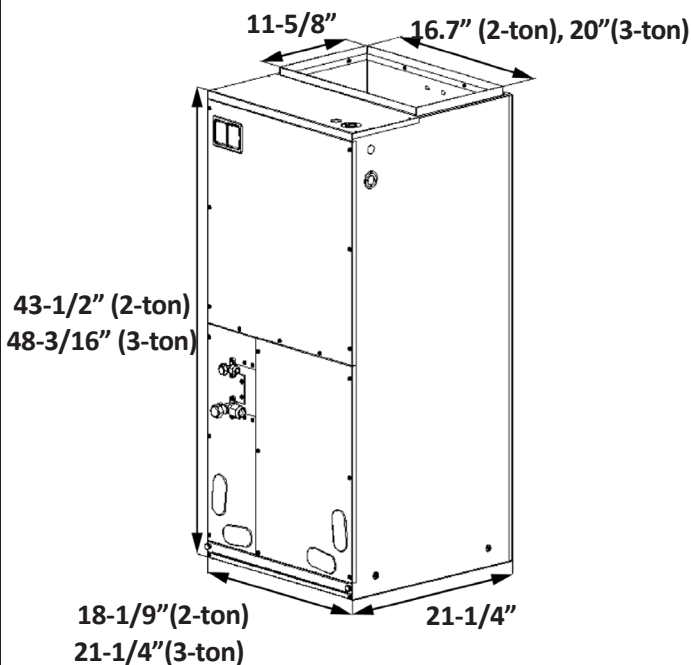
Physical Characteristics

Net Weight (lbs): 135.6, 163.1
Dimensions (in):
 Width: 18.1", 21.2"
 Depth: 21.2"
 Height: 43.5", 48.1"

Piping Connection Size

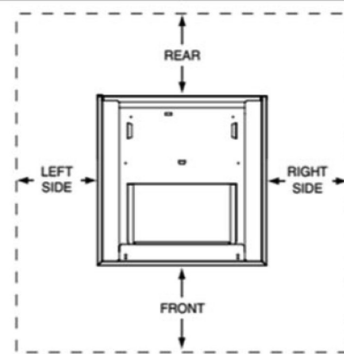
ODU Connection Size (Liquid): 3/8"
 ODU Connection Size (Gas): 3/4"

Dimensions



Installation Clearances

Left Side	0 Inches	Right Side	0 Inches
Back	0 Inches	Front	†See Notes



†NOTE:
Alcove Installations - Allow 24 in. minimum clearance from front of unit to nearest wall or partition for servicing. Recommended clearance is 36 in.

Submittal: UMD(24,36)MSK3IH 2&3 Ton Inverter Split System Heat Pump IDU**Blower Data**

Model	UMD24MSK3IH											
Level	Static pressure (Inches W.C.)											
	0	0.1	0.15	0.2	0.3	0.4	0.5	0.6	0.7	0.8	0.9	1.0
Speed 1(CFM)	1080	960	900	<u>830</u>	-	-	-	-	-	-	-	-
Speed 2(CFM)	1220	1120	1060	990	<u>820</u>	-	-	-	-	-	-	-
Speed 3(CFM)	1380	1250	1120	1070	1020	920	<u>760</u>	-	-	-	-	-
Speed 4(CFM)	1700	1630	1580	1530	1450	1400	1370	1270	1150	970	<u>790</u>	-
Speed 5(CFM)	1750	1700	1650	1600	1590	1500	1420	1330	1200	1050	950	<u>850</u>

Model	UMD36MSK3IH											
Level	Static pressure (Inches W.C.)											
	0	0.1	0.15	0.2	0.3	0.4	0.5	0.6	0.7	0.8	0.9	1.0
Speed 1(CFM)	1220	1120	1020	<u>960</u>	-	-	-	-	-	-	-	-
Speed 2(CFM)	1380	1260	1200	1100	<u>950</u>	-	-	-	-	-	-	-
Speed 3(CFM)	1630	1580	1500	1430	1370	1200	1000	<u>970</u>	-	-	-	-
Speed 4(CFM)	1840	1800	1750	1710	1640	1590	1500	1420	1330	1220	1100	<u>930</u>
Speed 5(CFM)	1870	1830	1810	1800	1760	1690	1620	1520	1440	1350	1250	<u>1150</u>

NOTE: Please refer to above table for fan speed selection, and '-' is not allowed to be used.