

QUICK REFERENCE DATA

*T6BF SERIES RESIDENTIAL SPLIT SYSTEM HEAT PUMP

16 SEER

MODEL NUMBER: *T6BF-0(*)K		24	30	36	42	48	
ELECTRICAL DATA	Volts-Cycles-Phase (1)		208/230-60-1				
	Total Amps		14.4	13.7	16.7	20.5	20.6
	Delay Fuse Max. (2)		30	25	30	40	40
	Min. Circuit Ampacity		17.7	16.9	20.2	25.0	25.1
CONDENSER DATA	Coil	Area	20.0	20.0	25.0	25.0	25.0
		Rows-FPI	1 - 14	1 - 14	1 - 14	1 - 16	1 - 16
		Tube Dia	MC				
	Fan Motor	Type	PSC		BLDC		
		Amps	0.9	0.9	2.6	2.6	2.6
		HP	0.13	0.13	0.33	0.33	0.33
	Compressor Data	RLA	13.4	12.8	14.1	17.9	18.0
LRA		58.3	64.0	77.0	112.0	117.0	
RECOMMENDED REFRIGERANT SUCTION LINE O.D.* NOTE: Liquid line is 3/8" O.D. for entire length.		0-24 ft.	3/4"	3/4"	7/8"	7/8"	7/8"
		25-39 ft.	3/4"	3/4"	7/8"	7/8"	7/8"
		40-75 ft.	3/4"	3/4"	7/8"	7/8"	7/8"
REFRIGERANT CHARGE: (R-410A) in ounces for outdoor unit, indoor unit and 15' line set. (5)		94	93	94	122	118	
APPROXIMATE WEIGHT (LBS.)		Net	DATA UNAVAILABLE AT TIME OF PRINT				
		Ship	DATA UNAVAILABLE AT TIME OF PRINT				

- (1) Operating Voltage Range: 187v min. — 253v max.
- (2) HACR Type Circuit Breakers may be used.
- (3) Requires 7/8" to 3/4" reducer from line to unit.
- (4) Requires 1 1/8" to 7/8" reducer from line to unit.
- (5) Additional charge for line sets above 15 feet. Values based on suction line as follows with 3/8" liquid line.
 - (a) 3/4" = 0.6 oz. per additional foot.
 - (b) 7/8" = 0.7 oz. per additional foot.
 - (c) 1 1/8" = 0.8 oz. per additional foot.

Table 1. Electrical Specifications & Physical Data

WIRE GAUGE	RECOMMENDED MAXIMUM WIRE LENGTH (FT) FROM UNIT TO THERMOSTAT
22	45
20	70
18	115
16	180

Table 2. Control Wiring (24V)

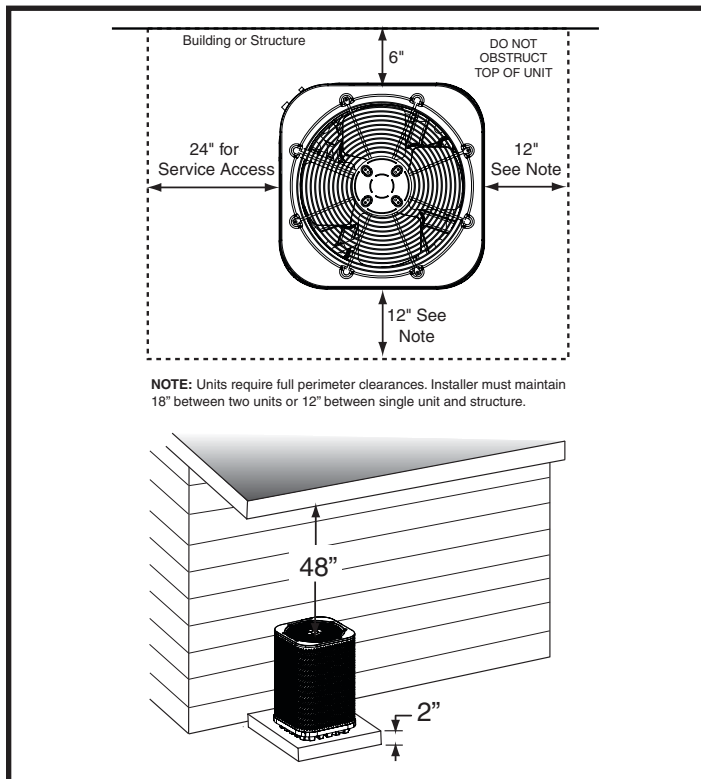
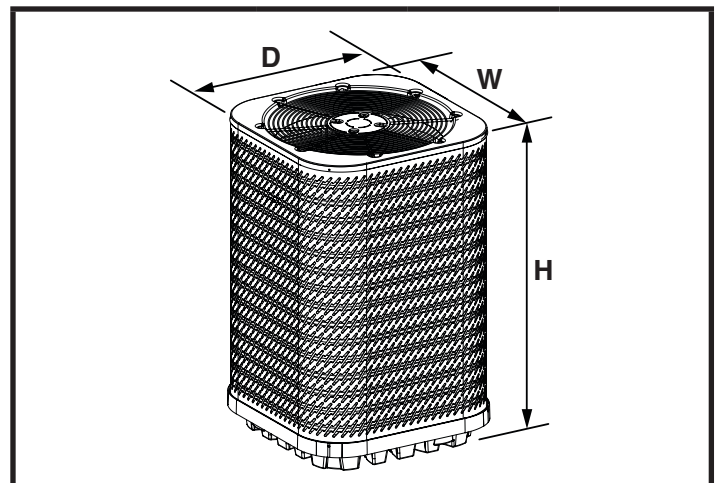


Figure 1. Clearance Requirements



MODEL NUMBER	HEIGHT (H)	WIDTH (W)	DEPTH (D)
*T6BF-024K	35 1/2"	30 3/4"	30 3/4"
*T6BF-030K	35 1/2"	30 3/4"	30 3/4"
*T6BF-036K	43"	30 3/4"	30 3/4"
*T6BF-042K	43"	30 3/4"	30 3/4"
*T6BF-048K	43"	30 3/4"	30 3/4"

Table 3. Unit Dimensions

Instructions:

1. Find the column for the model of outdoor unit that is being installed.
2. Find the row for the model of the indoor unit that is being installed.
3. Find the cell in the table in which this row and column meet. In this cell the appropriate orifice / TXV and charge addition for this match are listed. If the text in this cell is BOLD, then a change of orifice is necessary.
4. If a change in restrictor is necessary, then the appropriate restrictor will already be supplied with the outdoor unit.

Examples:

- For the *T6BF-024K / B6VMMX24K-B match the correct TXV is 669564 and no additional charge is necessary (NO CHANGES REQUIRED).
- For the *T6BF-042K / B6VMMX48K-C match the correct TXV is 669568 and no additional charge is necessary (NO CHANGES REQUIRED).

ID RESTRICTOR INSTALLED WITH ID UNIT	MODEL NUMBER: *T6BF-0(*)K		24	30	36	42	48
	OUTDOOR UNIT BOM CHARGE (OZ.)		94	93	94	122	118
	MODELS	SUPPLIED WITH ID	REQUIRED RESTRICTOR OR TXV (CHARGE ADDITION (OZ) / RATED AIRFLOW -SCFM)				
B6VMMX							
	B6VMMX24K-A	669564	669564 (0 / 900)	--	--	--	--
	B6VMMX24K-B	669564	669564 (0 / 900)	--	--	--	--
	B6VMMX30K-A	669565	--	669565 (0 / 1090)	--	--	--
	B6VMMX30K-B	669565	--	669565 (0 / 1090)	--	--	--
	B6VMMX36K-B	669566	--	--	669566 (0 / 1245)	--	--
	B6VMMX48K-C	669568	--	--	--	669568 (0 / 1320)	669568 (0 / 1435)

NOTES:

- The charges listed are only valid for the standard 15' lineset.
- Part numbers beginning with 669***are TXV part numbers and numbers listed as 0.*** are restrictor diameters.

**Table 4. REQUIRED RESTRICTOR OR TXV
(CHARGE ADDITION (OZ) / RATED AIRFLOW -SCFM)**

