

QUICK REFERENCE DATA

***T6BE SERIES RESIDENTIAL SPLIT SYSTEM HEAT PUMP WITH MICROCHANNEL COILS 14 SEER**

MODEL NUMBER: *T6BE		024K	030K	036K	042K	
ELECTRICAL DATA	Volts-Cycles-Phase (1)	208/230-60-1				
	Total Amps	9.2	10.8	13.4	19.4	
	Delay Fuse Max. (2)	15	20	25	40	
	Min. Circuit Ampacity	11.3	13.3	16.5	23.9	
CONDENSER DATA	Coil	Area	17.5	22.5	25.0	25.0
		Rows-FPI	1 - 14	1 - 14	1 - 14	1 - 14
		Tube Dia	MC			
	Fan Motor	Type	PSC			
		Amps	0.9	0.9	1.0	1.5
		HP	0.13	0.13	0.20	0.25
	Compressor Data	RLA	8.3	9.9	12.4	17.9
LRA		50.0	69.0	67.0	112.0	
Recommended Refrigerant suction line O.D.*		0-24 ft.	3/4"	3/4"	3/4"	7/8"
NOTE: Liquid line is 3/8" O.D. for entire length.		25-39 ft.	3/4"	3/4"	7/8" (3)	7/8"
		40-75 ft.	3/4"	3/4"	7/8" (3)	7/8"
REFRIGERANT CHARGE: R-410A in ounces for outdoor unit, indoor unit and 15' line set. (4)		100.0	99.0	115.0	123.0	
Approximate Weight (lbs.)	Net	147	161	168	188	
	Ship	160	174	183	204	

- (1) Operating Voltage Range: 187v min. — 253v max.
- (2) HACR Type Circuit Breakers may be used.
- (3) Requires 7/8" to 3/4" reducer from line to unit.
- (4) Requires 7/8" to 1-1/8" reducer from line to unit.
- (5) Additional charge for line sets above 15 feet. Values based on suction line as follows with 3/8" liquid line.
 - (a) 3/4" = 0.6 oz. per additional foot.
 - (b) 7/8" = 0.7 oz. per additional foot.
 - (c) 1 1/8" = 0.8 oz. per additional foot.
- For other line set dimensions, refer to the Application Guidelines for Refrigerant Lines Addendum.

THERMOSTAT WIRE GAUGE	MAXIMUM RECOMMENDED THERMOSTAT WIRE LENGTH (FT)
24	25
22	45
20	70
18	110

Table 1. Electrical Specifications & Physical Data

Table 2. Thermostat Wire

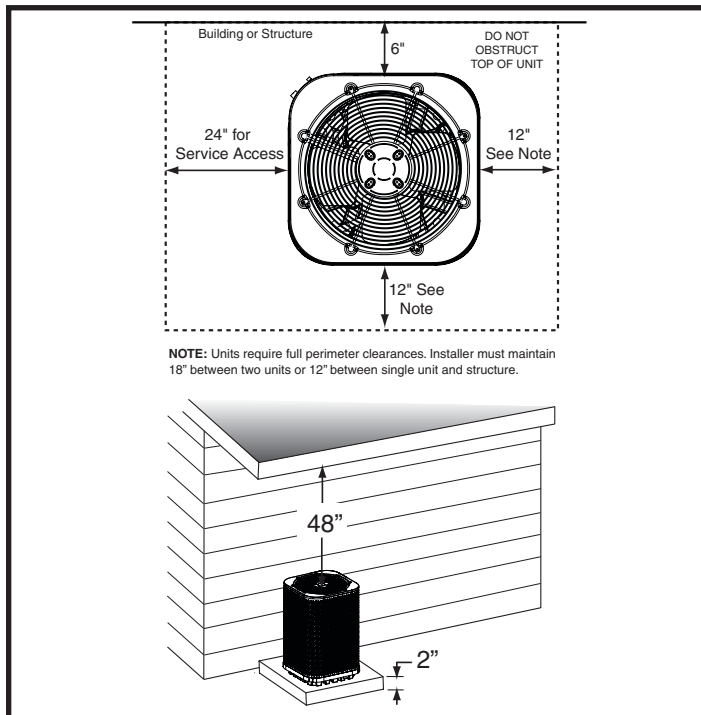


Figure 1. Clearance Requirements

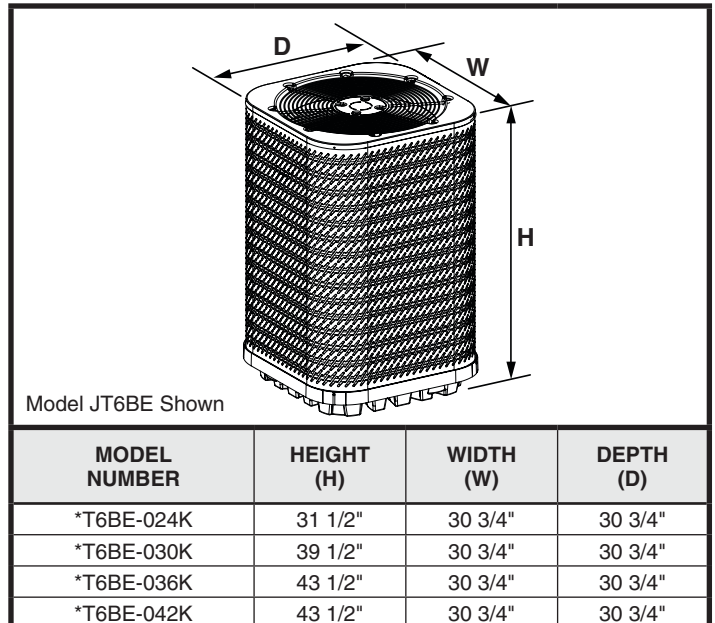


Table 3. Unit Dimensions

Instructions:

1. Find the column for the model of outdoor unit that is being installed.
2. Find the row for the model of the indoor unit that is being installed.
3. Find the cell in the table in which this row and column meet. In this cell the appropriate orifice / TXV and charge addition for this match are listed. If the text in this cell is BOLD, then a change of orifice is necessary.
4. If a change in restrictor is necessary, then the appropriate restrictor will already be supplied with the outdoor unit.

Examples:

- For the *T6BE-030K / B6BMM030K-A match the appropriate restrictor is the .061" and 6 ounces of refrigerant needs to be added (CHANGE IN INDOOR RESTRICTOR AND CHARGE ADDITION).
- For the *T6BE-036K / B6EMMX36K-B match the appropriate TXV is 669566 and no additional charge needs to be added (NO CHANGES NECESSARY).

MODEL NUMBER: *T6BE		024K	030K	036K	042K
ID RESTRICTOR SUPPLIED WITH OD UNIT:		0.058	0.061	N/A	N/A
OD RESTRICTOR INSTALLED IN OD UNIT:		0.043	0.049	0.056	0.055
OUTDOOR UNIT BOM CHARGE (OZ.)		100	99	115	123
MODELS	SUPPLIED WITH ID	REQUIRED RESTRICTOR OR TXV (CHARGE ADDITION (OZ) / RATED AIRFLOW (SCFM))			
B6BMM0					
B6BMM024K-A	0.055	0.058 (2 / 810)	--	--	--
B6BMM024K-B	0.055	0.058 (2 / 810)	--	--	--
B6BMM030K-A	0.062	--	0.061 (6 / 885)	--	--
B6BMM030K-B	0.062	--	0.061 (6 / 885)	--	--
B6BW					
B6BW-024K(*)	0.057	0.057 (-13 / 790) †	--	--	--
B6EM					
B6EMMX36K-B	669566	--	--	669566 (0 / 1265)	--
B6EMMX42K-B	669567	--	--	--	669567 (0 / 1375)
B6BMMX					
B6BMMX24K-A	669564	669564 (0 / 810)	--	--	--
B6BMMX24K-B	669564	669564 (0 / 810)	--	--	--
B6BMMX30K-A	669565	--	669565 (0 / 895)	--	--
B6BMMX30K-B	669565	--	669565 (0 / 895)	--	--
B6VMMX					
B6VMMX36K-B	669566	--	--	669566 (0 / 1265)	--
B6VMMX42K-B	669567	--	--	--	669567 (0 / 1375)

NOTES:

- The charges listed are only valid for the standard 15' lineset.
- Part numbers beginning with 669***are TXV part numbers and numbers listed as 0.*** are restrictor diameters.
- † This match requires refrigerant to be removed from the system for a standard 15' installation

Table 4. Restrictor or TXV / Charge Addition (Oz)

OD UNIT	ID UNIT	FACTORY INSTALLED RESTRICTOR	CORRECT OUTDOOR RESTRICTOR
T6BE-018KA	B6BW-024K()	0.043	0.047

Table 5. O.D. Restrictor

