

# WIRING DIAGRAM

## Convertible Packaged Heat Pump

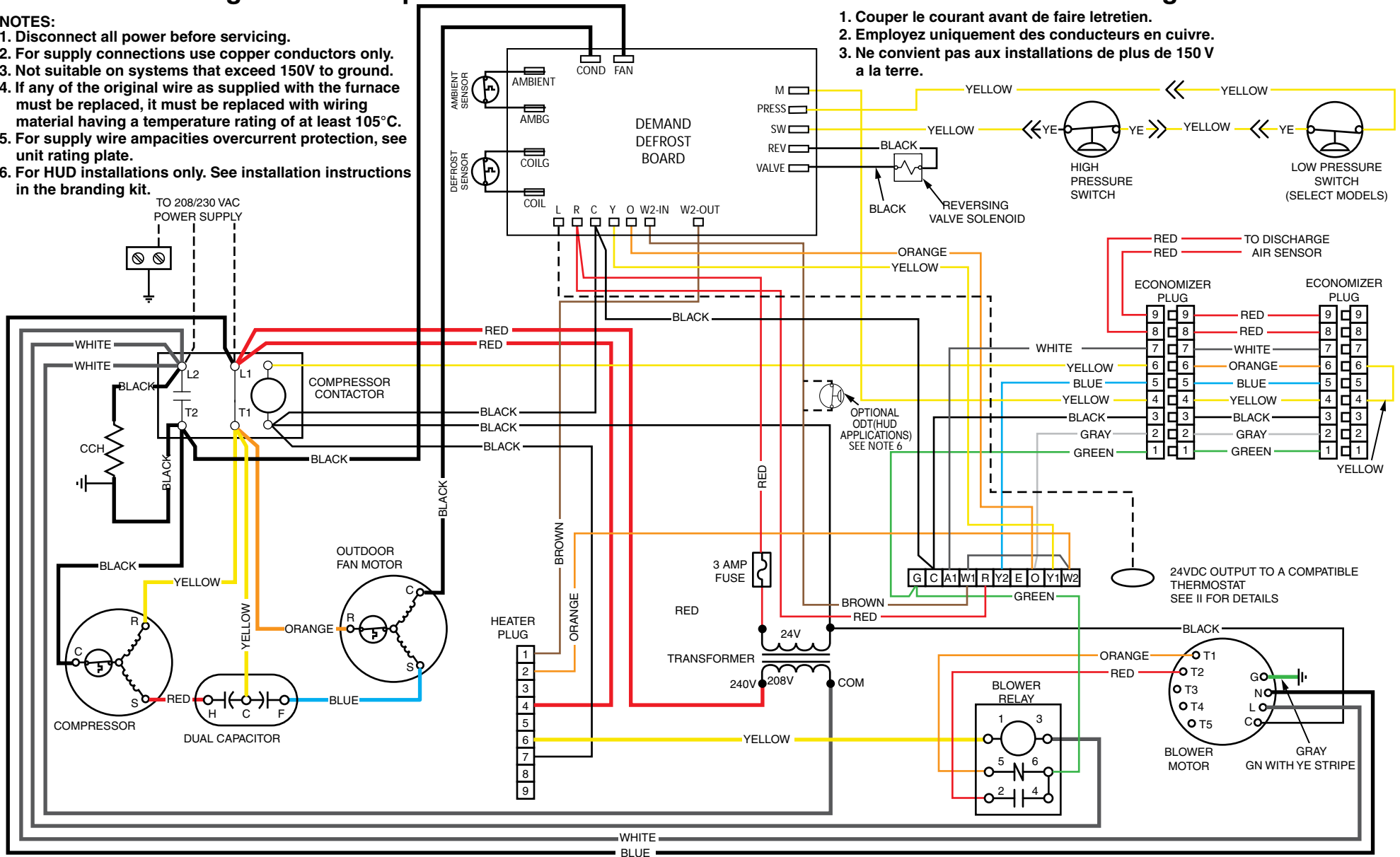
208/230 Volt

Single Phase 60Hz

### NOTES:

1. Disconnect all power before servicing.
2. For supply connections use copper conductors only.
3. Not suitable on systems that exceed 150V to ground.
4. If any of the original wire as supplied with the furnace must be replaced, it must be replaced with wiring material having a temperature rating of at least 105°C.
5. For supply wire ampacities overcurrent protection, see unit rating plate.
6. For HUD installations only. See installation instructions in the branding kit.

1. Couper le courant avant de faire letretien.
2. Employez uniquement des conducteurs en cuivre.
3. Ne convient pas aux installations de plus de 150 V a la terre.



### DEFROST BOARD OPERATION:

- 1 Heat Pump operates in heating mode until the combination of outdoor ambient and outdoor coil temperatures initiate a defrost cycle. The outdoor coil temperature must be at or below 32°F before the defrost cycle begins.
- 2 There must be a minimum of 20 minutes between defrost cycles. After this time, temperature conditions must call for defrost continuously for 4 1/2 minutes before a defrost cycle is initiated.
- 3 The defrost cycle ends when the outdoor temperature reaches 32°F or the defrost terminate time of 13 minutes 39 seconds is reached.

NOTE: See Installation Instructions for wiring, application, and Information concerning accessory Heat Kits and other options.

### LEGEND:

FIELD WIRING	---
LOW VOLTAGE	—
HIGH VOLTAGE	—



1021495A  
(Replaces 10214950)

04/20