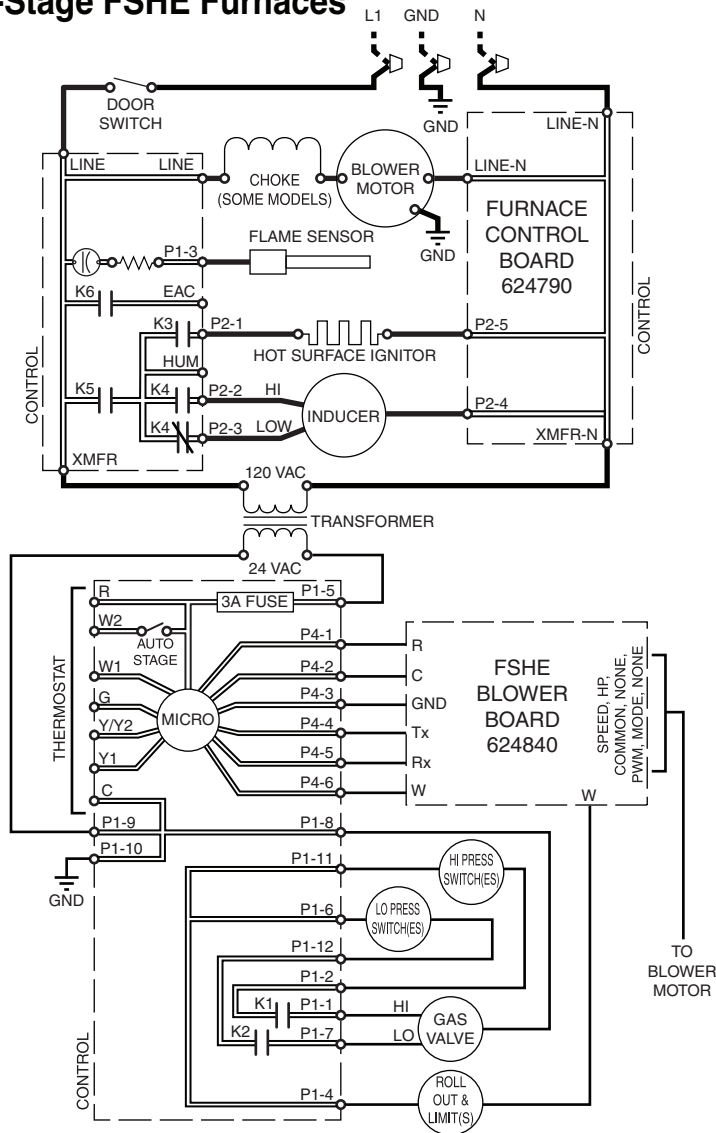


LADDER DIAGRAM

2-Stage FSHE Furnaces



10331330
(NEW)

06/2020