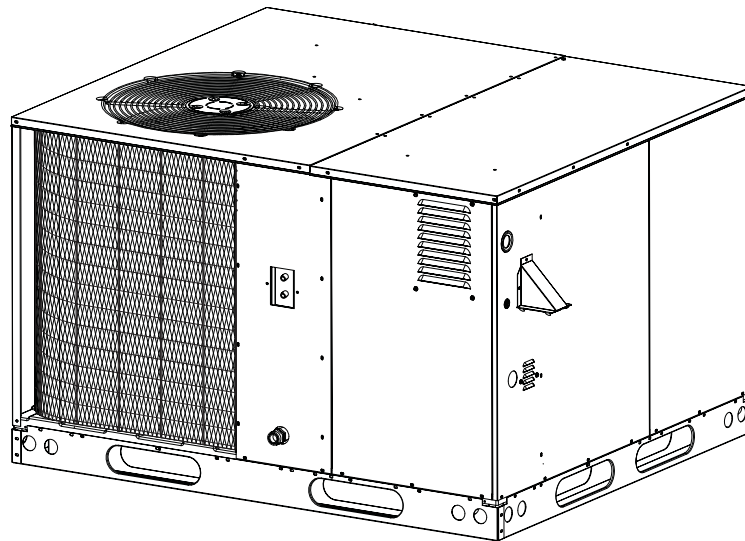

TECHNICAL SPECIFICATIONS

R4GD Series

R4GD 13 SEER 2 - 5 Ton Units

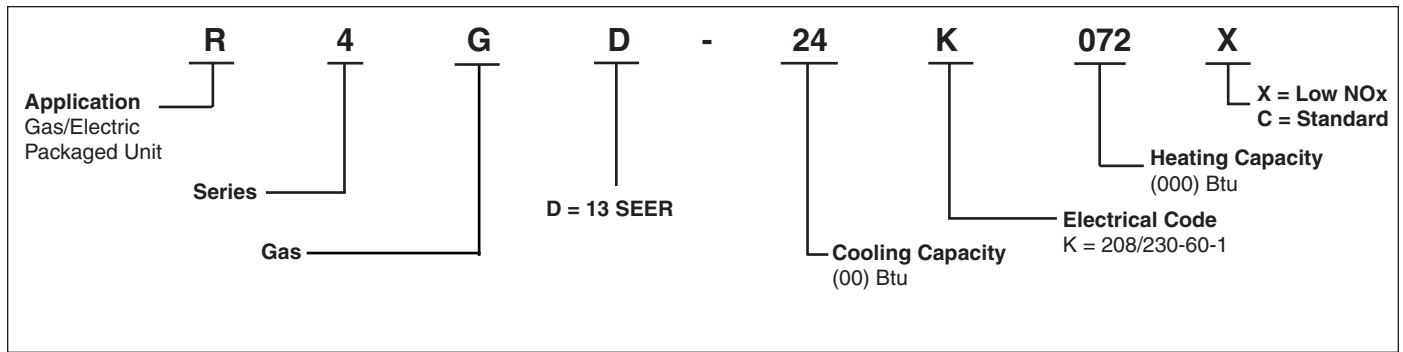
The R4GD Series single packaged gas/electrics are high efficiency self contained cooling units that can be installed on the roof or on a slab. The convertible unit design makes installations simple in all applications. Units are ETL and ETLc listed.



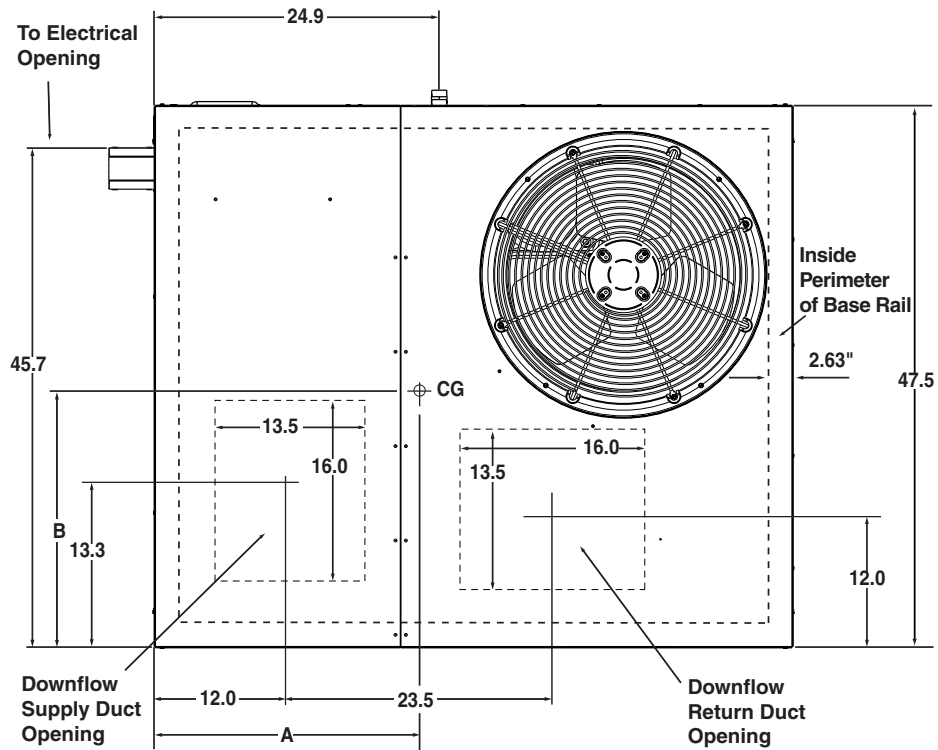
FEATURES AND BENEFITS

- **Compact Footprint/Low Profile**
Easy to handle and transport.
- **Heavy-Gauge, Full Perimeter Base Rails**
Facilitates forklift handling and curb mounting.
- **Convertible Air Delivery**
Horizontal or downflow to accommodate rooftop or horizontal application.
- **Galvanized Steel Cabinet**
with polyurethane finish provides 950 hour salt spray protection to resist corrosion.
- **Plastic Coated Coil Guard and Mesh Hail Guard**
Will never rust and protect the coil from being damaged by balls, lawnmowers, hail etc.
- **Accessible Service Ports**
Quick access to refrigerant system without disrupting operation.
- **Access to Controls and Major Components**
Easy in and out service.
- **Corrosion-Resistant Drain Pan**
Quickly drains away evaporator condensate.
- **Smaller Panels, Great Fit and Finish, Total Seal**
Well-designed, quality construction. Drip edge on top panels whisks away rainwater. Embossed bottom pan keeps blower component compartment dry.
- **Proven, Industry Standard Components**
Easier service and availability.
- **Quiet Operation**
Low vibration. 20" fan blade combined with custom venturi condenser fan.
- **1 Year Limited Parts Warranty**
- **1 Year Limited Labor Warranty**
- **5 Year Limited Compressor Warranty**

MODEL IDENTIFICATION CODE



DIMENSIONS

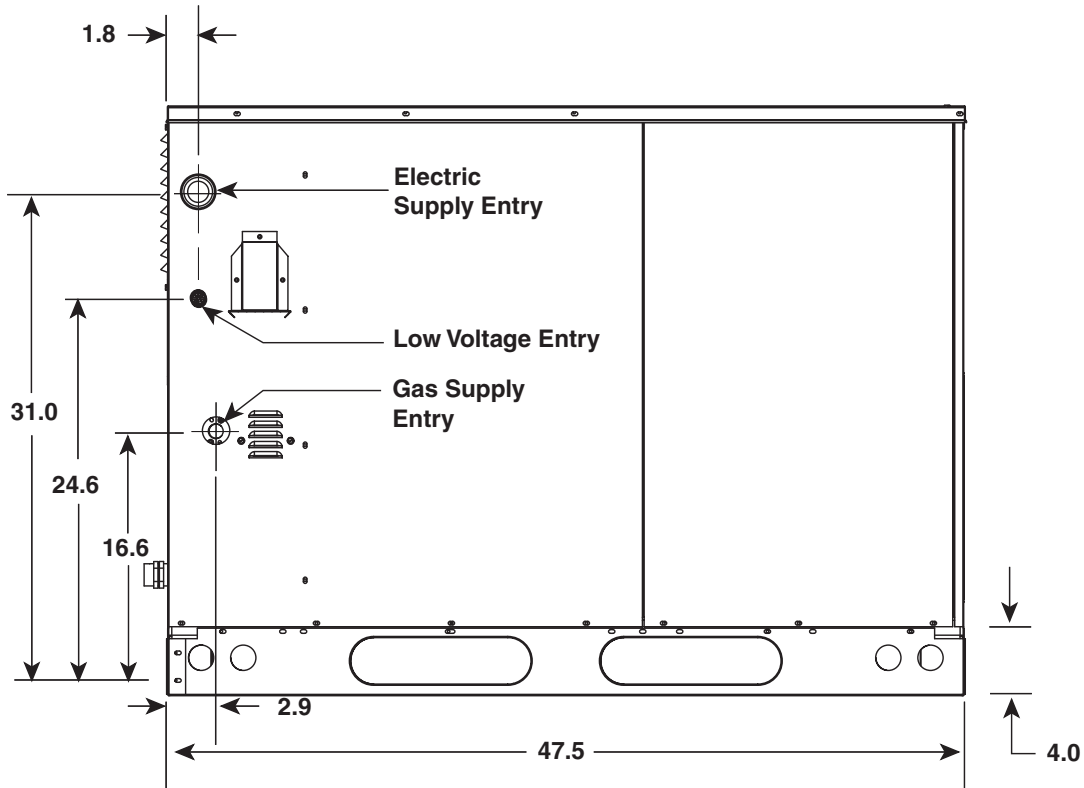


Top View

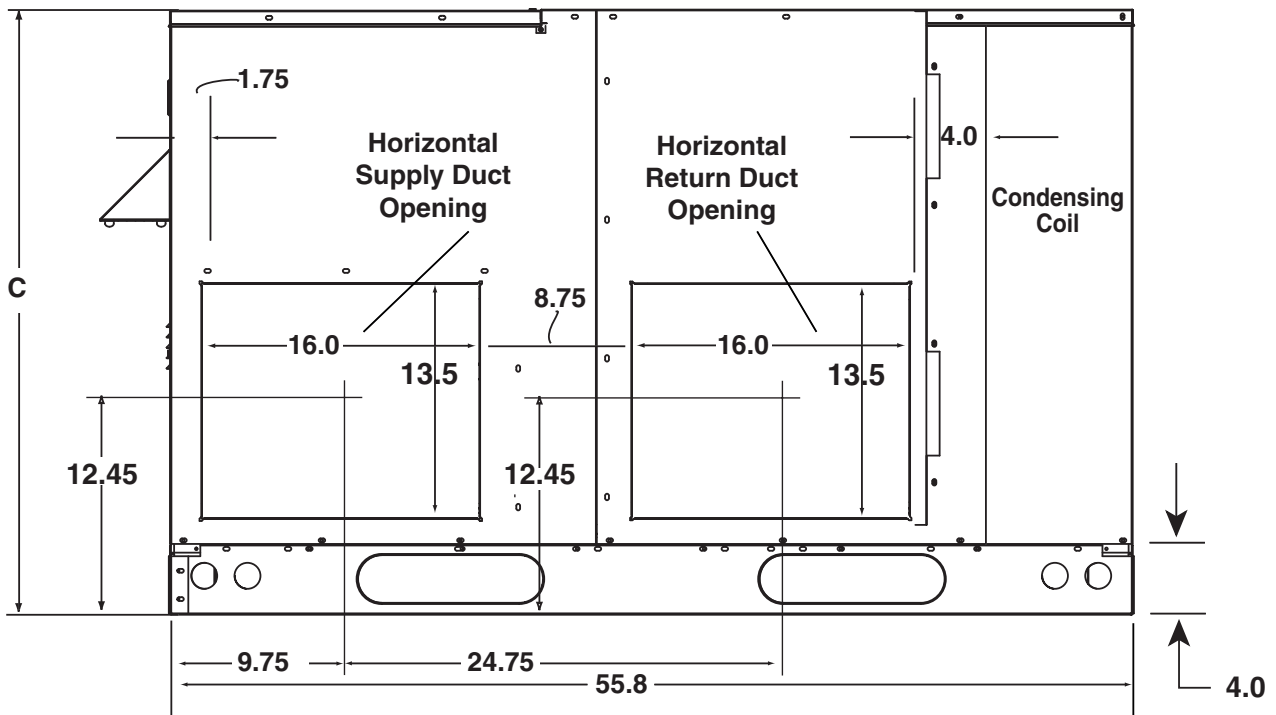
Model Number	Unit Weight	Shipping Weight	Center of Gravity		Height (in inches)	
			A	B	C	
					with base rails	without base rails
024K045†	425	435	26.5	26.5	39.0	35.3
024K072†	435	445	26.0	26.5	39.0	35.3
030K045†	430	440	26.5	26.5	39.0	35.3
030K072†	440	450	26.0	26.5	39.0	35.3
036K072†	470	480	26.5	26.5	39.0	35.3
036K096†	485	495	26.0	26.5	39.0	35.3
042K072†	500	510	27.0	26.5	39.0	35.3
042K096†	515	525	27.0	26.5	39.0	35.3
048K096†	540	550	27.5	26.5	43.0	39.3
048K120†	555	565	27.5	26.5	43.0	39.3
060K096†	560	570	27.5	26.5	43.0	39.3
060K120†	575	585	27.5	26.5	43.0	39.3

† Denotes either "C" or "X"

DIMENSIONS (Continued)



Side View



Back View

SPECIFICATIONS AND ELECTRICAL DATA

SINGLE PHASE

MODEL R4GD	-024K045(*)	-024K072(*)	-030K045(*)	-030K072(*)	-036K072(*)	-036K096(*)	-042K72(*)	-042K96(*)	-048K96(*)	-48K120(*)	-060K096(*)	-060K120(*)
Performance												
Heating Input Btuh	45,000	72,000	45,000	72,000	72,000	96,000	72,000	96,000	96,000	120,000	96,000	120,000
Heating Output Btuh	35,000	56,000	35,000	56,000	56,000	75,000	56,000	75,000	75,000	94,000	75,000	94,000
Capacity-Cooling Btuh	23,000	23,000	28,000	28,000	35,000	35,000	40,000	40,000	46,000	46,000	55,000	55,000
AFUE	78	78	78	78	78	78	78	78	78	78	78	78
Efficiency -- SEER	13.00	13.00	13.00	13.00	13.00	13.00	13.00	13.00	13.00	13.00	13.00	13.00
Efficiency -- EER	11.4	11.4	11.0	11.0	10.9	10.9	11.0	11.0	10.5	10.5	10.3	10.3
Electrical Rating - 60 Hz												
Phase	1	1	1	1	1	1	1	1	1	1	1	1
Operating Voltage Range	187 - 253	187 - 253	187 - 253	187 - 253	187 - 253	187 - 253	187 - 253	187 - 253	187 - 253	187 - 253	187 - 253	187 - 253
Minimum Circuit Ampacity	20.00	20.00	25	25	25.5	25.5	34.1	34.1	35.8	35.8	42.5	42.5
Max. Overcurrent Protection	30	30	40	40	40	40	50	50	50	50	70	70
Compressor Data												
Volts	208 / 230	208 / 230	208 / 230	208 / 230	208 / 230	208 / 230	208 / 230	208 / 230	208 / 230	208 / 230	208 / 230	208 / 230
Rated Load Amps	11.6	11.6	15.7	15.7	16	16	21.5	21.5	22.5	22.5	28.2	28.2
Lock Rotor Amps	54	54	68	68	77	77	104	104	137	137	141	141
Indoor Blower												
Wheel Diameter	10 x 10	10 x 10	10 x 10	10 x 10	10 x 10	10 x 10	10 x 10	10 x 10	10 x 10	10 x 10	10 x 10	10 x 10
Motor Type	Fixed Torque	Fixed Torque	Fixed Torque	Fixed Torque	Fixed Torque	Fixed Torque	Fixed Torque	Fixed Torque	Fixed Torque	Fixed Torque	Fixed Torque	Fixed Torque
Motor HP	1/2	1/2	1/2	1/2	1/2	1/2	3/4	3/4	3/4	3/4	3/4	3/4
Motor Amps	4.1	4.1	4.1	4.1	4.1	4.1	6.0	6.0	6.0	6.0	6.0	6.0
Outdoor Fan												
Motor HP	1/4	1/4	1/8	1/8	1/4	1/4	1/4	1/4	1/4	1/4	1/4	1/4
Motor Amps	1.2	1.2	1.2	1.2	1.2	1.2	1.2	1.2	1.2	1.2	1.2	1.2
Fan Diameter/CFM	20" / 3500	20" / 3500	20" / 3500	20" / 3500	20" / 3500	20" / 3500	20" / 3500	20" / 3500	20" / 3500	20" / 3500	20" / 3500	20" / 3500
Refrigerant Charge (oz)	89.6	89.6	93.4	93.4	100	100	192	192	216	216	188.8	188.8

* Can be either C or X

AIRFLOW DATA

Model Number (*JR4GD-	Heating Input (BTUh)	Heating Output (BTUh)	Heating Rise Range(F)	Cooling Output (BTUh)	Motor Tap	Blower Size	Motor HP	External Static Pressure (Inches Water Column)																	
								0.1		0.2		0.3		0.4		0.5		0.6		0.7		0.8			
								CFM	Rise	CFM	Rise	CFM	Rise	CFM	Rise	CFM	Rise	CFM	Rise	CFM	Rise	CFM	Rise	CFM	Rise
24K045(†)	45,000	35,000	30-60	23,000	T1	10 X 10	1/2	845	38	735	44	625	52	540	60	453	72	375	217	207	207				
					**T2			905	36	830	39	690	47	635	51	575	56	515	55	495	55	495	55		
					**T3			950	34	880	37	810	40	755	43	705	46	665	49	600	54	600	54	600	54
					T4			1110	--	1065	30	1020	32	965	34	910	36	865	37	825	39	790	41	790	41
					T5			1260	--	1215	--	1175	--	1125	--	1075	30	1030	31	990	33	960	34	960	34
24K072(†)	72,000	56,000	40-70	23,000	T1	10 X 10	1/2	845	57	830	62	750	69	690	--	635	--	575	--	515	--	495	--		
					**T2			950	55	880	59	810	64	765	69	705	--	665	--	600	--	570	--		
					T3			1110	47	1065	49	1020	51	965	54	910	57	865	60	825	63	790	66	790	66
					T4			1260	41	1215	43	1175	44	1125	46	1075	48	1030	50	990	52	960	54	960	54
					T5			845	38	735	44	625	52	540	60	453	72	375	217	207	207	207	207	207	207
30K045(†)	45,000	35,000	30-60	28,000	T1	10 X 10	1/2	905	36	830	39	750	43	690	47	635	51	575	56	515	--	495	--		
					**T2			950	34	880	37	810	40	755	43	705	46	665	49	600	54	570	57	570	57
					*T3			1110	--	1065	30	1020	32	965	34	910	36	865	37	825	39	790	41	790	41
					T4			1260	--	1215	--	1175	--	1125	--	1075	30	1030	31	990	33	960	34	960	34
					T5			845	61	735	--	625	--	540	--	453	--	335	--	217	--	207	--	207	--
30K072(†)	72,000	56,000	40-70	28,000	T1	10 X 10	1/2	905	57	830	62	750	69	690	--	635	--	575	--	515	--	495	--		
					**T2			950	55	880	59	810	64	765	69	705	--	665	--	600	--	570	--		
					T3			1110	47	1065	49	1020	51	965	54	910	57	865	60	825	63	790	66	790	66
					T4			1260	41	1215	43	1175	44	1125	46	1075	48	1030	50	990	52	960	54	960	54
					T5			950	55	880	59	810	64	765	69	705	--	665	--	600	--	570	--		
36K072(†)	72,000	56,000	40-70	35,000	T1	10 X 10	1/2	1110	47	1065	49	1020	51	965	54	910	57	865	60	825	63	790	66		
					T2			1260	41	1215	43	1175	44	1125	46	1075	48	1030	50	990	52	960	54	960	54
					T3			950	55	880	59	810	64	765	69	705	--	665	--	600	--	570	--		
					**T4			1110	47	1065	49	1020	51	965	54	910	57	865	60	825	63	790	66	790	66
					T5			1260	41	1215	43	1175	44	1125	46	1075	48	1030	50	990	52	960	54	960	54
36K096(†)	96,000	75,000	45-75	35,000	T1	10 X 10	1/2	1020	51	940	55	860	60	800	65	740	70	680	--	615	--	570	--		
					T2			1185	44	1110	47	1035	50	980	53	925	56	875	59	820	63	785	66	785	66
					T3			1410	37	1330	39	1250	41	1195	43	1140	45	1085	48	1030	50	975	53	975	53
					**T4			1525	--	1450	--	1370	--	1320	--	1270	41	1210	43	1150	45	1100	47	1100	47
					T5			1650	--	1585	--	1520	--	1465	--	1405	49	1340	52	1280	41	1235	42	1235	42
42K072(†)	72,000	56,000	40-70	40,000	T1	10 X 10	3/4	1020	68	940	74	860	--	800	--	740	--	680	--	615	--	570	--		
					T2			1185	59	1110	63	1035	67	980	58	925	61	875	64	820	67	785	71	785	71
					*T3			1410	49	1330	52	1250	56	1195	58	1140	61	1085	64	1030	67	975	63	975	63
					**T4			1525	46	1450	48	1370	51	1320	53	1270	55	1210	57	1150	60	1100	63	1100	63
					T5			1650	--	1585	--	1520	46	1465	47	1405	49	1340	52	1280	54	1235	56	1235	56
42K096(†)	96,000	75,000	45-75	40,000	T1	10 X 10	3/4	1185	59	1110	63	1035	67	980	71	925	75	875	--	820	--	785	--		
					T2			1410	49	1330	52	1250	56	1195	58	1140	61	1085	64	1030	67	975	63	975	63
					*T3			1525	46	1450	48	1370	51	1320	53	1270	55	1210	57	1150	60	1100	63	1100	63
					**T4			1650	--	1585	--	1520	46	1465	47	1405	49	1340	52	1280	54	1235	56	1235	56
					T5			1775	--	1715	--	1650	--	1600	--	1540	45	1460	48	1375	51	1330	52	1330	52
48K096(†)	120,000	94,000	45-75	46,000	T1	10 X 10	3/4	1185	73	1110	77	1035	--	980	--	925	--	875	--	820	--	785	--		
					T2			1410	62	1330	65	1250	70	1195	73	1140	75	1085	78	1030	83	975	71	975	71
					T3			1525	57	1450	60	1370	64	1320	66	1270	69	1210	72	1150	75	1100	78	1100	78
					*T4			1650	53	1585	55	1520	57	1465	59	1405	62	1340	65	1280	68	1235	70	1235	70
					**T5			1775	49	1715	51	1650	53	1600	54	1540	57	1460	60	1375	63	1330	65	1330	65
60K096(†)	96,000	75,000	45-75	55,000	T1	10 X 10	3/4	1185	59	1110	63	1035	67	980	71	925	75	875	--	820	--	785	--		
					T2			1410	49	1330	52	1250	56	1195	58	1140	61	1085	64	1030	67	975	63	975	63
					T3			1525	46	1450	48	1370	51	1320	53	1270	55	1210	57	1150	60	1100	63	1100	63
					*T4			1650	--	1585	--	1520	46	1465	47	1405	49	1340	52	1280	54	1235	56	1235	56
					**T5			1775	--	1715	--	1650	--	1600	--	1540	45	1460	48	1375	51	1330	52	1330	52
60K120(†)	120,000	94,000	45-75	46,000	T1	10 X 10	3/4	1185	73	1110	77	1035	--	980	--	925	--	875	--	820	--	785	--		
					T2			1410	62	1330	65	1250	70	1195	73	1140	75	1085	78	1030	83	975	71	975	71
					T3			1525	57	1450	60	1370	64	1320	66	1270	69	1210	72	1150	75	1100	78	1100	78
					*T4			1650	53	1585	55	1520	57	1465	59	1405	62	1340	65	1280	68	1235	70	1235	70
					**T5			1775	49	1715	51	1650	53	1600	54	1540	57	1460	60	1375	63	1330	65	1330	65
60K096(†)	96,000	75,000	45-75	55,000	T1	10 X 10	3/4	1185	59	1110	63	1035	67	980	71	925	75	875	--	820	--	785	--		
					T2			1410	49	1330	52	1250	56	1195	58	1140	61	1085	64	1030	67	975	63	975	63
					T3			1525	46	1450	48	1370	51	1320	53	1270	55	1210	57	1150	60	1100	63	1100	63
					*T4			1650	--	1585	--	1520	46	1465	47	1405	49	1340	52	1280	54	1235	56	1235	56
					**T5			1775	--	1715	--	1650	--	1600	--	1540	45	1460	48	1375	51	1330	52	1330	52
60K120(†)	120,000	94,000	45-75	55,000	T1	10 X 10	3/4	1185	73	1110	77	1035	--	980	--	925	--	875	--	820	--	785	--		
					T2			1410	62	1330	65	1250	70	1195	73	1140	75	1085	78	1030	83	975	71	975	71
					T3			1525	57	1450	60	1370	64	1320	66	1270	69	1210	72	1150	75	1100	78	1100	78
					*T4			1650	53	1585	55	1520	57	1465	59	1405	62	1340	65	1280	68	1235	70	1235	70
					**T5			1775	49	1715	51	1650													

R4GD ACCESSORIES

Description	Part Number
Roof Curb (8")	547830
Roof Curb (14")	547831
Roof Curb (18")	547850
Roof Curb (24")	547851
Cap, Duct Adapter, 12" Round	913811A
Cap, Duct Adapter, 14" Round	913812A
Filter Kit R4GD 024	547886
Filter Kit R4GD 030 - 042	547888
Filter Kit R4GD 048 - 060	547889
Filter Kit, All Downflow Applications (not required with economizer)	547885
Low Ambient Kit	913549A
High Pressure Switch Kit	913550
Low Pressure Switch Kit	913551
U.S. LP Gas Conversion Kit (0 ft to 10,000 ft above sea level)	904090A
Canadian LP Gas Conversion Kit (0 to 4,500 ft above sea level)	904091A
Outdoor Thermostat Kit	913852
Universal Hard Start Kit	912933

We Encourage
Professionalism
Through Technician
Certification by NATE



O'Fallon, MO

NORDYNE

183C-0306 (Replaces 183C-0206)

Before purchasing this appliance, read important energy cost and efficiency information available from your retailer. Specifications and illustrations subject to change without notice and without incurring obligations. Printed in U.S.A. (03/06)