

TECHNICAL SPECIFICATIONS

JT4BD Series 13 SEER

13 SEER 3 Phase Light Commercial R-410A High Efficiency Heat Pump, 8.0 HSPF

3, 4, 5 Ton Capacities

The JT4BD Series of heat pumps offers exceptional performance with environmentally friendly R-410A refrigerant. The heat pump, when combined with our engineered coils or air handlers, offers a full line of quality, split system heating and cooling equipment. Units are ideally sized for slab or rooftop mounting in light commercial applications.



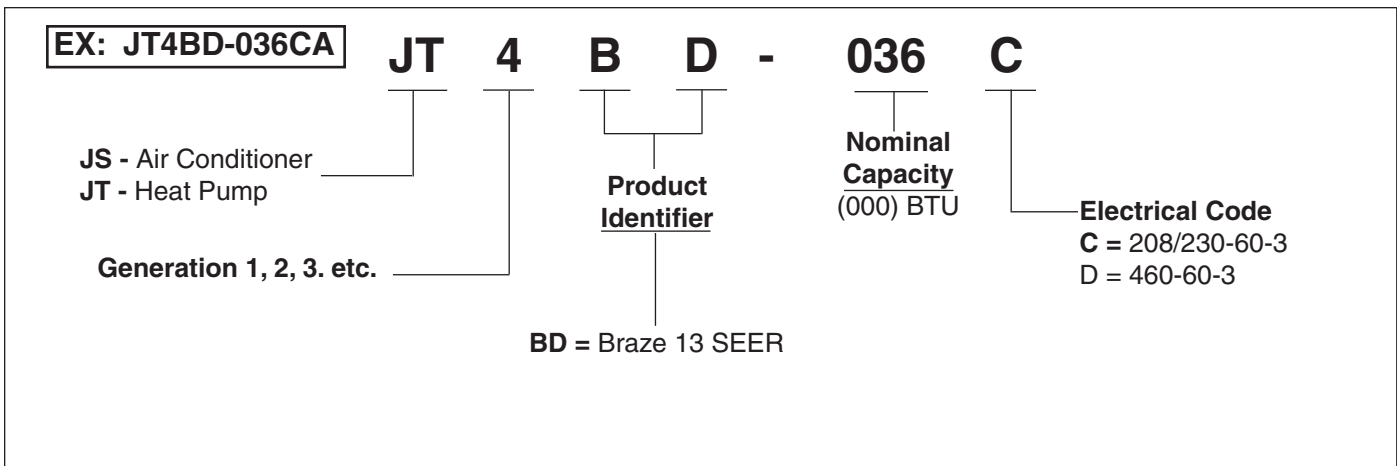
WARRANTY

- One year commercial parts
- 5 year compressor warranty

FEATURES and BENEFITS

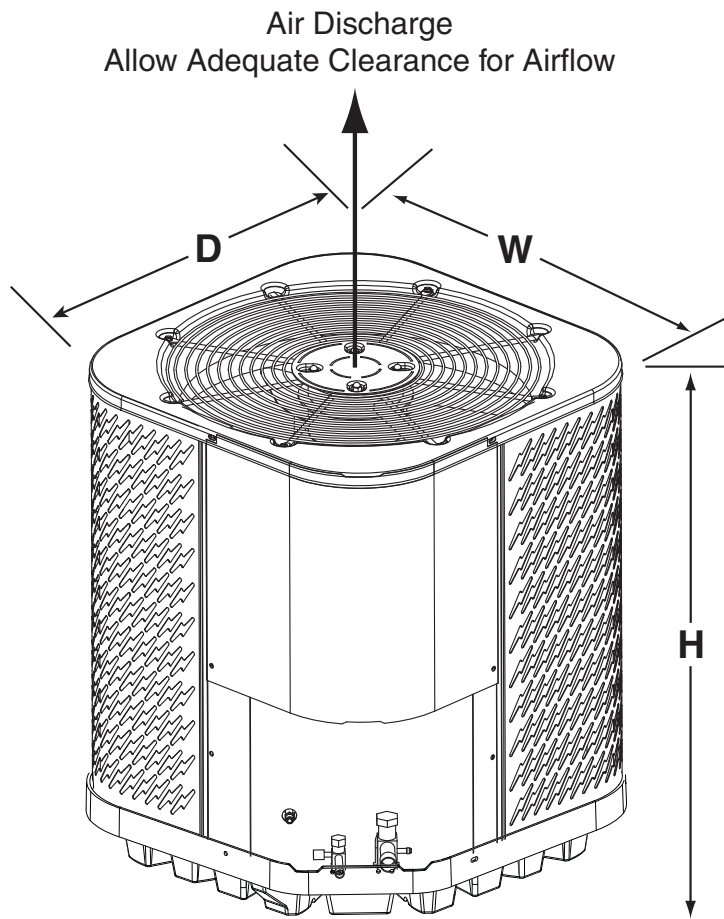
- **Durable, Attractive Cabinet** – Designed using galvanized steel with a polyester urethane finish. The 950 hour salt spray finish resists corrosion 50% better than comparable units.
- **Composite Base Pan** – Absorbs sound and is corrosion resistant. Composite is also stronger and lighter than steel.
- **Copper Tube / Aluminum Fin Coils** – Outdoor coils are designed to optimize heat transfer, minimize size and cost, and increase durability and reliability.
- **Permanently Lubricated Motor** – A heavy duty PSC motor for long lasting reliability and quiet operation. Requires no maintenance and is completely protected from rain and snow.
- **Full Service Valves** – These brass valves are easily accessible and simplify servicing of the refrigeration system.
- **Time / Temperature Defrost** – A reliable, industry standard control offers various time settings to meet any type climate.
- **Removable Top Grille Assembly** – Allows ease of service from the top without disconnecting fan motor leads.
- **Liquid Line Filter Drier** – Included with unit, field installed.
- **One Piece Top/Orifice** – Designed for maximum airflow and quiet operation.
- **High Pressure Switch** – Protects against abnormally high system pressures. Auto-reset feature prevents nuisance service visits.
- **Common Suction Service Port** – This port allows the contractor to read the suction pressure in all modes of operation without removing any panels, saving time and increasing serviceability.
- **Five Minute Restart Time Delay** – When the unit shuts down, a five minute delay keeps the unit from restarting, eliminating the highest cause for compressor failure.
- **Suction Accumulator and Crankcase Heat** – Protection from liquid flood back and future compressor failures.
- **Hot Gas Muffler** – Reduces compressor noise and vibration.
- **Easy Compressor and Control Access** – Designed to make servicing easier for the contractor, access panels are provided to all controls and the compressor from the side of the unit.
- **Complete metal wrapper** – Protects the unit coil from being damaged.

MODEL IDENTIFICATION CODES



DIMENSIONS HEAT PUMP OUTDOOR SECTION

JT4BD	036C/D	048C/D	060C/D
H	43	43	43
W	30-3/4	30-3/4	30-3/4
D	30-3/4	30-3/4	30-3/4



PHYSICAL AND ELECTRICAL SPECIFICATIONS / OUTDOOR UNITS

13 SEER — High Efficiency — Three Phase

Model No. JT4BD-		036C	048C	060C	036D	048D	060D	
Electrical Data	Volts-Cycles-Phase (1)	208/230-60-3	208/230-60-3	208/230-60-3	460-60-3	460-60-3	460-60-3	
	Total Amps	11.4	15.1	17	6.4	6.9	8.4	
	Delay Fuse Max. (2)	20	30	35	15	15	15	
	Min. Circuit Ampacity	14.1	18.5	20.9	7.8	8.5	10.4	
Component Data	Coil	Area	25.4	25.4	25.4	25.4	25.4	25.4
		Rows-FPI	1-20	2-16	2-16	2-16	2-16	2-16
		Tube Dia.	3/8 O.D.	3/8 O.D.	3/8 O.D.	3/8 O.D.	3/8 O.D.	3/8 O.D.
	Fan Motor	Type	PSC	PSC	PSC	PSC	PSC	PSC
		Amps	1.0	1.4	1.4	0.6	0.7	0.7
		HP	1/4	1/4	1/4	1/5	1/4	1/4
	Fan Blade	Dia.-#Blades	24 in. - 3	24 in. - 3	24 in. - 3	24 in. - 3	24 in. - 3	24 in. - 3
		SCFM	3300	3800	3800	3300	3800	3800
	Compressor Data*	RLA	10.4	13.7	15.6	5.8	6.2	7.7
		LRA	73	83.1	110	38	41	52
Refrigerant Suction Line-Length/O.D. (all length of liquid line are 3/8" O.D.)	0-24 ft.	3/4"	7/8"	7/8"	7/8"	7/8"	7/8"	
	25-39 ft.	7/8"	7/8"	1-1/8" (3)	1-1/8" (3)	1-1/8" (3)	1-1/8" (3)	
	40-75 ft.	7/8"	7/8"	1-1/8" (3)	1-1/8" (3)	1-1/8" (3)	1-1/8" (3)	
Refrigerant Charge (R-410A) in ounces for outdoor unit, indoor unit and 15' linset.		168	248	248	166	248	248	
Weight Approximate (lbs.)	Net	181	280	290	290	290	290	
	Ship	190	295	305	305	305	305	

- (1) Operating voltage range: 198v minimum - 253v maximum
- (2) HACR type circuit breakers may be used
- (3) Requires 7/8" to 1-1/8" reducer from line to unit.

ACCESSORIES

COPPER WIRE SIZE — AWG (1% Voltage Drop)				
Supply Wire Length-Feet				Supply Circuit
200	150	100	50	Ampacity
6	8	10	14	15
4	6	8	12	20
4	6	8	10	25
4	4	6	10	30
3	4	6	8	35
3	4	6	8	40
2	3	4	6	45
2	3	4	6	50

Low Ambient Kit	918837
Low Pressure Switch	913551
Mammoth logo kit for B(5,6) air handlers and single phase package equipment	904196
Fan Delay Kit	918476
High Wind Kit	920900

Wire Size based on N.E.C. for 60° type copper conductors.

SYSTEM HEATING & COOLING CAPACITIES

13 SEER — High Efficiency — Three Phase

Outdoor Unit JT4BD-	Indoor Unit	Cooling Capacity Btuh	SEER	EER	Heating Capacity BTUH @ 47°F	HSPF	Nominal SCFM
036(C,D)	B6BMM036K-B	34,800	13.00	11.00	36,800	8.00	1170
048(C,D)	B6BMM048K-C	47,500	13.00	11.00	47,500	8.00	1620
060(C,D)	B6BMM060K-C	57,500	13.00	11.00	60,500	8.00	1660

Outdoor Unit JT4BD	Indoor Coil + TDR	Cooling Capacity BTUH	SEER	EER	Heating Capacity BTUH @47°F	HSPF	Nominal SCFM
036(C,D)	C7B(A,H)MX36(C,U)-B	34200	13	11	37200	8	1250
048(C,D)	C7B(A,H)MX48(C,U)-C	45500	13	11	47500	8	1325
048(C,D)	C7B(A,H)MX48(C,U)-D	45500	13	11	47500	8	1325
060(C,D)	C7B(A,H)MX60(C,U)-C + VSB	57500	13	11	60000	8	1710

See current AHRI Directory for certified combinations and ratings
www.ahrirectory.org

14 SEER — High Efficiency — Single Phase

Outdoor Unit JT4BD-	Indoor Unit B6BM	Cooling Capacity BTUH	SEER	EER	Heating Capacity BTUH @ 47°F	HSPF	Nominal SCFM
036(C,D)	X36K-B	34,000	13	11	34,600	8	1115
048(C,D)	X48K-C	46,500	13	11	46,000	8	1570
060(C,D)	X60K-C	59,000	13	11	58,000	8	1750

13 SEER + LOOSE COIL COOLING EXPANDED RATINGS

JT4BD-036K C7B(A,H)MX36(C,U)-B

O.D.T			65°F			75°F			85°F			95°F			105°F			115°F		
CFM	E.D.B.	E.W.B.	T.C.	S.C.	K.W.	T.C.	S.C.	K.W.	T.C.	S.C.	K.W.	T.C.	S.C.	K.W.	T.C.	S.C.	K.W.	T.C.	S.C.	K.W.
1050	80	62	35.6	28.4	2.21	34.2	28.1	2.44	32.6	28.2	2.69	30.9	27.6	2.98	29.19	28.59	3.29	27.39	26.82	3.66
	80	67	38.7	23.4	2.23	37.1	23.1	2.47	35.4	23.3	2.72	33.6	22.8	3.00	31.67	22.40	3.32	29.60	20.89	3.68
	80	72	42.4	18.0	2.27	40.6	17.9	2.50	38.7	18.2	2.76	36.5	17.9	3.04	34.19	17.51	3.35	31.96	17.79	3.71
	75	62	35.4	23.7	2.20	33.9	23.4	2.44	32.4	23.5	2.69	30.7	23.0	2.97	28.89	20.99	3.29	26.95	22.48	3.65
1200	80	62	36.4	30.4	2.27	34.8	30.8	2.50	33.3	30.1	2.76	31.6	29.5	3.04	29.91	28.90	3.36	28.22	27.98	3.72
	80	67	39.4	24.8	2.30	37.7	25.5	2.53	36.0	24.8	2.79	34.1	24.5	3.07	32.15	24.37	3.38	30.00	24.24	3.74
	80	72	42.8	19.0	2.33	40.7	19.8	2.56	38.8	19.1	2.82	36.8	18.9	3.10	34.67	18.90	3.42	32.37	18.86	3.77
	75	62	36.1	25.2	2.27	34.6	25.7	2.50	32.9	25.0	2.75	31.2	24.5	3.03	29.32	24.34	3.35	27.33	24.10	3.71
1350	80	62	37.0	32.6	2.33	35.5	32.5	2.57	33.9	31.6	2.82	32.3	30.7	3.10	30.71	29.67	3.42	28.94	28.82	3.79
	80	67	40.0	26.6	2.36	38.3	26.9	2.59	36.5	26.2	2.85	34.5	26.0	3.13	32.45	25.64	3.45	30.29	25.59	3.80
	80	72	43.1	20.3	2.39	41.3	20.6	2.63	39.3	19.9	2.88	37.2	19.9	3.17	35.02	19.66	3.48	32.60	19.73	3.83
	75	62	36.6	27.0	2.33	35.0	27.0	2.56	33.4	26.3	2.81	31.6	26.0	3.10	29.65	25.66	3.41	27.63	25.47	3.77

JT4BD-048K C7B(A,H)MX48(C,U)-C

O.D.T			65°F			75°F			85°F			95°F			105°F			115°F		
CFM	E.D.B.	E.W.B.	T.C.	S.C.	K.W.	T.C.	S.C.	K.W.	T.C.	S.C.	K.W.	T.C.	S.C.	K.W.	T.C.	S.C.	K.W.	T.C.	S.C.	K.W.
1400	80	62	48.4	37.6	2.97	46.6	37.3	3.28	39.6	28.6	3.36	42.6	36.7	3.98	40.37	38.41	4.40	38.05	36.21	4.89
	80	67	52.6	31.1	2.97	50.5	30.8	3.29	48.4	31.1	3.63	46.0	30.4	4.01	43.65	29.89	4.43	41.10	27.95	4.91
	80	72	57.8	24.3	2.98	55.2	24.2	3.31	52.1	24.6	3.65	49.4	24.0	4.03	46.82	23.53	4.45	44.05	23.98	4.93
	75	62	48.1	31.5	2.97	46.2	31.2	3.28	44.3	31.3	3.61	42.2	30.6	3.98	39.98	28.23	4.40	37.56	30.20	4.88
1600	80	62	49.5	40.2	3.04	47.6	40.9	3.36	41.9	31.9	3.45	43.4	39.4	4.06	41.17	39.05	4.48	38.82	38.50	4.96
	80	67	53.6	32.9	3.05	51.5	33.8	3.37	49.3	32.9	3.71	46.9	32.4	4.09	44.41	32.36	4.51	41.77	32.26	4.99
	80	72	57.7	25.4	3.05	55.3	26.5	3.38	52.8	25.6	3.73	50.2	25.2	4.11	47.51	25.27	4.53	44.63	25.25	5.01
	75	62	49.1	33.3	3.04	47.2	34.1	3.35	45.1	33.1	3.69	42.9	32.7	4.06	40.63	32.50	4.48	38.17	32.28	4.96
1800	80	62	50.4	43.0	3.12	48.4	43.2	3.43	43.5	34.9	3.53	44.2	41.5	4.14	41.98	40.57	4.56	39.80	39.63	5.05
	80	67	54.5	35.2	3.12	52.3	35.5	3.44	49.9	34.6	3.79	47.4	34.4	4.16	44.86	34.01	4.59	42.21	34.04	5.07
	80	72	58.5	27.0	3.13	56.0	27.4	3.46	53.5	26.5	3.81	50.8	26.4	4.19	47.98	26.11	4.61	45.04	26.24	5.09
	75	62	49.9	35.6	3.12	47.9	35.8	3.43	45.7	34.8	3.77	43.4	34.6	4.14	41.12	34.13	4.56	38.58	33.87	5.04

JT4BD-060K C7B(A,H)MX60(C,U)-C + VSB

O.D.T			65°F			75°F			85°F			95°F			105°F			115°F		
CFM	E.D.B.	E.W.B.	T.C.	S.C.	K.W.	T.C.	S.C.	K.W.	T.C.	S.C.	K.W.	T.C.	S.C.	K.W.	T.C.	S.C.	K.W.	T.C.	S.C.	K.W.
1750	80	62	62.0	46.2	3.79	59.6	45.8	4.18	57.2	46.0	4.61	54.6	45.2	5.10	51.86	47.12	5.65	48.92	44.44	6.29
	80	67	67.1	38.3	3.85	64.5	38.0	4.24	61.9	38.4	4.67	59.0	37.6	5.16	56.07	36.94	5.72	52.91	34.56	6.36
	80	72	73.6	30.3	3.94	70.7	30.1	4.33	67.3	30.8	4.76	63.4	30.1	5.23	60.09	29.56	5.79	56.62	30.17	6.42
	75	62	61.5	38.9	3.79	59.2	38.5	4.17	56.7	38.7	4.60	54.1	37.9	5.09	51.39	35.02	5.64	48.44	37.42	6.28
2000	80	62	63.4	49.2	3.88	61.0	50.2	4.27	58.4	48.7	4.70	55.7	48.1	5.18	52.88	47.84	5.74	49.85	47.48	6.38
	80	67	68.6	40.4	3.94	65.9	41.6	4.33	63.1	40.4	4.76	60.2	40.0	5.25	57.12	39.91	5.81	53.84	39.81	6.44
	80	72	73.7	31.7	4.01	70.8	33.1	4.40	67.7	32.0	4.83	64.5	31.6	5.32	61.15	31.73	5.88	57.55	31.78	6.51
	75	62	63.0	41.0	3.88	60.5	42.0	4.26	57.9	40.8	4.69	55.2	40.3	5.18	52.37	40.10	5.73	49.32	39.88	6.37
2250	80	62	64.6	52.3	3.97	62.1	52.6	4.35	59.4	51.3	4.78	56.7	50.9	5.27	53.74	50.25	5.82	50.70	49.83	6.46
	80	67	69.9	43.1	4.03	67.1	43.6	4.42	64.2	42.4	4.85	61.1	42.2	5.34	57.88	41.81	5.89	54.47	41.92	6.53
	80	72	75.0	33.6	4.10	72.0	34.2	4.49	68.8	33.1	4.92	65.5	33.0	5.41	61.93	32.77	5.97	58.10	33.04	6.60
	75	62	64.1	43.7	3.96	61.6	44.0	4.34	58.9	42.8	4.77	56.1	42.5	5.26	53.13	42.00	5.81	49.97	41.94	6.45

13 SEER + AHU COOLING EXPANDED RATINGS

JT4BD-036(C,D) with B6BMM036K-B

O.D.T			65°F			75°F			85°F			95°F			105°F			115°F		
CFM	E.D.B.	E.W.B.	T.C.	S.C.	K.W.	T.C.	S.C.	K.W.	T.C.	S.C.	K.W.	T.C.	S.C.	K.W.	T.C.	S.C.	K.W.	T.C.	S.C.	K.W.
1000	80	62	35.4	27.2	2.23	34.0	26.9	2.46	32.4	27.0	2.71	30.6	26.4	2.99	28.71	27.66	3.30	26.68	25.71	3.66
	80	67	38.9	22.6	2.30	37.4	22.4	2.52	35.7	22.6	2.77	33.9	22.2	3.05	31.87	21.76	3.37	29.74	19.70	3.73
	80	72	42.8	17.6	2.38	41.2	17.5	2.61	39.4	17.8	2.86	37.5	17.5	3.15	35.39	17.17	3.47	33.13	17.56	3.84
	75	63	36.0	21.9	2.24	34.5	21.7	2.47	32.9	21.8	2.72	31.1	21.3	2.99	29.20	19.30	3.31	27.08	20.85	3.67
1150	80	62	36.4	29.2	2.30	34.8	29.7	2.52	33.2	29.0	2.77	31.4	28.5	3.05	29.54	28.10	3.37	27.60	27.37	3.73
	80	67	39.8	24.1	2.37	38.2	24.8	2.59	36.5	24.2	2.84	34.6	23.9	3.12	32.55	23.82	3.45	30.30	23.72	3.80
	80	72	43.8	18.5	2.46	42.1	19.4	2.69	40.2	18.8	2.94	38.2	18.6	3.22	36.02	18.74	3.55	33.65	18.82	3.91
	75	63	36.9	23.3	2.32	35.4	23.9	2.53	33.7	23.2	2.78	31.8	22.9	3.06	29.80	22.70	3.38	27.66	22.49	3.73
1300	80	62	37.1	31.4	2.37	35.6	31.5	2.59	33.9	30.7	2.84	32.2	30.2	3.12	30.35	29.32	3.44	28.59	28.47	3.81
	80	67	40.6	25.9	2.44	38.9	26.2	2.66	37.1	25.6	2.91	35.2	25.5	3.19	33.04	25.25	3.51	30.77	25.28	3.87
	80	72	44.5	19.8	2.53	42.7	20.3	2.76	40.8	19.7	3.01	38.7	19.7	3.29	36.35	19.65	3.61	33.99	19.85	3.98
	75	63	37.6	25.0	2.38	36.0	25.2	2.60	34.2	24.5	2.85	32.4	24.3	3.13	30.29	24.03	3.44	28.09	23.78	3.79

JT4BD-048(C,D) with B6BMM048K-(B,C)

O.D.T			65°F			75°F			85°F			95°F			105°F			115°F		
CFM	E.D.B.	E.W.B.	T.C.	S.C.	K.W.	T.C.	S.C.	K.W.	T.C.	S.C.	K.W.	T.C.	S.C.	K.W.	T.C.	S.C.	K.W.	T.C.	S.C.	K.W.
1200	80	62	47.7	34.8	2.95	45.8	34.4	3.23	43.7	34.5	3.54	41.2	33.5	3.89	38.32	34.94	4.29	35.92	32.75	4.76
	80	67	52.4	29.2	3.02	50.4	28.9	3.30	48.2	29.2	3.61	45.7	28.5	3.97	43.03	27.88	4.37	39.90	25.20	4.82
	80	72	58.0	23.1	3.14	55.8	23.0	3.42	53.5	23.4	3.73	50.9	22.9	4.08	48.04	22.46	4.48	44.92	22.95	4.93
	75	63	48.4	28.3	2.96	46.5	28.0	3.24	44.3	28.1	3.55	41.9	27.3	3.90	38.85	24.77	4.29	36.36	26.63	4.76
1350	80	62	48.9	36.9	3.02	47.0	37.6	3.30	44.7	36.4	3.62	42.2	35.8	3.97	39.30	35.33	4.36	36.57	34.88	4.82
	80	67	53.6	30.7	3.10	51.6	31.6	3.38	49.3	30.7	3.70	46.8	30.3	4.05	43.94	30.14	4.44	40.89	29.91	4.90
	80	72	59.2	24.0	3.22	57.0	25.2	3.50	54.5	24.4	3.82	51.8	24.2	4.17	48.84	24.29	4.57	45.59	24.36	5.02
	75	63	49.6	29.7	3.03	47.7	30.5	3.32	45.4	29.6	3.63	42.9	29.0	3.98	40.04	28.69	4.37	36.95	28.26	4.83
1500	80	62	49.9	39.2	3.10	47.9	39.4	3.38	45.6	38.4	3.69	43.1	37.9	4.04	40.26	37.24	4.44	37.17	36.56	4.89
	80	67	54.7	32.6	3.18	52.6	33.1	3.46	50.2	32.2	3.77	47.6	32.0	4.12	44.72	31.59	4.52	41.59	31.54	4.97
	80	72	60.2	25.6	3.30	57.8	26.2	3.58	55.3	25.4	3.90	52.5	25.4	4.25	49.34	25.24	4.64	45.91	25.47	5.09
	75	63	50.6	31.6	3.11	48.6	31.9	3.39	46.3	30.9	3.70	43.7	30.6	4.05	40.89	30.10	4.45	37.45	29.69	4.89

JT4BD-060(C,D) with B6BMM060K-C

O.D.T			65°F			75°F			85°F			95°F			105°F			115°F		
CFM	E.D.B.	E.W.B.	T.C.	S.C.	K.W.	T.C.	S.C.	K.W.	T.C.	S.C.	K.W.	T.C.	S.C.	K.W.	T.C.	S.C.	K.W.	T.C.	S.C.	K.W.
1450	80	62	58.3	40.8	3.54	55.9	40.3	3.90	53.2	40.3	4.29	50.0	39.2	4.74	47.19	41.30	5.28	44.22	38.70	5.88
	80	67	64.2	34.5	3.67	61.7	34.1	4.02	58.9	34.4	4.43	55.9	33.5	4.89	52.57	32.80	5.40	48.85	29.84	5.97
	80	72	70.9	27.6	3.84	68.4	27.5	4.20	65.5	28.0	4.61	61.9	27.1	5.06	58.36	26.56	5.58	54.54	27.13	6.15
	75	63	59.3	33.6	3.56	56.9	33.1	3.92	54.2	33.2	4.31	51.0	32.2	4.77	47.89	29.38	5.29	44.84	31.59	5.89
1600	80	62	59.8	42.7	3.61	57.3	43.6	3.96	54.5	42.3	4.36	51.3	41.6	4.81	48.09	41.21	5.33	45.00	40.65	5.93
	80	67	65.7	35.9	3.74	63.1	37.0	4.10	60.3	35.8	4.50	57.2	35.3	4.96	53.74	35.15	5.48	49.96	34.88	6.04
	80	72	72.5	28.5	3.92	69.8	29.9	4.28	66.4	28.8	4.68	62.9	28.4	5.13	59.39	28.52	5.66	55.50	28.57	6.23
	75	63	60.7	34.9	3.63	58.2	35.8	3.98	55.4	34.6	4.38	52.4	33.9	4.84	48.70	33.45	5.34	45.58	33.24	5.94
1750	80	62	61.0	45.2	3.67	58.4	45.4	4.02	55.6	44.2	4.42	52.4	43.7	4.88	48.78	42.63	5.38	45.61	42.50	5.98
	80	67	67.0	37.9	3.81	64.3	38.3	4.17	61.4	37.2	4.57	58.2	37.0	5.03	54.74	36.54	5.54	51.00	36.53	6.11
	80	72	73.8	30.1	4.00	70.5	30.7	4.35	67.3	29.6	4.75	63.9	29.6	5.20	60.24	29.43	5.73	56.29	29.75	6.30
	75	63	61.9	36.8	3.69	59.4	37.1	4.04	56.5	35.9	4.44	53.3	35.5	4.90	49.78	34.80	5.40	46.26	34.65	5.98

13 SEER + LOOSE COIL HEATING EXPANDED RATINGS

JT4BD-036K / C7B(A,H)MX36(C,U)-C

		OUTDOOR TEMPERATURE (Deg. F)																							
CFM	Indoor T. Deg.F	10			17			20			30			40			47			50			60		
		MBH	COP	kW	MBH	COP	kW	MBH	COP	kW	MBH	COP	kW	MBH	COP	kW	MBH	COP	kW	MBH	COP	kW	MBH	COP	kW
1100	60	20.2	2.68	2.21	23.6	2.94	2.36	25.1	3.04	2.42	29.9	3.34	2.63	34.8	3.60	2.84	38.2	3.75	2.98	39.7	3.82	3.05	44.5	4.01	3.26
	70	19.5	2.51	2.27	22.7	2.74	2.44	24.1	2.82	2.51	28.8	3.08	2.74	33.5	3.30	2.98	36.7	3.43	3.14	38.1	3.48	3.21	42.8	3.64	3.45
	80	18.9	2.36	2.35	22.0	2.55	2.53	23.4	2.63	2.61	27.8	2.84	2.87	32.2	3.03	3.12	35.3	3.14	3.30	36.7	3.18	3.38	41.1	3.31	3.64
1250	60	20.3	2.64	2.26	23.8	2.91	2.40	25.3	3.01	2.46	30.3	3.33	2.66	35.2	3.60	2.87	38.7	3.77	3.01	40.2	3.84	3.07	45.1	4.05	3.27
	70	19.7	2.48	2.33	23.0	2.71	2.49	24.4	2.81	2.55	29.2	3.08	2.78	33.9	3.31	3.00	37.2	3.45	3.16	38.6	3.51	3.23	43.4	3.68	3.46
	80	19.1	2.33	2.40	22.3	2.53	2.58	23.6	2.61	2.65	28.1	2.84	2.90	32.7	3.04	3.15	35.8	3.16	3.33	37.2	3.21	3.40	41.7	3.35	3.65
1400	60	20.4	2.59	2.31	24.0	2.87	2.45	25.5	2.98	2.51	30.5	3.31	2.70	35.6	3.60	2.90	39.1	3.78	3.04	40.6	3.85	3.09	45.6	4.07	3.29
	70	19.9	2.46	2.38	23.3	2.70	2.53	24.7	2.79	2.59	29.5	3.07	2.81	34.3	3.32	3.03	37.7	3.47	3.19	39.1	3.52	3.25	43.9	3.71	3.47
	80	19.3	2.30	2.46	22.5	2.51	2.62	23.9	2.59	2.70	28.4	2.84	2.94	33.0	3.04	3.18	36.2	3.17	3.35	37.6	3.22	3.42	42.2	3.37	3.66

JT4BD-048K / C7B(A,H)MX48(C,U)-C

		OUTDOOR TEMPERATURE (Deg. F)																							
CFM	Indoor T. Deg.F	10			17			20			30			40			47			50			60		
		MBH	COP	kW	MBH	COP	kW	MBH	COP	kW	MBH	COP	kW	MBH	COP	kW	MBH	COP	kW	MBH	COP	kW	MBH	COP	kW
1125	60	26.1	2.61	2.94	30.4	2.83	3.15	32.2	2.92	3.24	38.3	3.18	3.53	44.4	3.40	3.83	48.6	3.53	4.04	50.4	3.58	4.13	56.5	3.74	4.43
	70	25.3	2.38	3.11	29.4	2.59	3.34	31.2	2.67	3.43	37.1	2.90	3.75	43.0	3.10	4.07	47.2	3.22	4.29	48.9	3.27	4.39	54.9	3.42	4.71
	80	24.8	2.20	3.31	28.8	2.38	3.55	30.5	2.45	3.65	36.2	2.65	4.00	41.8	2.83	4.34	45.8	2.93	4.58	47.5	2.97	4.69	53.2	3.10	5.03
1325	60	26.4	2.59	2.99	30.7	2.83	3.19	32.6	2.92	3.27	38.8	3.20	3.55	45.0	3.43	3.84	49.3	3.58	4.04	51.1	3.64	4.12	57.3	3.82	4.41
	70	25.6	2.38	3.16	29.8	2.59	3.37	31.6	2.68	3.47	37.6	2.93	3.77	43.6	3.14	4.07	47.8	3.27	4.28	49.6	3.32	4.38	55.6	3.49	4.68
	80	25.0	2.18	3.36	29.1	2.37	3.59	30.8	2.45	3.69	36.6	2.68	4.01	42.4	2.87	4.34	46.5	2.99	4.56	48.2	3.03	4.66	54.0	3.18	4.99
1525	60	26.5	2.56	3.03	30.9	2.81	3.23	32.8	2.90	3.31	39.1	3.20	3.59	45.4	3.45	3.86	49.9	3.60	4.06	51.8	3.67	4.14	58.1	3.86	4.42
	70	25.9	2.37	3.22	30.2	2.59	3.42	32.0	2.68	3.51	38.1	2.94	3.80	44.2	3.17	4.09	48.4	3.31	4.29	50.2	3.36	4.38	56.3	3.54	4.67
	80	25.3	2.17	3.41	29.4	2.37	3.63	31.2	2.45	3.72	37.0	2.69	4.03	42.9	2.90	4.34	47.0	3.02	4.56	48.8	3.07	4.65	54.6	3.23	4.96

JT4BD-060K / C7B(A,H)MX60(C,U)-C + VSB

		OUTDOOR TEMPERATURE (Deg. F)																							
CFM	Indoor T. Deg.F	10			17			20			30			40			47			50			60		
		MBH	COP	kW	MBH	COP	kW	MBH	COP	kW	MBH	COP	kW	MBH	COP	kW	MBH	COP	kW	MBH	COP	kW	MBH	COP	kW
200	60	32.1	2.67	3.53	38.0	2.97	3.75	40.5	3.09	3.85	48.9	3.44	4.17	57.4	3.74	4.50	63.3	3.93	4.72	65.8	4.00	4.82	74.2	4.23	5.14
	70	31.1	2.41	3.79	36.9	2.69	4.03	39.4	2.80	4.13	47.7	3.13	4.47	56.0	3.42	4.80	61.8	3.60	5.04	64.3	3.67	5.14	72.6	3.89	5.48
	80	30.6	2.20	4.08	36.3	2.46	4.33	38.7	2.56	4.44	46.8	2.86	4.80	54.9	3.12	5.16	60.6	3.28	5.41	63.0	3.35	5.52	71.1	3.54	5.88
1510	60	32.4	2.67	3.56	38.4	2.98	3.78	40.9	3.10	3.87	49.5	3.47	4.18	58.0	3.79	4.48	64.0	3.99	4.70	66.6	4.07	4.79	75.1	4.32	5.10
	70	31.5	2.42	3.82	37.3	2.71	4.04	39.9	2.82	4.14	48.2	3.17	4.46	56.6	3.47	4.78	62.5	3.66	5.00	65.0	3.74	5.10	73.4	3.97	5.42
	80	30.9	2.20	4.11	36.6	2.47	4.35	39.1	2.57	4.45	47.3	2.90	4.79	55.5	3.17	5.12	61.2	3.35	5.36	63.7	3.42	5.46	71.9	3.64	5.80
1910	60	32.4	2.64	3.60	38.5	2.96	3.81	41.1	3.09	3.90	49.8	3.48	4.20	58.5	3.81	4.50	64.6	4.02	4.71	67.2	4.11	4.80	75.9	4.37	5.10
	70	31.9	2.42	3.87	37.8	2.71	4.08	40.3	2.83	4.17	48.7	3.19	4.48	57.2	3.51	4.78	63.1	3.70	5.00	65.6	3.78	5.09	74.0	4.03	5.39
	80	31.2	2.20	4.15	37.0	2.48	4.38	39.4	2.59	4.47	47.7	2.92	4.79	56.0	3.21	5.11	61.8	3.40	5.33	64.2	3.47	5.43	72.5	3.70	5.74

13 SEER + AHU HEATING EXPANDED RATINGS

JT4BD-036(C,D) with B6BMM036K-B

		OUTDOOR TEMPERATURE (Deg. F)																							
150 CFM	Indoor T. Deg.F	10			17			20			30			40			47			50			60		
		MBH	COP	kW	MBH	COP	kW	MBH	COP	kW	MBH	COP	kW	MBH	COP	kW	MBH	COP	kW	MBH	COP	kW	MBH	COP	kW
1035	60	19.2	2.51	2.24	22.9	2.83	2.37	24.5	2.97	2.42	29.8	3.36	2.60	35.1	3.70	2.78	38.8	3.92	2.90	40.4	4.01	2.96	45.7	4.28	3.14
	70	18.5	2.35	2.31	22.1	2.64	2.45	23.6	2.76	2.51	28.7	3.10	2.71	33.8	3.40	2.91	37.4	3.59	3.05	38.9	3.66	3.11	44.0	3.89	3.32
	80	17.9	2.20	2.39	21.3	2.46	2.55	22.8	2.56	2.61	27.7	2.87	2.83	32.6	3.13	3.05	36.0	3.29	3.21	37.4	3.35	3.27	42.3	3.55	3.50
1185	60	19.3	2.47	2.30	23.1	2.81	2.42	24.7	2.94	2.47	30.1	3.35	2.64	35.5	3.71	2.81	39.3	3.94	2.93	40.9	4.03	2.98	46.3	4.31	3.15
	70	18.7	2.32	2.36	22.3	2.62	2.50	23.9	2.74	2.56	29.0	3.10	2.75	34.2	3.41	2.94	37.8	3.61	3.08	39.4	3.69	3.13	44.6	3.93	3.33
	80	18.1	2.17	2.45	21.6	2.44	2.59	23.1	2.54	2.66	28.0	2.86	2.87	33.0	3.14	3.08	36.5	3.31	3.23	38.0	3.38	3.30	42.9	3.59	3.51
1335	60	19.4	2.43	2.34	23.3	2.77	2.46	24.9	2.91	2.51	30.4	3.33	2.68	35.9	3.70	2.84	39.7	3.94	2.96	41.4	4.03	3.01	46.9	4.33	3.18
	70	18.9	2.30	2.41	22.6	2.60	2.54	24.1	2.72	2.60	29.4	3.09	2.79	34.6	3.42	2.97	38.3	3.62	3.10	39.9	3.70	3.16	45.1	3.95	3.35
	80	18.3	2.15	2.49	21.8	2.42	2.64	23.3	2.53	2.70	28.3	2.86	2.91	33.3	3.14	3.11	36.8	3.32	3.26	38.3	3.39	3.32	43.4	3.61	3.53

JT4BD-048(C,D) with B6BMM048K-(B,C)

		OUTDOOR TEMPERATURE (Deg. F)																							
200 CFM	Indoor T. Deg.F	10			17			20			30			40			47			50			60		
		MBH	COP	kW	MBH	COP	kW	MBH	COP	kW	MBH	COP	kW	MBH	COP	kW	MBH	COP	kW	MBH	COP	kW	MBH	COP	kW
1160	60	26.2	2.59	2.97	30.9	2.83	3.20	32.8	2.92	3.30	39.4	3.19	3.63	46.1	3.42	3.95	50.7	3.56	4.18	52.7	3.61	4.28	59.3	3.77	4.60
	70	25.4	2.36	3.15	29.9	2.58	3.40	31.8	2.66	3.50	38.3	2.91	3.85	44.7	3.12	4.20	49.2	3.25	4.45	51.2	3.30	4.55	57.6	3.45	4.90
	80	24.9	2.18	3.35	29.2	2.37	3.62	31.1	2.44	3.73	37.3	2.66	4.11	43.5	2.84	4.49	47.9	2.95	4.75	49.8	3.00	4.87	56.0	3.13	5.24
1360	60	26.5	2.57	3.02	31.2	2.82	3.24	33.2	2.92	3.33	39.9	3.21	3.64	46.6	3.46	3.95	51.3	3.61	4.17	53.4	3.67	4.26	60.1	3.85	4.58
	70	25.7	2.35	3.20	30.3	2.59	3.44	32.2	2.67	3.53	38.8	2.94	3.87	45.3	3.16	4.20	49.9	3.30	4.43	51.8	3.35	4.53	58.3	3.52	4.86
	80	25.1	2.16	3.41	29.5	2.37	3.66	31.4	2.45	3.76	37.8	2.69	4.12	44.1	2.89	4.48	48.5	3.01	4.73	50.4	3.06	4.83	56.8	3.21	5.19
1560	60	26.6	2.54	3.07	31.4	2.80	3.28	33.4	2.91	3.37	40.3	3.21	3.67	47.1	3.48	3.98	51.9	3.64	4.19	54.0	3.70	4.28	60.8	3.89	4.58
	70	26.1	2.35	3.26	30.7	2.59	3.48	32.7	2.68	3.58	39.2	2.96	3.89	45.8	3.19	4.21	50.5	3.34	4.44	52.4	3.39	4.53	59.0	3.57	4.85
	80	25.4	2.15	3.46	29.9	2.37	3.70	31.8	2.45	3.80	38.2	2.71	4.14	44.6	2.92	4.48	49.1	3.05	4.72	51.0	3.10	4.82	57.4	3.26	5.16

JT4BD-060(C,D) with B6BMM060K-C

		OUTDOOR TEMPERATURE (Deg. F)																							
200 CFM	Indoor T. Deg.F	10			17			20			30			40			47			50			60		
		MBH	COP	kW	MBH	COP	kW	MBH	COP	kW	MBH	COP	kW	MBH	COP	kW	MBH	COP	kW	MBH	COP	kW	MBH	COP	kW
1400	60	30.3	2.29	3.88	36.4	2.56	4.17	39.0	2.67	4.29	47.7	2.97	4.70	56.4	3.23	5.12	62.5	3.39	5.41	65.1	3.45	5.53	73.8	3.64	5.94
	70	29.4	2.05	4.20	35.4	2.30	4.50	37.9	2.40	4.63	46.5	2.69	5.06	55.0	2.94	5.49	61.0	3.09	5.79	63.6	3.15	5.92	72.1	3.33	6.34
	80	28.9	1.87	4.54	34.7	2.10	4.86	37.2	2.18	5.00	45.6	2.45	5.46	53.9	2.67	5.92	59.7	2.81	6.24	62.3	2.86	6.38	70.6	3.03	6.84
1600	60	30.6	2.30	3.91	36.8	2.58	4.18	39.4	2.69	4.30	48.2	3.01	4.69	57.0	3.29	5.09	63.2	3.46	5.36	65.8	3.52	5.48	74.6	3.73	5.87
	70	29.7	2.07	4.22	35.8	2.33	4.50	38.4	2.43	4.63	47.0	2.74	5.03	55.6	3.00	5.44	61.7	3.16	5.73	64.3	3.22	5.85	72.9	3.42	6.26
	80	29.1	1.87	4.57	35.0	2.11	4.87	37.6	2.20	5.00	46.0	2.49	5.43	54.5	2.73	5.86	60.4	2.88	6.16	62.9	2.94	6.28	71.4	3.12	6.71
1800	60	30.6	2.28	3.93	36.9	2.57	4.20	39.6	2.69	4.32	48.6	3.03	4.70	57.5	3.31	5.09	63.8	3.49	5.36	66.5	3.56	5.48	75.5	3.77	5.86
	70	30.1	2.07	4.26	36.2	2.34	4.53	38.8	2.45	4.65	47.5	2.76	5.04	56.2	3.04	5.43	62.3	3.20	5.70	64.9	3.27	5.82	73.6	3.48	6.21
	80	29.4	1.87	4.60	35.4	2.12	4.89	37.9	2.22	5.01	46.5	2.52	5.41	55.0	2.77	5.82	61.0	2.93	6.10	63.5	2.99	6.23	72.0	3.19	6.63



GENERAL TERMS OF LIMITED WARRANTY

For complete details of the Limited Warranty, including applicable terms and conditions, see your local installer or contact the NORDYNE warranty department for a copy.



COMPLETE COMFORT. GENUINE VALUE. 8000 Phoenix Parkway | O'Fallon, MO 63368-3827

Specifications and illustrations subject to change without notice and without incurring obligations. Printed in U.S.A (07/2014)

226D-0714 (Replaces 226D-0812)