

MAYTAG

TECHNICAL SPECIFICATIONS

Model PPH2RF Series



M1200 Product Line

**Single Packaged Heat Pump, 15 SEER - 12 EER
8.0 HSPF, 2 Ton thru 5 Ton Units, R-410A**

- **M1200 – 12 YEAR ALL PARTS LIMITED WARRANTY**
- **M1200 WITH UPGRADED WARRANTY PACKAGE - 12 YEAR ALL PARTS & LABOR LIMITED WARRANTY**
- **Both the standard and upgraded limited warranty packages offer a 12 Year Dependability Promise to replace the entire unit, if the unit's compressor fails within the first 12 years of operation, to the original owner.**
- **Product registration (by consumer or dealer) required for 12-year Warranty and Dependability Promise within a limited period of time after the installation. See current warranty document for details. This can be viewed at www.maytagvac.com or ask your sales representative.**
- **Dealer is responsible for registration of labor portion of warranty.**

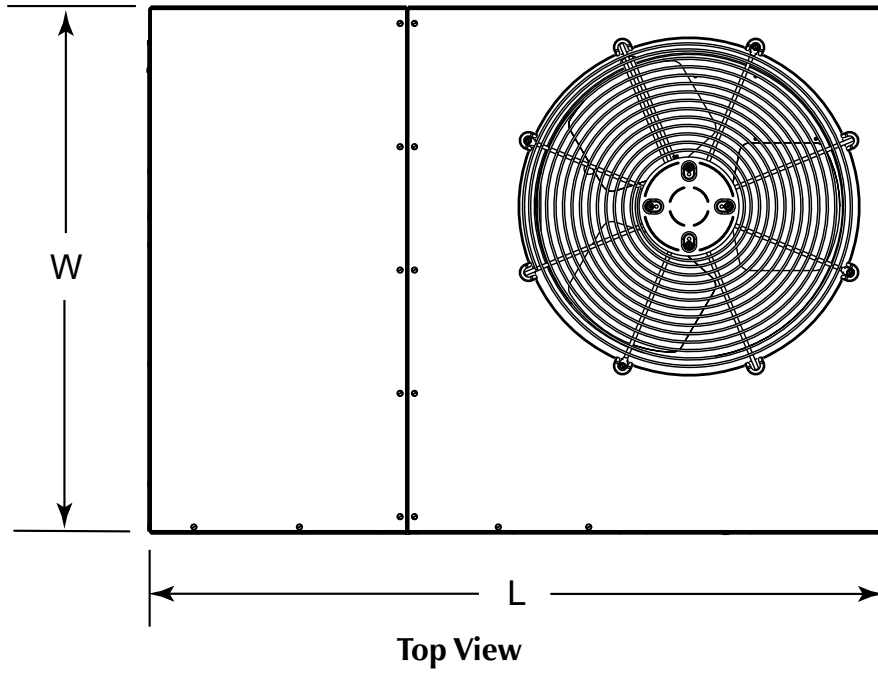


The PPH2RF Series single packaged heat pumps are high efficiency self contained cooling and heating units that can be installed on a slab. Units are ETL and ETLc listed.

Features and Benefits

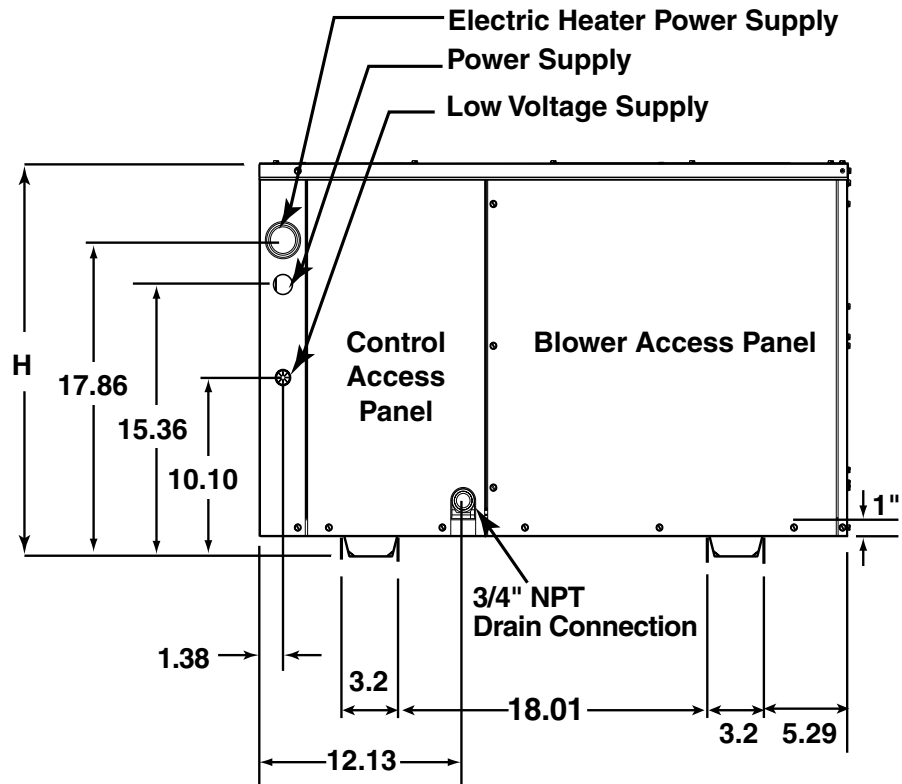
- **R-410A Refrigerant** Environmentally Friendly.
- **State-of-the-art Copeland Ultra-Tech Scroll Compressor** provides two stage heat/cool.
- **Galvanized Steel Cabinet** – Unit is trimmed in a silicone-protected polyester finish with a 950 hour salt spray finish that resists corrosion 50% better than comparable units.
- **Coils** are designed to optimize heat transfer, minimize size and cost, and increase durability and reliability.
- **The service valves are easily accessible** and simplify servicing of the refrigeration system.
- **A wire coil guard coated with Earth Friendly Epoxy and mesh hail guard that will never rust** protects the coil from being damaged by balls, lawnmowers, hail, etc.
- **Designed to make servicing easier** for the contractor, access panels are provided to all major components and the compressor.
- **0" clearance** to combustibles on duct side of the unit allows for installations in tight areas.
- **Easy access** to evaporator for cleaning and general maintenance.
- **Drain trap** design optimizes drainage capabilities.
- **Easy to install** electric heat strip provides up to 20 kw of heat output.
- **Compact footprint and profile** make the PPH2RF Series easy to install and transport.
- **Suction Accumulator** – Protection from liquid flood back and future compressor failures.
- **Demand defrost standard** – Provides additional energy savings in heating by defrosting only when necessary.
- **Three Minute Restart Time Delay** – When the unit shuts down, a three minute delay keeps the unit from restarting, eliminating the highest cause for compressor failure.
- **High and Low Pressure Switches** – Added compressor Protection.
- **Quiet operation and low vibration** – Swept-wing fan blade combined with custom Venturi condenser fan.
- **Compressor sound blanket is standard.**
- **Protected Distributor Tubes** – Both indoor and outdoor coils include very high abrasion resistance fiberglass sleeves to prevent leaks from tubing rubbing together.
- **Energy Efficient Brushless** – DC (ECM) Blower motor.

DIMENSIONS

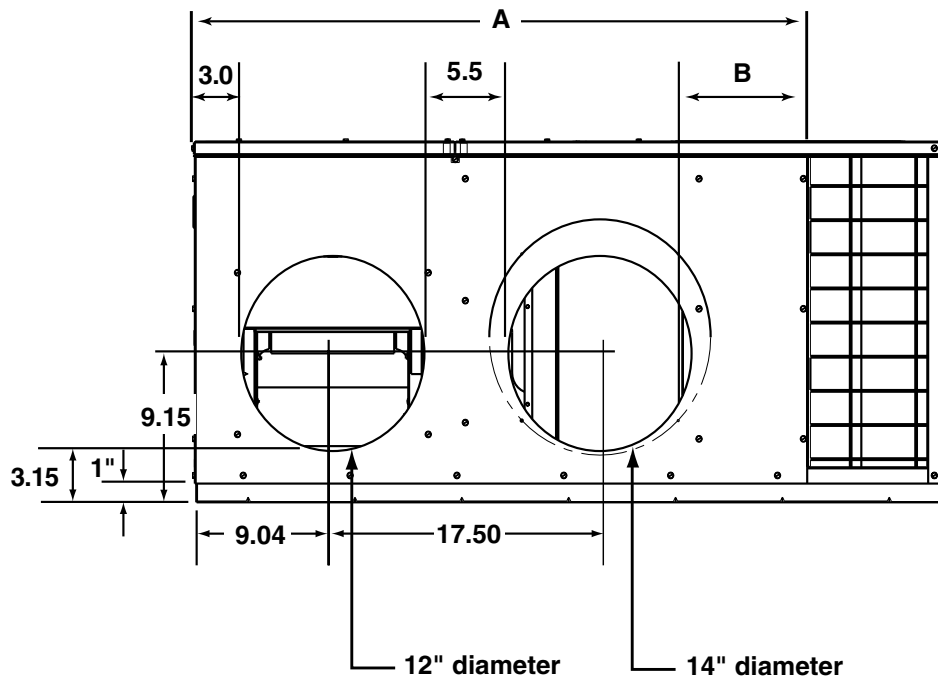


Model Number PPH2RF	(L) Length	(W) Width	(H) Height	A	B
X24K	49	35	30.2	40.15	7.61
X36K	49	35	30.2	35.02	2.48
X48K	49	35	38.2	35.02	2.48
X60K	63	35	38.2	35.02	2.48

DIMENSIONS continued



Side View



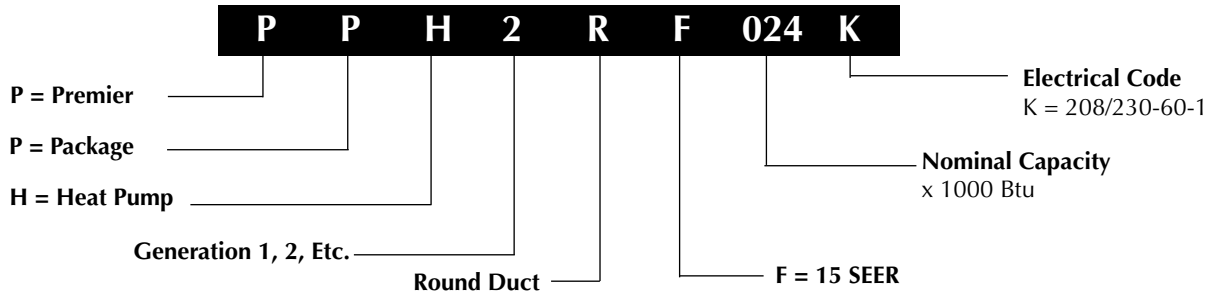
Back (Duct) View

ELECTRICAL DATA

PPH2RF SERIES - 208/230V - SINGLE PHASE MODELS													
MODEL NUMBER PPH2RF	HEATER KW	MCA	REC, WIRE GAGE (90° C CU)	MOP	CIRCUIT A (COMPRESSOR, BLOWER & FAN)			CIRCUIT B (HEATER ONLY)			CIRCUIT C (HEATER ONLY)		
					MCA	REC, WIRE GAGE (90° C CU)	MOP	MCA	REC, WIRE GAGE (90° C CU)	MOP	MCA	REC, WIRE GAGE (90° C CU)	MOP
X24K	0	18.1	12	25	-	-	-	-	-	-	-	-	-
	5	43.1	8	45	-	-	-	-	-	-	-	-	-
	8	57.6	6	60	-	-	-	-	-	-	-	-	-
	10	68.1	6	70	18.1	12	25	50	8	60	-	-	-
X36K	0	26.1	10	40	-	-	-	-	-	-	-	-	-
	5	51.1	8	60	-	-	-	-	-	-	-	-	-
	8	65.6	6	70	26.1	10	40	39.6	8	40	-	-	-
	10	76.1	4	80	26.1	10	40	50	8	60	-	-	-
	15	101.1	3	110	51.1	8	60	50	8	60	-	-	-
X48K	0	37.7	8	50	-	-	-	-	-	-	-	-	-
	5	62.7	6	70	37.7	8	50	25	10	30	-	-	-
	8	77.3	4	90	37.7	8	50	39.6	8	40	-	-	-
	10	87.7	4	90	37.7	8	50	50	6	60	-	-	-
	15	112.7	2	125	62.7	6	70	50	8	60	-	-	-
	20	137.7	1	150	-	-	-	-	-	-	-	-	-
	20 (3 circuit)	-	-	-	37.7	8	50	50	8	60	50	8	60
X60K	0	40.1	8	60	-	-	-	-	-	-	-	-	-
	5	65.1	6	80	40.1	8	60	25	10	30	-	-	-
	8	79.6	4	90	40.1	8	60	39.6	8	40	-	-	-
	10	90.1	4	100	40.1	8	60	50	8	60	-	-	-
	15	115.1	2	125	65.1	6	80	50	8	60	-	-	-
	20	140.1	1	150	-	-	-	-	-	-	-	-	-
	20 (3 circuit)	-	-	-	40.1	8	60	50	8	60	50	8	60

NOTE: If electric heat is installed, and the overcurrent rating exceeds 60A, internal circuit breakers must be installed in addition to branch circuit protection at the distribution panel.

IDENTIFICATION CODE



ELECTRICAL SPECIFICATIONS

Model No. PPH2RF	X24K	X36K	X48K	X60K
Capacities				
Cooling BTU/h	24,000	34,600	46,500	55,000
SEER	15	15	15	15
EER	12	12	12	12
Heating BTU/h 47° F	23,000	34,600	44,000	56,000
HSPF	8.0	8.0	8.0	8.0
Sound Rating	72	71	70	71
Electric Rating — 60 Hz (a)				
Operating Voltage Range	187 - 253	187 - 253	187 - 253	187 - 253
Min. Circuit Ampacity (a)	18.1	26.1	37.7	40.1
Field Wire Size — AWG (a)	10	10	8	6
Delay Fuse — Max. (b)	30	40	50	60
Total Unit — AMPS	15.5	21.9	32.4	34.3
Compressor				
Volts	208 - 230	208 - 230	208 - 230	208 - 230
Rated Load Amps	10.2	16.6	21.1	23
Lock Rotor Amps	52	82	96	118
Condenser Motor				
Fan Motor — HP - RPM	1/5 - 825	1/4 - 1100	1/2 - 2 speeds	1/2 - 2 speeds
Fan Motor — Amps	1.2	1.2	5.3	5.3
Fan Dia. — CFM	20" - 2800	20" - 3000	20" - 3400	24" - 4000
Evaporator Motor - 5 speed (ECM)				
Blower Motor — HP	1/2	1/2	3/4	3/4
Blower Motor — Amps	4.1	4.1	6	6
Refrigerant (R-410A) — Oz.	140	163	197	240
Shipping Weight -- Lbs.	335	340	385	435

- (a) Amperage and wire size based on refrigeration system only with 60° C wire, 50 ft. length. See Electrical Data tables for supplemental electric heaters. Refer to National Electric Code for additional derating factors for field installed conductors.
- (b) Use time delay fuse or "HACR" type circuit breaker.

HEATER APPLICATION MATRIX

Model Number PPH2RF	H3HK-005H-01B 917166B	H3HK-008H-01B 917167B	H3HK-010H-01B 917168B	H3HK-015H-01B 917169B	H3HK-020H-01B 917170B	H3HK-015H-21B 917172B	H3HK-020H-21B 917173B
X24K	X(0)	X(0)	X(2)	NA	NA	NA	NA
X36K	X (0)	X(2)	X(2)	X(2)	NA	X(0)	NA
X48K	X (2)	X(2)	X(2)	X(2)	X(3)	X(0)	X(1)
X60K	X (2)	X(2)	X(2)	X(2)	X(3)	X(0)	X(1)

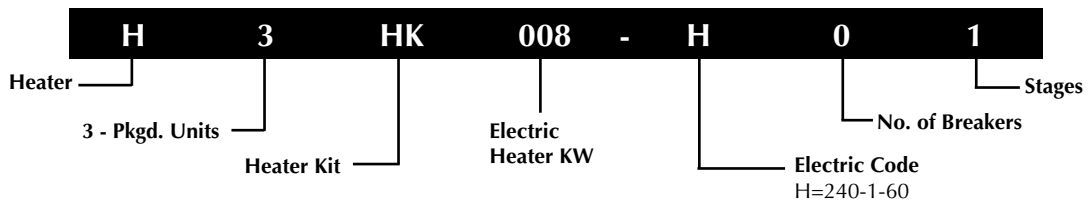
NA = Not Approved

() = Number of internal circuit breaker kits required.

X = Branch Circuit Protection Only

NOTE: Blower Performance heating values based on 10kw heater kit for 024K and 036K. 15kw values used for 048K.

IDENTIFICATION CODE



ACCESSORIES

Description	Part Number
4-Pole single circuit adaptor	913350
6-Pole single circuit adaptor	913556
Circuit Breaker Single Phase (2-pole)	913554
Extreme High Wind Kit - Ground Mount	920908

BLOWER PERFORMANCE - ECM

Model Number		External Static Pressure Drop (in WC)								
PPH2RF		0.1	0.2	0.3	0.4	0.5	0.6	0.7	0.8	
X24K	*	Tap T1	990	790	560	540				
	**	Tap T2	1040	850	600	550	500			
		Tap T3	1080	920	800	720	680	620	570	520
	***	Tap T4	1160	1100	1040	1000	960	900	850	820
		Tap T5	1330	1300	1250	1200	1170	1130	1080	1030
X36K	*	Tap T1	1020	840	600	500				
		Tap T2	1060	900	750	700	650	600	540	500
	**	Tap T3	1280	1240	1200	1180	1140	1100	1070	1010
	***	Tap T4	1480	1450	1420	1390	1360	1320	1290	1240
		Tap T5	1580	1550	1520	1480	1450	1420	1380	1350
X48K	*	Tap T1	1150	1090	1030	1000	950	900	850	800
		Tap T2	1300	1270	1240	1200	1160	1120	1090	1050
	***	Tap T3	1460	1430	1400	1370	1340	1300	1250	1200
	**	Tap T4	1520	1480	1450	1420	1390	1360	1330	1300
		Tap T5	1740	1710	1680	1650	1620	1590	1540	1500
X60K		Tap T1	1150	1100	1060	1030	980	950	900	870
	*	Tap T2	1250	1200	1170	1150	1130	1100	1060	1020
	***	Tap T3	1560	1530	1500	1470	1450	1420	1390	1360
	**	Tap T4	1750	1700	1670	1630	1600	1580	1560	1530
		Tap T5	1960	1930	1900	1860	1830	1800	1770	1740

* Denotes factory set low cooling & heating speed
 ** Denotes factory set high cooling & heating speed
 *** Denotes factory set electric heating speed

COPPER WIRE SIZE — AWG (1% Voltage Drop)				
Supply Wire Length-Feet				Supply Circuit Ampacity
200	150	100	50	
6	8	10	14	15
4	6	8	12	20
4	6	8	10	25
4	4	6	10	30
3	4	6	8	35
3	4	6	8	40
2	3	4	6	45
2	3	4	6	50

Wire Size based on N.E.C. for 60° type copper conductors.

HEAT PUMP COOLING EXPANDED RATINGS

PPH2RFX24K High Speed

CFM	O.D.T		65°F			75°F			85°F			95°F			105°F			115°F		
	E.D.B.	.W.B.	T.C.	S.C.	K.W.	T.C.	S.C.	K.W.	T.C.	S.C.	K.W.	T.C.	S.C.	K.W.	T.C.	S.C.	K.W.	T.C.	S.C.	K.W.
700	80	62	25.4	20.3	1.42	24.4	20.1	1.59	23.3	20.2	1.78	22.1	19.8	1.98	20.9	20.5	2.21	19.6	19.2	2.47
	80	67	27.5	16.5	1.44	26.4	16.4	1.61	25.3	16.6	1.80	24.0	16.2	2.01	22.6	15.9	2.23	21.0	14.9	2.49
	80	72	30.2	12.8	1.47	28.9	12.7	1.64	27.6	12.9	1.82	26.1	12.7	2.03	24.5	12.4	2.26	22.7	12.6	2.51
	75	63	25.6	16.2	1.43	24.6	16.0	1.60	23.5	16.1	1.78	22.3	15.8	1.99	21.0	14.4	2.22	19.5	15.5	2.47
800	80	62	26.1	21.9	1.43	25.1	22.3	1.60	24.0	21.8	1.79	22.8	21.4	1.99	21.6	20.9	2.22	20.3	20.2	2.48
	80	67	28.2	17.7	1.45	27.1	18.2	1.62	25.8	17.7	1.80	24.5	17.5	2.01	23.0	17.4	2.24	21.4	17.3	2.50
	80	72	30.7	13.5	1.47	29.4	14.2	1.64	27.8	13.7	1.83	26.4	13.6	2.04	24.8	13.6	2.26	23.1	13.6	2.52
	75	63	26.3	17.3	1.43	25.2	17.7	1.60	24.0	17.3	1.79	22.8	17.0	1.99	21.4	16.9	2.22	19.9	16.8	2.48
900	80	62	26.7	23.7	1.44	25.7	23.7	1.61	24.6	23.0	1.79	23.5	22.3	2.00	22.3	21.5	2.23	21.0	20.9	2.49
	80	67	28.8	19.2	1.45	27.6	19.4	1.62	26.3	18.9	1.81	24.9	18.8	2.02	23.4	18.6	2.25	21.8	18.6	2.50
	80	72	31.0	14.6	1.48	29.7	14.9	1.65	28.3	14.5	1.83	26.8	14.4	2.04	25.2	14.3	2.27	23.4	14.4	2.53
	75	63	26.8	18.7	1.44	25.7	18.8	1.61	24.5	18.3	1.79	23.2	18.2	2.00	21.8	18.0	2.23	20.3	17.9	2.48

PPH2RFX36K High Speed

CFM	O.D.T		65°F			75°F			85°F			95°F			105°F			115°F		
	E.D.B.	E.W.B.	T.C.	S.C.	K.W.	T.C.	S.C.	K.W.	T.C.	S.C.	K.W.	T.C.	S.C.	K.W.	T.C.	S.C.	K.W.	T.C.	S.C.	K.W.
1050	80	62	36.4	29.5	2.13	35.0	29.2	2.36	33.5	29.3	2.60	31.8	28.8	2.87	30.1	29.6	3.17	28.3	27.8	3.51
	80	67	39.2	24.0	2.16	37.7	23.9	2.39	36.0	24.1	2.63	34.2	23.6	2.90	32.3	23.2	3.21	30.1	22.0	3.55
	80	72	42.9	18.5	2.21	41.1	18.4	2.43	39.2	18.7	2.68	37.0	18.3	2.94	34.6	18.0	3.24	32.3	18.3	3.59
	75	63	36.6	23.4	2.14	35.2	23.2	2.36	33.7	23.4	2.61	32.0	22.9	2.87	30.1	21.0	3.18	28.1	22.5	3.51
1200	80	62	37.4	31.8	2.14	35.9	32.3	2.37	34.4	31.5	2.62	32.7	30.9	2.88	31.1	30.1	3.19	29.3	29.1	3.53
	80	67	40.1	25.8	2.17	38.5	26.5	2.40	36.8	25.8	2.64	34.9	25.5	2.91	32.9	25.5	3.22	30.7	25.3	3.56
	80	72	43.4	19.6	2.21	41.4	20.5	2.44	39.5	19.8	2.68	37.5	19.6	2.95	35.3	19.6	3.25	32.9	19.6	3.60
	75	63	37.5	25.1	2.14	36.0	25.7	2.37	34.4	25.0	2.62	32.6	24.7	2.88	30.7	24.6	3.18	28.7	24.4	3.52
1350	80	62	38.3	34.2	2.14	36.8	34.3	2.38	35.3	32.9	2.63	33.8	32.1	2.90	32.1	31.0	3.20	30.2	30.0	3.55
	80	67	40.8	27.9	2.18	39.2	28.2	2.41	37.4	27.5	2.65	35.5	27.4	2.92	33.4	27.1	3.22	31.1	27.1	3.56
	80	72	43.8	21.1	2.22	42.0	21.5	2.44	40.1	20.9	2.69	38.0	20.8	2.96	35.7	20.7	3.26	33.3	20.7	3.60
	75	63	38.2	27.1	2.15	36.7	27.3	2.38	35.0	26.6	2.62	33.2	26.4	2.89	31.2	26.1	3.19	29.1	26.0	3.53

PPH2RFX48K High Speed

CFM	O.D.T		65°F			75°F			85°F			95°F			105°F			115°F		
	E.D.B.	E.W.B.	T.C.	S.C.	K.W.	T.C.	S.C.	K.W.	T.C.	S.C.	K.W.	T.C.	S.C.	K.W.	T.C.	S.C.	K.W.	T.C.	S.C.	K.W.
1250	80	62	47.5	37.1	2.91	45.8	36.8	3.18	43.9	37.0	3.48	41.7	36.3	3.80	39.4	38.2	4.16	36.9	35.7	4.55
	80	67	51.6	30.5	2.97	49.8	30.3	3.23	47.6	30.6	3.53	45.3	30.0	3.85	42.7	29.4	4.21	39.9	27.4	4.61
	80	72	56.8	23.7	3.02	54.7	23.7	3.30	52.3	24.1	3.59	49.6	23.6	3.91	46.6	23.2	4.27	43.1	23.6	4.67
	75	63	48.0	29.7	2.92	46.3	29.5	3.19	44.3	29.7	3.49	42.1	29.0	3.81	39.7	26.5	4.17	37.0	28.5	4.56
1450	80	62	49.1	40.6	2.93	47.3	41.4	3.20	45.3	40.4	3.50	43.1	39.9	3.82	40.8	39.4	4.18	38.4	38.1	4.58
	80	67	53.2	33.0	2.98	51.2	33.9	3.25	49.0	33.1	3.55	46.5	32.7	3.87	43.8	32.6	4.23	40.8	32.4	4.63
	80	72	58.1	25.4	3.04	55.8	26.6	3.31	53.1	25.8	3.60	50.2	25.5	3.92	47.3	25.5	4.28	44.1	25.5	4.69
	75	63	49.5	32.0	2.94	47.6	32.9	3.21	45.6	32.0	3.50	43.3	31.6	3.82	40.7	31.4	4.18	38.0	31.1	4.58
1650	80	62	50.5	44.3	2.95	48.7	44.5	3.22	46.7	43.3	3.52	44.6	42.3	3.84	42.4	40.9	4.20	39.9	39.7	4.61
	80	67	54.4	35.9	3.00	52.4	36.4	3.27	50.0	35.5	3.56	47.5	35.4	3.88	44.7	35.0	4.24	41.6	35.0	4.64
	80	72	58.6	27.5	3.04	56.4	28.1	3.32	53.9	27.3	3.62	51.1	27.2	3.94	48.1	27.0	4.30	44.8	27.1	4.70
	75	63	50.7	34.8	2.95	48.7	35.1	3.22	46.6	34.3	3.52	44.2	34.0	3.84	41.6	33.6	4.19	38.7	33.5	4.59

PPH2RFX60K High Speed

CFM	O.D.T		65°F			75°F			85°F			95°F			105°F			115°F		
	E.D.B.	E.W.B.	T.C.	S.C.	K.W.	T.C.	S.C.	K.W.	T.C.	S.C.	K.W.	T.C.	S.C.	K.W.	T.C.	S.C.	K.W.	T.C.	S.C.	K.W.
1500	80	62	57.9	48.0	3.55	55.8	47.5	3.84	53.4	47.4	4.19	50.8	46.1	4.59	47.9	45.1	5.05	44.3	43.1	5.62
	80	67	62.5	40.6	3.61	60.3	39.6	3.90	57.7	38.5	4.26	54.9	37.2	4.65	51.7	35.9	5.11	47.6	34.1	5.68
	80	72	69.2	32.7	3.70	66.7	31.8	3.99	63.7	30.8	4.33	60.5	29.7	4.73	56.8	28.5	5.20	51.8	26.9	5.76
	75	63	58.4	39.4	3.56	56.2	38.5	3.85	53.9	37.3	4.20	51.2	36.0	4.60	48.2	34.7	5.06	44.4	33.0	5.63
1650	80	62	59.1	50.6	3.56	57.0	50.7	3.86	54.5	50.0	4.20	51.8	49.1	4.60	48.9	47.5	5.07	45.2	45.2	5.64
	80	67	63.9	42.4	3.63	61.5	41.4	3.92	58.8	40.2	4.26	55.6	39.0	4.66	52.6	37.7	5.12	48.3	35.9	5.69
	80	72	70.3	34.0	3.71	67.7	33.1	4.01	64.6	32.1	4.35	61.1	30.9	4.74	57.0	29.7	5.20	51.8	27.9	5.76
	75	63	59.6	41.1	3.58	57.4	40.1	3.87	54.9	39.0	4.21	52.1	37.7	4.61	49.0	36.4	5.08	45.1	34.6	5.64
1800	80	62	60.2	53.7	3.58	58.0	53.2	3.87	55.5	53.0	4.22	52.8	51.5	4.62	49.9	49.6	5.08	46.3	46.3	5.66
	80	67	64.9	44.2	3.65	62.5	43.2	3.93	59.7	42.0	4.27	56.7	40.8	4.67	53.4	39.4	5.14	49.0	37.6	5.71
	80	72	71.0	35.3	3.72	68.3	34.3	4.02	65.0	33.3	4.35	60.9	32.0	4.74	57.2	30.7	5.20	52.4	28.9	5.77
	75	63	60.6	42.9	3.59	58.3	41.8	3.88	55.7	40.7	4.22	52.9	39.4	4.62	49.8	38.0	5.09	45.7	36.2	5.65

HEAT PUMP HEATING EXPANDED RATINGS

PPH2RFX24K High Speed

		OUTDOOR TEMPERATURE (Deg. F)																							
CFM	Indoor T. Deg.F	10			17			20			30			40			47			50			60		
		MBH	COP	kW	MBH	COP	kW	MBH	COP	kW	MBH	COP	kW	MBH	COP	kW	MBH	COP	kW	MBH	COP	kW	MBH	COP	kW
700	60	9.7	1.89	1.52	12.5	2.36	1.56	13.7	2.56	1.58	17.7	3.18	1.64	21.7	3.76	1.70	24.5	4.14	1.74	25.7	4.30	1.76	29.7	4.80	1.82
	70	9.2	1.85	1.46	11.8	2.28	1.52	13.0	2.45	1.55	16.7	3.00	1.63	20.5	3.49	1.72	23.1	3.80	1.78	24.2	3.93	1.81	28.0	4.34	1.89
	80	8.6	1.76	1.43	11.1	2.16	1.50	12.1	2.32	1.53	15.6	2.82	1.63	19.2	3.25	1.73	21.6	3.53	1.80	22.7	3.64	1.82	26.2	3.99	1.92
800	60	9.8	1.84	1.56	12.6	2.32	1.60	13.9	2.52	1.62	17.9	3.14	1.67	22.0	3.72	1.73	24.8	4.11	1.77	26.1	4.27	1.79	30.1	4.78	1.85
	70	9.3	1.81	1.51	12.0	2.24	1.57	13.1	2.41	1.59	16.9	2.96	1.68	20.7	3.45	1.76	23.4	3.78	1.82	24.5	3.91	1.84	28.3	4.32	1.92
	80	8.7	1.74	1.47	11.2	2.14	1.54	12.3	2.30	1.57	15.9	2.79	1.67	19.5	3.22	1.77	22.0	3.50	1.84	23.0	3.61	1.87	26.6	3.96	1.97
900	60	10.0	1.82	1.60	12.8	2.29	1.64	14.0	2.49	1.66	18.1	3.11	1.71	22.2	3.70	1.76	25.1	4.09	1.80	26.3	4.25	1.81	30.4	4.77	1.87
	70	9.4	1.78	1.55	12.1	2.21	1.61	13.3	2.39	1.63	17.1	2.94	1.71	21.0	3.43	1.79	23.7	3.76	1.85	24.8	3.89	1.87	28.7	4.31	1.95
	80	8.9	1.72	1.51	11.4	2.11	1.58	12.5	2.27	1.61	16.1	2.75	1.71	19.6	3.18	1.81	22.2	3.45	1.88	23.2	3.56	1.91	26.8	3.91	2.01

PPH2RFX36K High Speed

		OUTDOOR TEMPERATURE (Deg. F)																							
CFM	Indoor T. Deg.F	10			17			20			30			40			47			50			60		
		MBH	COP	kW	MBH	COP	kW	MBH	COP	kW	MBH	COP	kW	MBH	COP	kW	MBH	COP	kW	MBH	COP	kW	MBH	COP	kW
1050	60	15.4	2.21	2.04	19.3	2.62	2.16	21.0	2.79	2.20	26.5	3.29	2.37	32.1	3.73	2.53	36.1	4.00	2.64	37.7	4.11	2.69	43.3	4.45	2.85
	70	14.7	2.08	2.07	18.5	2.46	2.21	20.1	2.60	2.26	25.5	3.05	2.45	30.8	3.43	2.64	34.6	3.66	2.77	36.2	3.76	2.83	41.6	4.05	3.01
	80	14.1	1.95	2.13	17.7	2.29	2.27	19.3	2.42	2.33	24.4	2.82	2.54	29.6	3.16	2.75	33.2	3.37	2.89	34.7	3.45	2.95	39.9	3.70	3.16
1200	60	15.5	2.17	2.10	19.5	2.59	2.21	21.2	2.76	2.25	26.9	3.27	2.41	32.5	3.72	2.56	36.5	4.01	2.67	38.2	4.12	2.72	43.9	4.48	2.88
	70	14.9	2.05	2.13	18.7	2.43	2.26	20.4	2.58	2.31	25.8	3.03	2.49	31.2	3.43	2.67	35.1	3.67	2.80	36.7	3.77	2.85	42.1	4.08	3.03
	80	14.3	1.92	2.18	18.0	2.27	2.32	19.5	2.40	2.38	24.8	2.81	2.58	30.0	3.16	2.79	33.7	3.38	2.93	35.3	3.46	2.99	40.5	3.73	3.19
1350	60	15.6	2.13	2.15	19.7	2.56	2.25	21.4	2.73	2.30	27.1	3.25	2.45	32.9	3.71	2.60	36.9	4.00	2.71	38.7	4.12	2.75	44.4	4.49	2.90
	70	15.1	2.03	2.18	19.0	2.41	2.31	20.6	2.56	2.36	26.1	3.02	2.53	31.6	3.43	2.71	35.5	3.68	2.83	37.2	3.78	2.88	42.7	4.09	3.06
	80	14.5	1.90	2.24	18.2	2.25	2.37	19.8	2.39	2.43	25.1	2.80	2.63	30.3	3.15	2.82	34.0	3.37	2.96	35.6	3.46	3.02	40.9	3.74	3.21

PPH2RFX48K High Speed

		OUTDOOR TEMPERATURE (Deg. F)																							
CFM	Indoor T. Deg.F	10			17			20			30			40			47			50			60		
		MBH	COP	kW	MBH	COP	kW	MBH	COP	kW	MBH	COP	kW	MBH	COP	kW	MBH	COP	kW	MBH	COP	kW	MBH	COP	kW
1250	60	23.4	2.44	2.81	27.5	2.78	2.90	29.3	2.92	2.94	35.2	3.36	3.07	41.1	3.76	3.21	45.2	4.02	3.30	47.0	4.13	3.34	52.9	4.47	3.47
	70	22.6	2.24	2.95	26.6	2.55	3.05	28.3	2.68	3.10	34.0	3.08	3.24	39.8	3.45	3.38	43.8	3.68	3.48	45.5	3.78	3.53	51.2	4.09	3.67
	80	22.1	2.07	3.12	25.9	2.35	3.23	27.6	2.47	3.27	33.1	2.83	3.43	38.6	3.16	3.58	42.4	3.37	3.68	44.1	3.46	3.73	49.6	3.74	3.88
1450	60	23.6	2.42	2.86	27.8	2.77	2.95	29.6	2.91	2.98	35.6	3.37	3.11	41.7	3.78	3.23	45.9	4.06	3.32	47.7	4.17	3.35	53.7	4.53	3.48
	70	22.9	2.23	3.01	27.0	2.55	3.10	28.7	2.68	3.14	34.5	3.09	3.27	40.3	3.47	3.41	44.4	3.72	3.50	46.1	3.82	3.54	52.0	4.15	3.67
	80	22.3	2.05	3.18	26.2	2.34	3.28	27.9	2.46	3.32	33.5	2.84	3.46	39.1	3.19	3.60	43.1	3.41	3.70	44.7	3.51	3.74	50.4	3.80	3.88
1650	60	23.7	2.39	2.91	28.0	2.75	2.99	29.9	2.89	3.03	36.0	3.36	3.15	42.2	3.79	3.27	46.5	4.07	3.35	48.3	4.18	3.38	54.4	4.56	3.50
	70	23.2	2.22	3.06	27.3	2.54	3.15	29.1	2.68	3.19	35.0	3.10	3.31	40.9	3.49	3.44	45.0	3.74	3.53	46.8	3.85	3.56	52.7	4.19	3.69
	80	22.6	2.05	3.23	26.5	2.34	3.33	28.2	2.46	3.37	33.9	2.85	3.50	39.6	3.20	3.63	43.6	3.44	3.72	45.3	3.53	3.76	51.0	3.84	3.89

PPH2RFX60K High Speed

		OUTDOOR TEMPERATURE (Deg. F)																							
CFM	Indoor T. Deg.F	10			17			20			30			40			47			50			60		
		MBH	COP	kW	MBH	COP	kW	MBH	COP	kW	MBH	COP	kW	MBH	COP	kW	MBH	COP	kW	MBH	COP	kW	MBH	COP	kW
1450	60	26.2	2.32	3.31	32.1	2.69	3.50	34.6	2.84	3.58	43.0	3.28	3.84	51.4	3.67	4.11	57.3	3.91	4.29	59.8	4.01	4.37	68.2	4.31	4.64
	70	25.3	2.10	3.54	31.1	2.44	3.73	33.6	2.58	3.82	41.8	2.99	4.10	50.1	3.36	4.37	55.9	3.58	4.57	58.3	3.68	4.65	66.6	3.96	4.93
	80	24.8	1.92	3.79	30.4	2.23	4.00	32.9	2.36	4.09	40.9	2.74	4.38	48.9	3.07	4.68	54.6	3.27	4.89	57.0	3.36	4.98	65.0	3.61	5.28
1650	60	26.5	2.32	3.35	32.4	2.70	3.53	35.0	2.85	3.60	43.5	3.31	3.85	52.0	3.72	4.11	58.0	3.97	4.28	60.6	4.08	4.36	69.1	4.40	4.61
	70	25.7	2.11	3.58	31.5	2.46	3.76	34.0	2.60	3.84	42.3	3.03	4.10	50.7	3.40	4.37	56.5	3.64	4.55	59.0	3.74	4.63	67.3	4.04	4.89
	80	25.0	1.92	3.83	30.8	2.24	4.03	33.2	2.37	4.11	41.3	2.76	4.39	49.5	3.11	4.66	55.2	3.33	4.86	57.6	3.42	4.94	65.8	3.70	5.22
1850	60	26.5	2.30	3.39	32.6	2.68	3.56	35.2	2.84	3.63	43.9	3.32	3.88	52.5	3.73	4.13	58.6	4.00	4.30	61.2	4.11	4.37	69.9	4.44	4.62
	70	26.0	2.10	3.62	31.9	2.46	3.80	34.4	2.60	3.87	42.8	3.04	4.13	51.2	3.43	4.38	57.1	3.68	4.55	59.6	3.78	4.63	68.0	4.09	4.88
	80	25.3	1.92	3.88	31.1	2.25	4.06	33.6	2.38	4.14	41.8	2.78	4.40	50.0	3.15	4.66	55.8	3.38	4.84	58.2	3.47	4.92	66.4	3.76	5.18



MAYTAG

Before purchasing this appliance, read important energy cost and efficiency information available from your retailer. Specifications and illustrations subject to change without notice and without incurring obligations.

Manufactured under license by NORDYNE, O'Fallon, MO. ©Registered Trademark/™ Trademark of Maytag Corporation or its related companies. ©2012. All rights reserved.

332D - 0212 (Replaces 332D-0211)

Printed in U.S.A. (02/12)