

---

# TECHNICAL SPECIFICATIONS

---

## Q4SE Series

### Single Packaged Heat Pump, Single Phase

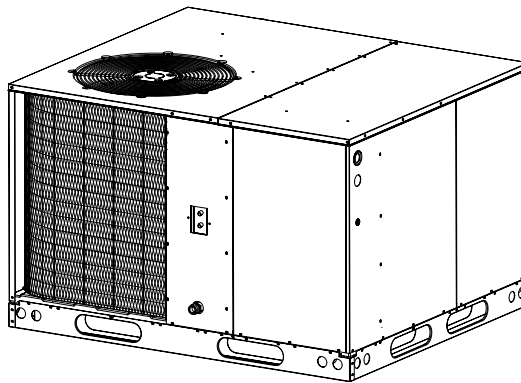
**Q4SE-14 SEER**

**2 - 5 Ton Units**

**Cooling: 23,600 to 56,500 Btuh**

**Heating: 22,200 to 55,500 Btuh**

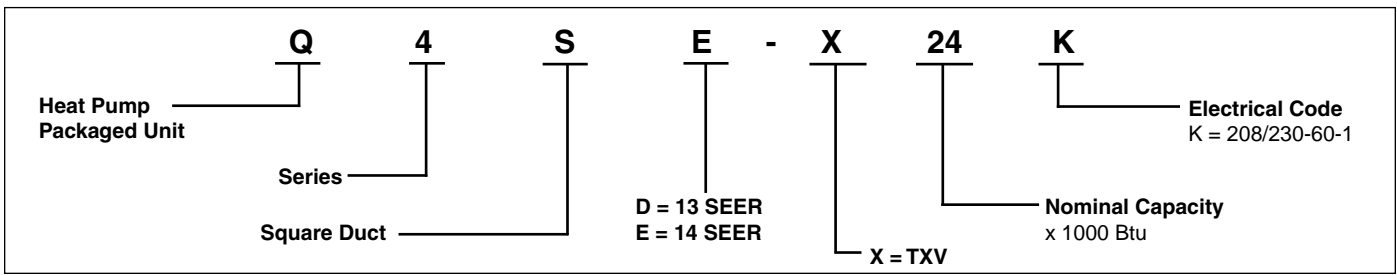
The Q4SE Series single packaged heat pumps are high efficiency self contained cooling and heating units that can be installed on a roof or on a slab. The convertible unit design makes installations simple in all applications. Units are ETL and ETLc listed.



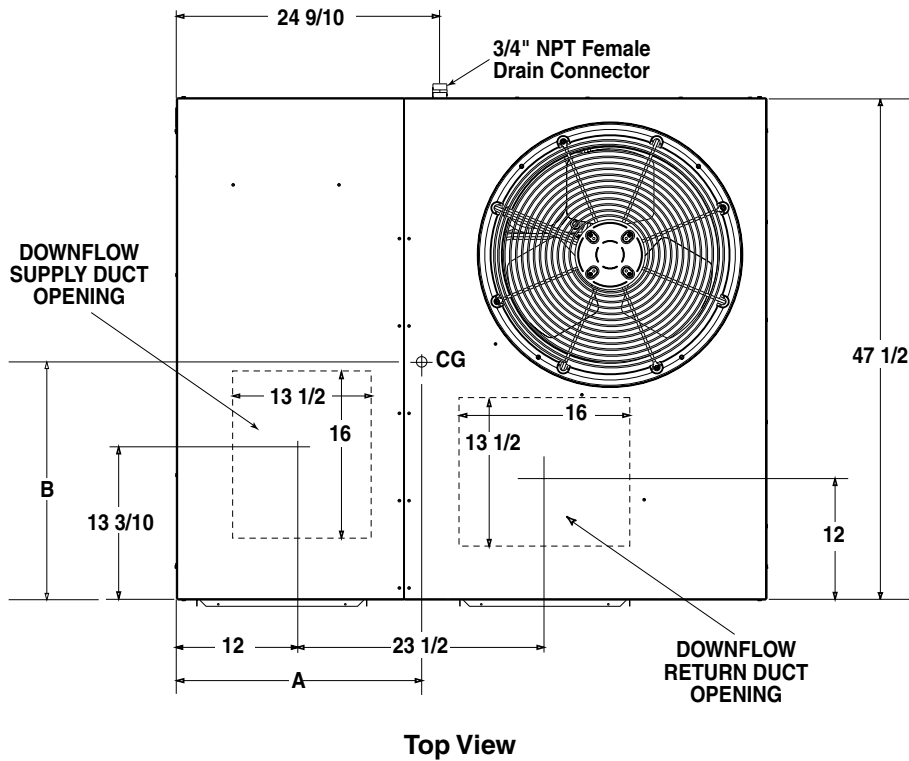
### FEATURES AND BENEFITS

- **Compact Footprint/Low Profile**  
Easy to handle and transport.
- **Heavy-Gauge, Full Perimeter Base Rails**  
Facilitates forklift handling and curb mounting.
- **Convertible Air Delivery**  
Horizontal or downflow to accommodate rooftop or horizontal application.
- **Galvanized Steel Cabinet**  
Polyurethane finish provides 950 hours salt spray protection.
- **Plastic Coated Coil Guard and Mesh Hail Guard**  
Will never rust and protects the coil from being damaged by balls, lawnmowers, hail etc.
- **Access to Controls and Major Components**  
Easy in and out service.
- **Hi/Low Pressure Switches**  
Added compressor protection.
- **Externally Accessible Service Ports**  
Quick access to refrigerant system without disrupting operation.
- **Corrosion-Resistant Drain Pan**  
Quickly drains away evaporator condensate.
- **Service Access Panels**  
Allows easy access to all major components and the compressor. Designed to make servicing easier for the Contractor.
- **Easy to Install**  
Electric heat strip provides up to 20 KW of heat output.
- **Proven, Industry Standard Components**  
Easier service and availability.
- **Demand Defrost Standard**  
Provides additional energy savings in heating by defrosting only when necessary.
- **Copeland Ultra-Tech Compressor**  
2 stage heat/cool.
- **R410A Refrigerant**  
Environmentally friendly.
- **ECM Variable Speed Motor**  
Advanced technology allows the motor to automatically adjust to different static loads. The variable speed motor allows for extra quiet operation and improved air quality.
- **Quiet Operation and Low Vibration**  
Compressor sound blanket.
- **1 Year Limited Parts Warranty**
- **1 Year Limited Labor Warranty**
- **5 Year Limited Compressor Warranty**

# MODEL IDENTIFICATION CODE



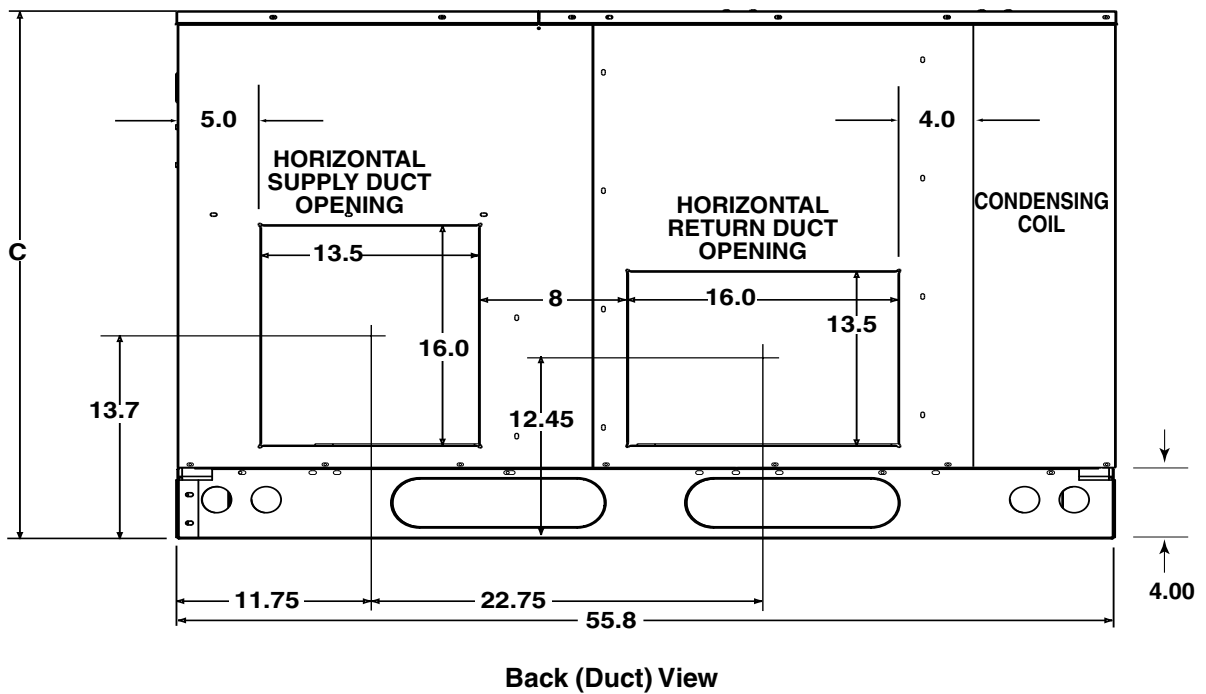
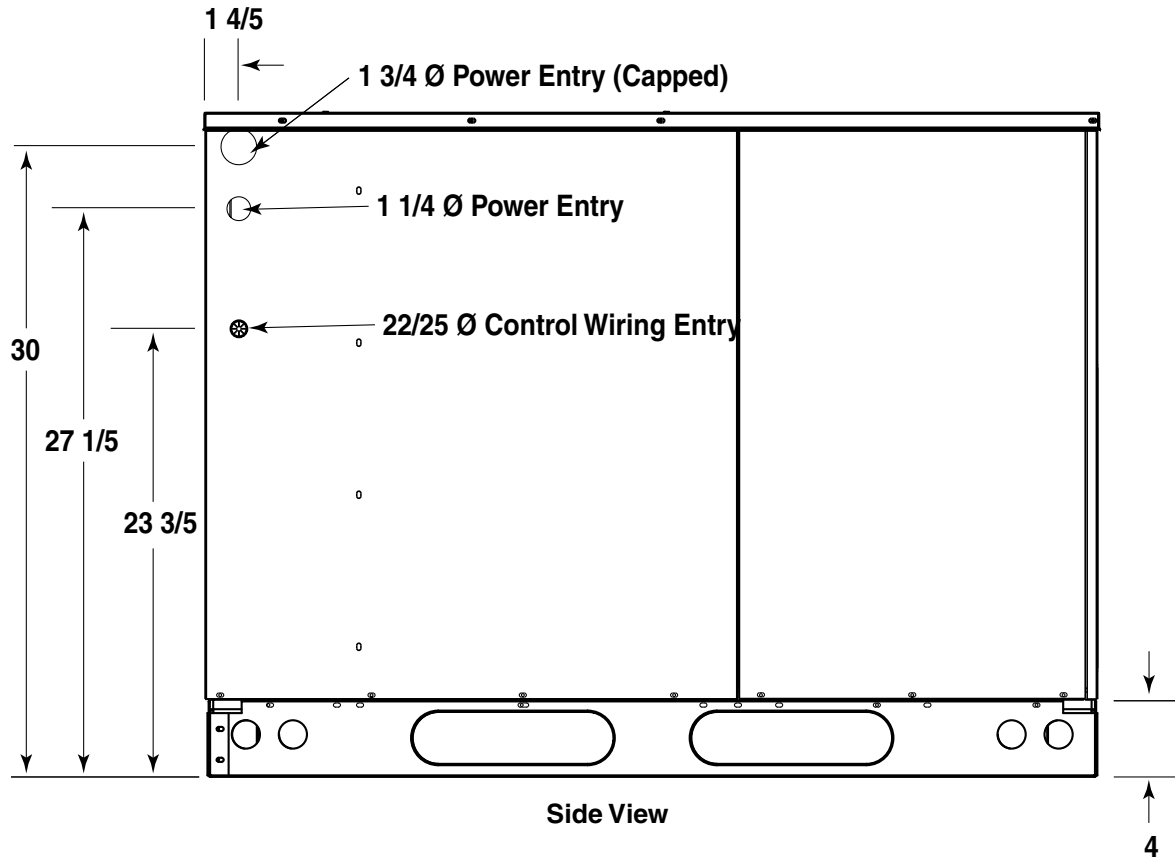
# DIMENSIONS



Top View

Model Number Q4S( )-	Unit Weight	Center of Gravity		Height (in inches)	
		A	B	C	
				with base rails	without base rails
X24	450	28.0	25.5	39.0	35.3
X36	460	28.0	25.5	39.0	35.3
X48	570	29.5	26.0	43.0	39.3
X60	580	29.5	26.0	43.0	39.3

# DIMENSIONS (Continued)



## SPECIFICATIONS

Model Number	Q4S(-)			
	X24K	X36K	X48K	X60K
<b>Performance</b>				
Capacity - Heating BTUH	22,200	33,000	42,500	55,500
Efficiency - HSPF	7.8	8.0	8.0	8.0
Capacity - Cooling BTUH	23,600	34,000	44,000	56,500
Efficiency - SEER	14.20	14.00	14.50	14.00
EER (Btuh/watt)	11.0	11.0	11.0	11.0
<b>Electrical Rating - 60 Hz</b>				
Phase	1	1	1	1
Operating Voltage Range	187-253	187-253	187-253	187-253
<b>Compressor Data</b>				
Volts	208-230	208-230	208-230	208-230
Rated Load Amps	11.4	19.0	24.0	26.0
Lock Rotor Amps	52	82	96	118
<b>Indoor Blower</b>				
Type	Var. Sp.	Var. Sp.	Var. Sp.	Var. Sp.
Motor HP	1/2	1/2	3/4	3/4
Motor RPM Range	490-740	490-740	645-950	645-950
Motor - Amps	4.3	4.3	6.8	6.8
<b>Outdoor Fan</b>				
Motor - HP / RPM	1/4 - 825	1/4 - 1100	1/4 - 1100	1/3 - 1000
Motor - Amps	1.4	1.2	1.2	1.5
Fan Diameter / CFM	20 / 3200	20 / 3800	20 / 3800	20 / 4000
<b>Refrigerant Charge - Oz.</b>	112.0	126.4	264	236.8
<b>Net Weight lbs.</b>	450	460	570	580
<b>Shipping weight lbs.</b>	460	470	580	590

# ELECTRICAL DATA

Model Number	Heater Installed Norm. KW	Multiple Supply Circuit Option																							
		Single Supply Circuit Option						Circuit A (Compressor & Fan)						Circuit B (Blower & Heater)						Circuit C (Heater Only)					
		Minimum Circuit Amp.	Rec. Wire Gage (60°C Cu)	Rec. Wire Gage (75°C Cu)	Rec. Wire Gage (90°C Cu)	Maximum Over-current Rating *	Minimum Circuit Amp.	Rec. Wire Gage (60°C Cu)	Rec. Wire Gage (75°C Cu)	Rec. Wire Gage (90°C Cu)	Maximum Over-current Rating *	Minimum Circuit Amp.	Rec. Wire Gage (60°C Cu)	Rec. Wire Gage (75°C Cu)	Rec. Wire Gage (90°C Cu)	Maximum Over-current Rating *	Minimum Circuit Amp.	Rec. Wire Gage (60°C Cu)	Rec. Wire Gage (75°C Cu)	Rec. Wire Gage (90°C Cu)	Maximum Over-current Rating *				
Q4SE-X24K	0	20	12	12	12	30	-	-	-	-	-	-	-	-	-	-	-	-	-	-	-				
	5	45	6	8	8	50	-	-	-	-	-	-	-	-	-	-	-	-	-	-	-				
	8	59.5	4	6	6	60	15.7	12	12	12	25	43.9	6	8	8	45	-	-	-	-	-				
	10	70	4	4	6	70	15.7	12	12	12	25	54.3	6	6	8	60	-	-	-	-	-				
	15	95.0	2	3	4	100	40.7	6	8	8	45	54.3	6	6	8	60	-	-	-	-	-	-			
	20	120	1	2	3	110	50	6	8	8	60	54.3	6	6	8	60	-	-	-	-	-	-			
Q4SE-X36K	0	29.3	10	10	10	45	-	-	-	-	-	-	-	-	-	-	-	-	-	-	-				
	5	54.3	6	6	8	60	-	-	-	-	-	-	-	-	-	-	-	-	-	-	-				
	8	68.8	4	4	6	70	25	10	10	10	40	43.9	6	8	8	45	-	-	-	-	-				
	10	79.3	3	4	4	80	25	10	10	10	40	54.3	6	6	8	60	-	-	-	-	-				
	15	104.3	1	2	3	110	50	6	8	8	60	54.3	6	6	8	60	-	-	-	-	-	-			
	20	138.0	0	0	1	150	31.2	8	8	8	50	56.8	4	6	6	60	-	-	-	-	-	-			
Q4SE-X48K	0	38	8	8	8	60	-	-	-	-	-	-	-	-	-	-	-	-	-	-	-				
	5	63	4	6	6	80	31.2	8	8	8	50	31.8	8	8	8	35	-	-	-	-	-				
	8	77.6	3	4	4	90	31.2	8	8	8	50	46.4	6	8	8	50	-	-	-	-	-				
	10	88.0	2	3	4	100	31.2	8	8	8	50	56.8	4	6	6	60	-	-	-	-	-				
	15	113.0	0	2	2	125	31.2	8	8	8	50	56.8	4	6	6	60	25	10	10	10	10	30			
	20	138.0	0	0	1	150	31.2	8	8	8	50	56.8	4	6	6	60	50	6	8	8	8	60			
Q4SE-X60K	0	40.8	6	8	8	60	-	-	-	-	-	-	-	-	-	-	-	-	-	-	-				
	5	65.8	4	4	6	80	34	8	8	8	60	31.8	8	8	8	35	-	-	-	-	-				
	8	80.4	3	4	4	90	34	8	8	8	60	46.4	6	8	8	50	-	-	-	-	-				
	10	90.8	2	3	4	100	34	8	8	8	60	56.8	4	6	6	60	-	-	-	-	-				
	15	115.8	0	1	2	125	34	8	8	8	60	56.8	4	6	6	60	25	10	10	10	10	30			
	20	140.8	0	0	1	150	34	8	8	8	60	56.8	4	6	6	60	50	6	8	8	8	60			

\*When overcurrent rating exceeds 60, internal circuit breakers must be installed in addition to branch circuit protection at distribution panel.

# BLOWER PERFORMANCE

## Basic Air-Flow Settings

1/2 HP Motor					1/2 HP Motor					3/4 HP Motor								
SWITCH				Nominal	SWITCH				Nominal	SWITCH				Nominal				
CFM	1	2	3	4	2.0	CFM	1	2	3	4	3.0	CFM	1	2	3	4	4.0	5.0
720	0	0	0	0	T O N	1080	0	0	0	1	3 T O N	1395	0	0	0	1	4 T O N	5 T O N
800	0	0	0	1		1200	0	0	0	0		1485	1	0	0	1		
810	1	0	0	1		1215	1	0	0	1		1550	0	0	0	0		
880	0	0	1	0		1260	0	1	0	1		1620	0	1	0	1		
900	1	0	0	0		1320	0	0	1	0		1650	1	0	0	0		
945	0	1	0	1		1350	1	0	0	0		1705	0	0	1	0		
990	1	0	1	0		1395	1	1	0	1		1710	1	1	0	1		
1035	1	1	0	0		1400	0	1	0	0		1800	0	1	0	0		
1050	0	1	0	0		1485	1	0	1	0		1815	1	0	1	0		
1150	1	1	0	0		1540	0	1	1	0		1900	1	1	0	0		
1155	0	1	1	0	1550	1	1	0	0	1980	0	1	1	0				
1265	1	1	1	0	1705	1	1	1	0	2090	1	1	1	0				

Note: 1=ON, 0=OFF

## Air Flow Selection for Variable Speed Motors

Nominal KW	CFM	Switch Number							
		1	2	3	4	5	6	7	8
0-5	500					0	0		
6-10	700					1	0		
11-15	900					0	1		
16-20	1100					1	1		

Note: 1=ON, 0=OFF

## Minimum Electric Heat Airflow (all models)

Delay Description	Switch Number							
	1	2	3	4	5	6	7	8
Delay A							0	0
Delay B							0	1
No Delay							1	0
De-Hum.							1	1

Note: 1=ON, 0=OFF

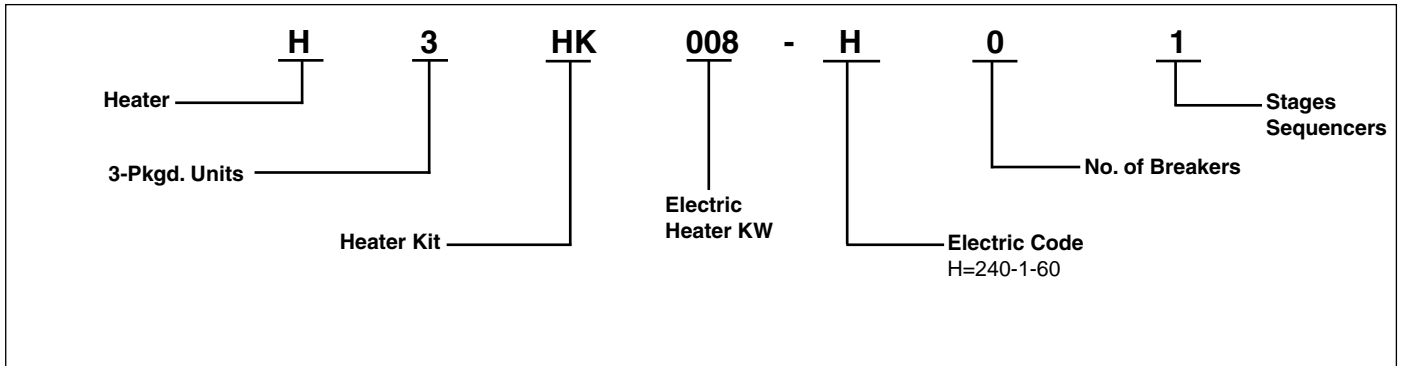
## Delay Settings (all models)

# HEATER APPLICATION MATRIX

Model Number	H3HK-005H-01B	H3HK-008H-01B	H3HK-010H-01B	H3HK-015H-01B	H3HK-020H-01B	H3HK-015H-21B	H3HK-020H-21B
	917166B	917167B	917168B	917169B	917170B	917172B	917173B
Q4S()-X24K	X	X(2)	X(2)	X(2)	NA	X	NA
Q4S()-X36K	X	X(2)	X(2)	X(2)	NA	X	NA
Q4S()-X48K	X(2)	X(2)	X(2)	X(3)	X(3)	X(1)	X(1)
Q4S()-X60K	X(2)	X(2)	X(2)	X(3)	X(3)	X(1)	X(1)

NA = Not Applicable.  
 ( ) = Number of internal circuit breaker kits required.

## MODEL IDENTIFICATION CODE



**EXPANDED COOLING PERFORMANCE - 14 SEER H.P.**

**Q4SE-X24K**

CFM	O.D.T			85°F			95°F			105°F			115°F		
	E.D.B.	E.W.B.		T.C.	S.C.	K.W.	T.C.	S.C.	K.W.	T.C.	S.C.	K.W.	T.C.	S.C.	K.W.
	700	80	62		22.2	18.8	1.81	21.0	18.8	2.00	19.8	19.2	2.23	18.5	18.4
	80	67		24.5	15.4	1.73	23.3	15.0	1.92	22.0	14.5	2.13	20.5	14.0	2.37
	80	72		26.4	11.8	1.75	25.0	11.4	1.95	23.6	10.9	2.16	22.0	10.4	2.40
	75	63		22.8	15.2	1.72	21.7	15.2	1.90	20.5	15.0	2.11	19.1	14.7	2.35
850	80	62		23.1	20.8	1.82	22.0	20.9	2.02	20.8	20.3	2.24	19.5	19.5	2.49
	80	67		25.3	17.1	1.74	24.0	16.6	1.93	22.6	16.1	2.14	21.1	15.5	2.38
	80	72		27.2	12.8	1.76	25.8	12.3	1.95	24.2	11.8	2.17	22.5	11.3	2.41
	75	63		23.6	17.4	1.73	22.4	17.2	1.91	21.1	16.9	2.12	19.6	16.4	2.36
1000	80	62		24.1	22.3	1.83	23.0	21.8	2.03	21.7	21.7	2.25	20.3	20.3	2.51
	80	67		25.9	18.7	1.75	24.6	18.2	1.94	23.1	17.6	2.15	21.5	17.0	2.39
	80	72		27.7	13.7	1.77	26.2	13.2	1.96	24.6	12.7	2.18	22.9	12.1	2.42
	75	63		24.1	19.7	1.73	22.9	19.2	1.92	21.5	18.7	2.13	20.0	18.0	2.36

**Q4SE-X36K**

CFM	O.D.T			85°F			95°F			105°F			115°F		
	E.D.B.	E.W.B.		T.C.	S.C.	K.W.	T.C.	S.C.	K.W.	T.C.	S.C.	K.W.	T.C.	S.C.	K.W.
	1200	80	62		32.7	28.1	2.70	31.1	28.1	2.98	29.3	28.6	3.29	27.6	27.4
	80	67		35.3	22.7	2.73	33.5	22.0	3.01	31.5	21.3	3.33	29.4	20.6	3.68
	80	72		37.7	17.3	2.77	39.6	17.9	2.51	41.2	18.4	2.28	42.6	18.8	2.07
	75	63		32.4	23.8	2.70	30.8	23.6	2.97	29.0	23.3	3.28	27.0	22.8	3.63
1350	80	62		33.5	29.5	2.71	31.8	30.2	2.99	30.2	29.4	3.30	28.4	28.4	3.66
	80	67		35.9	24.1	2.74	34.0	23.4	3.02	32.1	22.5	3.33	29.8	21.7	3.69
	80	72		38.3	18.2	2.78	40.1	18.7	2.52	41.8	19.2	2.29	43.3	19.7	2.07
	75	63		33.0	25.9	2.70	31.3	25.6	2.98	29.4	25.1	3.29	27.4	24.4	3.64
1500	80	62		34.1	31.6	2.72	32.6	31.0	3.00	30.9	30.9	3.31	29.1	29.1	3.67
	80	67		36.4	25.1	2.75	34.5	24.4	3.03	32.5	23.7	3.34	30.2	22.9	3.69
	80	72		38.8	19.0	2.78	40.6	19.6	2.53	42.4	20.1	2.30	43.9	20.6	2.08
	75	63		33.5	28.2	2.71	31.7	27.7	2.99	29.8	26.9	3.30	27.8	25.9	3.65



**EXPANDED COOLING PERFORMANCE - 14 SEER H.P. (Cont.)**

**Q4SE-X48K**

O.D.T		85°F				95°F				105°F				115°F			
		E.D.B.	E.W.B.	T.C.	S.C.	K.W.	T.C.	S.C.	K.W.	T.C.	S.C.	K.W.	T.C.	S.C.	K.W.	T.C.	S.C.
1500	80	62	48.9	22.6	3.70	46.3	22.9	4.03	43.4	24.1	4.39	40.3	23.4	4.80	40.3	23.4	4.80
	80	67	45.7	29.7	3.65	43.4	28.8	3.98	40.7	27.8	4.34	37.9	26.7	4.74	37.9	26.7	4.74
	80	72	48.9	22.6	3.70	46.3	21.7	4.03	43.4	20.8	4.39	40.3	19.7	4.80	40.3	19.7	4.80
	75	63	41.9	30.7	3.59	39.7	30.7	3.91	37.3	30.2	4.28	34.7	29.4	4.67	34.7	29.4	4.67
1650	80	62	49.5	23.5	3.71	46.8	24.9	4.04	43.9	24.9	4.40	40.7	24.6	4.81	40.7	24.6	4.81
	80	67	46.4	31.2	3.66	44.0	30.2	3.99	41.3	29.2	4.35	38.4	28.1	4.76	38.4	28.1	4.76
	80	72	49.5	23.5	3.71	46.8	22.6	4.04	43.9	21.6	4.40	40.7	20.5	4.81	40.7	20.5	4.81
	75	63	42.6	33.4	3.60	40.3	33.0	3.92	37.9	32.2	4.29	35.2	31.2	4.68	35.2	31.2	4.68
1800	80	62	50.1	25.6	3.72	47.3	25.8	4.05	44.4	26.8	4.41	41.1	25.3	4.82	41.1	25.3	4.82
	80	67	47.0	32.6	3.67	44.5	31.7	4.00	41.8	30.6	4.36	38.8	29.4	4.77	38.8	29.4	4.77
	80	72	50.1	24.3	3.72	47.3	23.4	4.05	44.4	22.4	4.41	41.1	21.2	4.82	41.1	21.2	4.82
	75	63	43.1	36.3	3.61	40.8	35.4	3.93	38.4	34.3	4.30	35.6	32.9	4.69	35.6	32.9	4.69

**Q4SE-X60K**

O.D.T		85°F				95°F				105°F				115°F			
		E.D.B.	E.W.B.	T.C.	S.C.	K.W.	T.C.	S.C.	K.W.	T.C.	S.C.	K.W.	T.C.	S.C.	K.W.	T.C.	S.C.
1600	80	62	52.0	41.5	4.47	49.4	41.6	4.95	46.6	42.7	5.46	43.5	41.7	6.03	43.5	41.7	6.03
	80	67	56.3	34.3	4.55	53.5	33.3	5.02	50.4	32.2	5.56	47.0	31.0	6.13	47.0	31.0	6.13
	80	72	61.5	26.3	4.64	58.2	25.4	5.12	54.5	24.5	5.65	50.7	23.4	6.23	50.7	23.4	6.23
	75	63	51.7	35.5	4.59	49.2	35.6	5.02	46.3	35.1	5.60	43.2	34.3	6.13	43.2	34.3	6.13
1800	80	62	53.2	44.2	4.49	50.6	45.6	4.97	47.7	45.2	5.49	44.5	44.5	6.06	44.5	44.5	6.06
	80	67	57.6	36.5	4.57	54.6	35.5	5.05	51.4	34.4	5.58	47.8	33.2	6.15	47.8	33.2	6.15
	80	72	62.1	27.7	4.66	59.0	26.8	5.14	55.4	25.8	5.67	51.6	24.6	6.25	51.6	24.6	6.25
	75	63	52.9	39.2	4.59	50.2	38.8	5.05	47.3	37.6	5.58	44.0	36.6	6.15	44.0	36.6	6.15
2000	80	62	54.4	48.0	4.51	51.7	47.8	4.99	48.6	48.6	5.51	45.7	45.7	6.09	45.7	45.7	6.09
	80	67	58.6	38.7	4.59	55.5	37.6	5.06	52.2	36.5	5.60	48.6	34.7	6.17	48.6	34.7	6.17
	80	72	63.2	29.0	4.68	59.9	28.1	5.16	56.2	27.0	5.69	52.3	25.9	6.27	52.3	25.9	6.27
	75	63	54.0	42.5	4.56	51.2	41.7	5.06	48.1	40.5	5.56	44.7	39.1	6.17	44.7	39.1	6.17

**EXPANDED HEATING PERFORMANCE - 14 SEER H.P.**

**Q4SE X24**

Indoor T. Deg.F		OUTDOOR TEMPERATURE (Deg. F)																							
		10			17			20			30			40			47			50			60		
		CFM	MBH	COP	kW	MBH	COP	kW	MBH	COP	kW	MBH	COP	kW	MBH	COP	kW	MBH	COP	kW	MBH	COP	kW		
700	60	10.0	1.88	1.57	12.6	2.31	1.60	13.7	2.49	1.61	17.3	3.06	1.66	21.0	3.61	1.70	23.5	3.98	1.73	24.6	4.13	1.75	28.2	4.62	1.79
	70	9.5	1.83	1.52	11.9	2.22	1.57	12.9	2.38	1.59	16.3	2.88	1.66	19.7	3.34	1.73	22.1	3.64	1.78	23.1	3.77	1.80	26.5	4.16	1.86
	80	8.9	1.74	1.50	11.1	2.10	1.55	12.1	2.24	1.58	15.2	2.69	1.66	18.4	3.10	1.73	20.6	3.37	1.79	21.5	3.48	1.81	24.7	3.82	1.89
850	60	10.1	1.82	1.63	12.8	2.25	1.66	13.9	2.43	1.67	17.6	3.01	1.71	21.3	3.57	1.75	23.9	3.94	1.78	25.1	4.09	1.80	28.8	4.59	1.84
	70	9.7	1.78	1.60	12.1	2.16	1.64	13.1	2.32	1.66	16.6	2.83	1.72	20.1	3.30	1.79	22.5	3.61	1.83	23.5	3.73	1.85	27.0	4.14	1.91
	80	9.1	1.70	1.56	11.4	2.05	1.62	12.3	2.20	1.64	15.6	2.65	1.72	18.8	3.06	1.80	21.1	3.33	1.86	22.1	3.44	1.88	25.3	3.79	1.96
1000	60	10.4	1.80	1.69	13.0	2.22	1.72	14.1	2.40	1.73	17.9	2.98	1.76	21.7	3.53	1.80	24.3	3.91	1.83	25.5	4.07	1.84	29.2	4.58	1.87
	70	9.8	1.75	1.65	12.3	2.13	1.69	13.4	2.29	1.71	16.9	2.80	1.77	20.5	3.27	1.84	23.0	3.58	1.88	24.0	3.71	1.90	27.6	4.13	1.96
	80	9.3	1.67	1.63	11.6	2.02	1.68	12.6	2.16	1.70	15.8	2.61	1.78	19.1	3.01	1.86	21.4	3.28	1.92	22.4	3.39	1.94	25.7	3.74	2.02

**Q4SE X36**

Indoor T. Deg.F		OUTDOOR TEMPERATURE (Deg. F)																							
		10			17			20			30			40			47			50			60		
		CFM	MBH	COP	kW	MBH	COP	kW	MBH	COP	kW	MBH	COP	kW	MBH	COP	kW	MBH	COP	kW	MBH	COP	kW	MBH	COP
1200	60	15.0	1.96	2.24	18.6	2.38	2.29	20.1	2.55	2.31	25.2	3.09	2.39	30.3	3.60	2.47	33.9	3.94	2.52	35.4	4.08	2.55	40.5	4.53	2.62
	70	14.3	1.83	2.29	17.8	2.21	2.36	19.2	2.36	2.39	24.1	2.85	2.48	29.0	3.31	2.57	32.4	3.61	2.64	33.9	3.73	2.66	38.8	4.13	2.76
	80	13.8	1.70	2.37	17.0	2.04	2.44	18.4	2.18	2.47	23.1	2.63	2.57	27.8	3.04	2.68	31.0	3.31	2.75	32.4	3.43	2.78	37.1	3.78	2.88
1350	60	15.1	1.94	2.29	18.7	2.35	2.34	20.3	2.52	2.36	25.5	3.08	2.43	30.7	3.60	2.50	34.4	3.94	2.55	35.9	4.09	2.58	41.1	4.55	2.65
	70	14.5	1.81	2.35	18.0	2.19	2.41	19.5	2.35	2.44	24.5	2.84	2.52	29.4	3.31	2.61	32.9	3.61	2.67	34.4	3.74	2.70	39.4	4.15	2.78
	80	13.9	1.68	2.43	17.3	2.03	2.49	18.7	2.17	2.52	23.4	2.62	2.62	28.2	3.04	2.72	31.5	3.32	2.78	32.9	3.44	2.81	37.7	3.80	2.91
1500	60	15.2	1.91	2.34	18.9	2.33	2.38	20.5	2.50	2.40	25.8	3.06	2.47	31.1	3.59	2.54	34.8	3.94	2.59	36.3	4.08	2.61	41.6	4.56	2.68
	70	14.7	1.80	2.40	18.2	2.18	2.45	19.7	2.34	2.48	24.8	2.84	2.56	29.8	3.31	2.66	33.4	3.62	2.70	34.9	3.75	2.73	39.9	4.16	2.81
	80	14.1	1.67	2.48	17.5	2.02	2.54	18.9	2.16	2.57	23.7	2.61	2.66	28.5	3.04	2.75	31.9	3.32	2.82	33.3	3.43	2.85	38.1	3.80	2.94

**EXPANDED HEATING PERFORMANCE - 14 SEER H.P. (Cont.)**

**Q4SE X48**

Indoor T: CFM Deg.F		OUTDOOR TEMPERATURE (Deg. F)																																																																																																																																																																																																																																	
		10				17				20				30				40				47				50				60																																																																																																																																																																																																					
		MBH	COP	kW	MBH	COP	kW	MBH	COP	kW	MBH	COP	kW	MBH	COP	kW	MBH	COP	kW	MBH	COP	kW	MBH	COP	kW	MBH	COP	kW	MBH	COP	kW																																																																																																																																																																																																				
1500	60	16.5	1.91	2.54	21.6	2.40	2.64	23.8	2.60	2.68	31.0	3.22	2.83	38.2	3.78	2.97	43.3	4.14	3.07	45.5	4.29	3.11	52.7	4.75	3.25	60	15.8	1.75	2.65	20.7	2.21	2.76	22.9	2.39	2.81	29.9	2.96	2.96	36.9	3.47	3.12	41.8	3.80	3.23	43.9	3.93	3.28	51.0	4.35	3.44	80	15.3	1.61	2.78	20.0	2.03	2.89	22.1	2.20	2.95	28.9	2.72	3.12	35.7	3.19	3.29	40.5	3.48	3.40	42.5	3.61	3.46	49.3	3.99	3.63	60	16.7	1.89	2.59	21.8	2.38	2.68	24.0	2.58	2.72	31.3	3.21	2.86	38.6	3.79	2.99	43.8	4.16	3.09	46.0	4.31	3.13	53.3	4.79	3.26	1650	70	16.0	1.74	2.70	21.0	2.20	2.80	23.1	2.38	2.85	30.2	2.96	3.00	37.3	3.48	3.15	42.3	3.82	3.25	44.4	3.95	3.30	51.5	4.39	3.45	80	15.4	1.60	2.82	20.3	2.02	2.94	22.3	2.19	2.99	29.2	2.72	3.15	36.1	3.20	3.31	40.9	3.51	3.42	43.0	3.63	3.47	49.9	4.03	3.63	60	16.8	1.87	2.63	22.0	2.37	2.72	24.2	2.57	2.76	31.6	3.20	2.89	39.0	3.78	3.02	44.2	4.16	3.12	46.4	4.31	3.16	53.8	4.80	3.29	1800	70	16.2	1.74	2.74	21.3	2.19	2.84	23.4	2.38	2.88	30.6	2.96	3.03	37.7	3.49	3.17	42.8	3.83	3.27	44.9	3.97	3.32	52.1	4.41	3.46	80	15.6	1.60	2.87	20.5	2.02	2.98	22.6	2.19	3.02	29.5	2.72	3.18	36.5	3.21	3.33	41.3	3.52	3.44	43.4	3.65	3.49	50.4	4.05	3.65

**Q4SE X60**

Indoor T: CFM Deg.F		OUTDOOR TEMPERATURE (Deg. F)																																																																																																																																																																																																																																	
		10				17				20				30				40				47				50				60																																																																																																																																																																																																					
		MBH	COP	kW	MBH	COP	kW	MBH	COP	kW	MBH	COP	kW	MBH	COP	kW	MBH	COP	kW	MBH	COP	kW	MBH	COP	kW	MBH	COP	kW	MBH	COP	kW																																																																																																																																																																																																				
1600	60	27.3	2.85	2.81	32.8	3.10	3.10	35.1	3.20	3.22	42.9	3.47	3.63	50.7	3.69	4.04	56.2	3.81	4.32	58.5	3.86	4.44	66.3	4.01	4.85	70	26.4	2.61	2.97	31.8	2.84	3.28	34.1	2.93	3.41	41.7	3.18	3.85	49.4	3.37	4.29	54.8	3.49	4.60	57.0	3.53	4.73	64.7	3.67	5.17	80	25.9	2.42	3.15	31.1	2.62	3.48	33.4	2.70	3.63	40.8	2.91	4.11	48.2	3.08	4.59	53.4	3.18	4.92	55.7	3.22	5.07	63.1	3.34	5.55	1800	60	27.6	2.82	2.87	33.1	3.10	3.14	35.5	3.20	3.26	43.4	3.49	3.65	51.4	3.73	4.04	56.9	3.87	4.31	59.3	3.93	4.43	67.2	4.09	4.82	70	26.8	2.60	3.03	32.2	2.84	3.32	34.5	2.94	3.45	42.3	3.21	3.87	50.0	3.42	4.29	55.4	3.55	4.58	57.7	3.60	4.71	65.5	3.74	5.13	80	26.2	2.39	3.21	31.5	2.61	3.53	33.7	2.70	3.66	41.3	2.94	4.12	48.8	3.13	4.57	54.1	3.24	4.89	56.4	3.29	5.03	63.9	3.42	5.48	2000	60	27.7	2.78	2.91	33.3	3.07	3.18	35.7	3.18	3.30	43.8	3.49	3.68	51.8	3.75	4.06	57.5	3.90	4.32	59.9	3.96	4.44	68.0	4.14	4.82	70	27.1	2.58	3.08	32.6	2.84	3.37	34.9	2.94	3.49	42.7	3.22	3.89	50.5	3.45	4.30	56.0	3.59	4.58	58.3	3.64	4.70	66.1	3.80	5.11	80	26.5	2.38	3.27	31.8	2.61	3.57	34.1	2.70	3.70	41.7	2.96	4.14	49.3	3.16	4.57	54.6	3.29	4.88	56.9	3.33	5.01	64.5	3.48	5.44

## Q4SE ACCESSORIES

Description	Part Number
Roof Curb (8")	547830
Roof Curb (14")	547831
Roof Curb (18")	547850
Roof Curb (24")	547851
Supply/return transition, 16"	547834
Supply/return transition, 18"	547835
Concentric diffuser, flush, 16"	547836
Concentric diffuser, flush, 18"	547837
Concentric diffuser, step down 16"	547838
Concentric diffuser, step down 18"	547839
HOOD TYPE HAIL GUARD 34" X 76" Q4SEX24, X36	547846
HOOD TYPE HAIL GUARD 38" X 76" Q4SEX48, X60	547847
DUCT SMOKE DETECTOR PHOTO ELEC	547892
MULTI SIGNAL CONTROL	547893
SAMPLING TUBE ST3	547894
SAMPLING TUBE ST5	547895
Filter Rack, All Downflow Applications (not required with economizer)	547885
Horizontal Filter Kit (not required with economizer) Q4SEX24, X36	547888
Horizontal Filter Kit (not required with economizer) Q4SEX48, X60	547889
Low Ambient Kit	918837
Outdoor Thermostat Kit	913852
Economizer, downflow w/filter (does not require filter kit) modulating	558870
Economizer, horizontal modulating	547841
Power Exhaust, horizontal economizer (special order) 208/230	547843
Power Exhaust, downflow economizer (special order) 208/230	547842
Skirt Trim Kit	919729
Extreme High Wind Kit - Roof Curb Mount	903696
Extreme High Wind Kit - Ground Mount	903695
Duct Adopter, 14" Round (2 each)	913812A
Control, CO2 Sensor, Wall Mount	920317
Control, CO2 Sensor, Duct Mount	920318
Freezestat Kit	917108
Heater Kit - 4 - Pole single Circuit Adapter	913350
Heater Kit - 6 Pole Single Circuit Adaptor	913556
Heater Kit - Circuit Breaker Single Phase (2-Pole)	913554



We Encourage Professionalism



Through Technician Certification by NATE



420C-1008 (Replaces 420C-0507)

O'Fallon, MO

**NORDYNE**

Before purchasing this appliance, read important energy cost and efficiency information available from your retailer. Specifications and illustrations subject to change without notice and without incurring obligations. Printed in U.S.A. (10/08)