

Installation Instructions

C3 Coil Drip Guard Kit

Disconnect all power to the furnace before servicing coil.

1. On electric furnaces it will be necessary to remove the blower assembly to gain access to the inside of the coil. In gas furnaces, the coil will have to be removed from the furnace cavity. Recover the refrigerant from the system according to guidelines outlined under the Refrigerant Transition and Recovery Certification Program.
2. Locate two of the bent drip guards (see Figure 1).
2. Insert the part between the drain pan's inside lip and the coil surface. The longer edge (1-1/4") should be installed inside the pan. It will be easier to start the guard by tipping on end toward a corner.
3. Repeat the process for the other side.
4. Locate two flat drip guards. (Not required on 024 and 030 2 row models)
5. Install one guard between the fins and the drain pan on the outside edges of the coil (see Figure 2). It may be necessary to wipe the fins over in order to get the required clearance to slip the guard in place. The guard itself may be used by pulling it along the coil between the fin stock and the drain pan.
6. If the coil was removed from service, reinstall it and charge according to the installation instructions included with the coil and the outdoor unit.

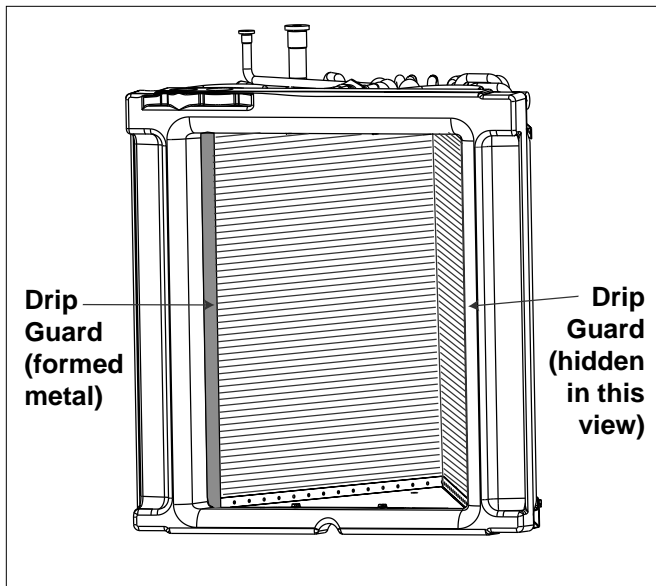


Figure 1

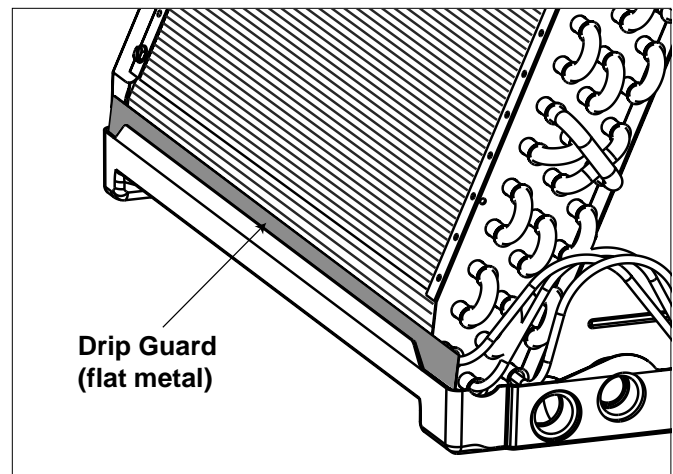


Figure 2

7074990