

Downflow Electric Furnace Coil Cabinet

Installation Instructions

For Use with E2 Series Electric Furnaces

These instructions are primarily intended to assist qualified individuals experienced in the proper installation of heating and/or air conditioning appliances. Some local codes require licensed installation/service personnel for this type of equipment. Read all instructions carefully before starting the installation.

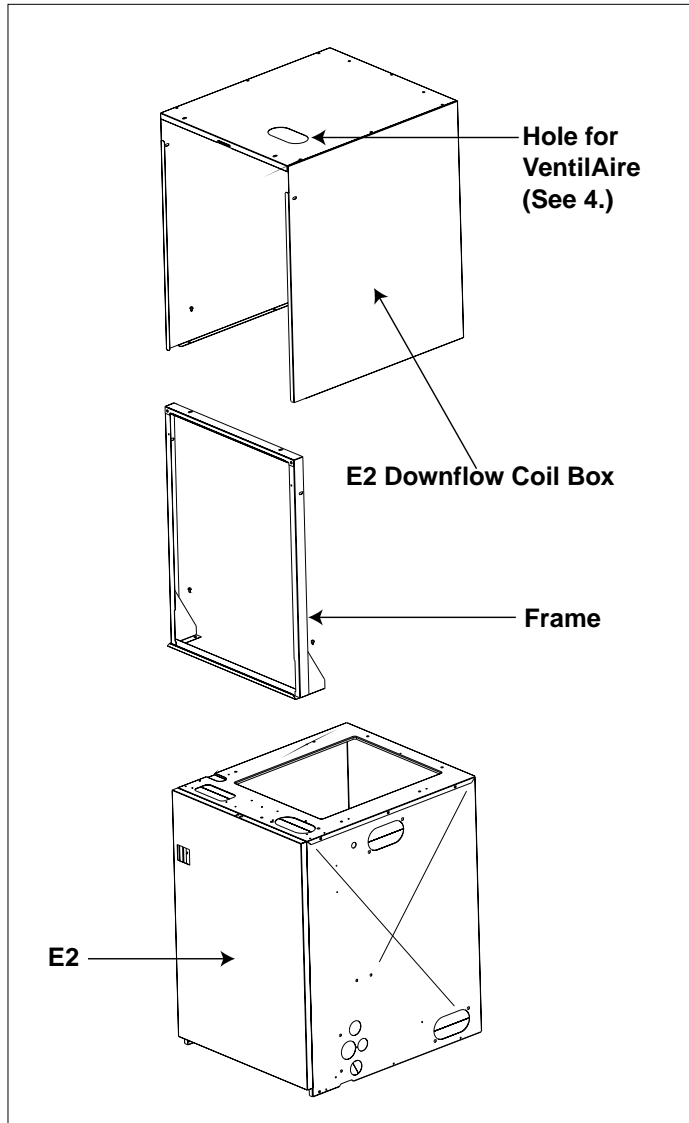


Figure 1. Coil Cabinet

INTRODUCTION

This coil cabinet is designed for non-ducted return air downflow installations.

Review the furnace and coil installation instructions for specific details on return air, filtering systems, and installation requirements before proceeding.

TYPICAL INSTALLATION OF DOWNFLOW SYSTEMS WITH GRILLE AND FRAME

For 2-4 ton systems use the following instructions:

1. After securing the furnace as stated in its installation instructions, position coil cabinet as shown in Figure 1. If the return air grille and frame are already mounted on the furnace, remove them before installing the coil box.
2. Remove the filter and filter retainer from the E2 furnace. Place the filter wire into the top of the downflow box. Place the filter on top of the wire and clip the wire underneath the front edge of the filter box. This will filter the air from the VentilAire and/or the top opening for 5 ton applications. Remove the VentilAire duct connector, if installed, and cover the hole with metal tape or sheet metal.
3. Install the VentilAire duct to the top of the coil box in the oblong hole provided.
4. Place the coil box on top of the furnace or: If the VentilAire duct is blocked due to an alcove installation, then remove the top of the coil box. Slide the coil box top into the open mouth of the wrapper underneath the wrapper's top flanges. Install three screws in the back (screws will thread up from the inside of the wrapper). Now slide the coil box onto the furnace. The front of the top will bend allowing room for the VentilAire duct to clear the top of the alcove. Install the four remaining screws (again threading up from inside the wrapper).
5. Place the frame (see Figure 1) on top of the furnace but over the outside of the E2 coil box. Install two screws on each side to hold the frame and coil box onto the furnace. On each side one screw will go through both the frame and the coil box and one screw will go through just the frame. Additional screws may be used to secure the coil box to the furnace but are not required.
6. Install the washable filter into the return air grille as shown in Figure 2.

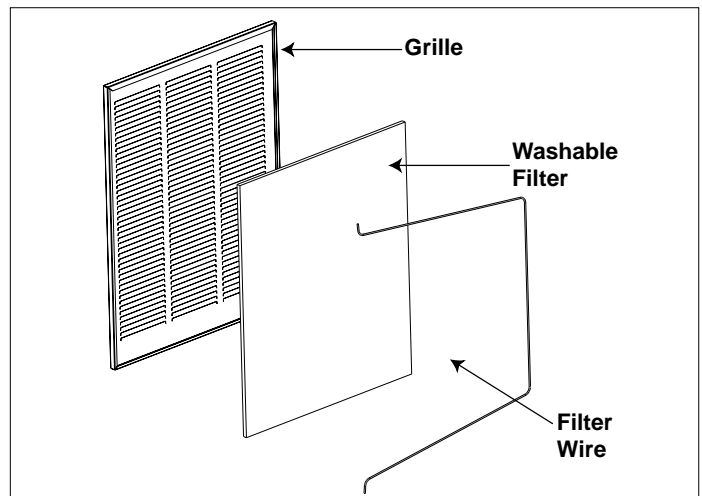


Figure 2.

7. Install the indoor coil per the installation instructions with the coil.
8. Attach the return air grille to the mounting frame. The installation is now complete and the furnace may be run.

For 5 ton systems an additional area for return air must be cut out of the E2 downflow coil box. For alcove installations an additional grille leading into the alcove must also be installed per the installations instructions of the E2 furnace.

⚠ CAUTION:

These instructions must be followed to prevent coil freeze up and/or water leakage on 5 ton systems.

1. Cut out an area on the top of the downflow coil box as shown in Figure 3.
2. Go to step 1 of the 2-4 ton installation instructions and follow all the steps.

TYPICAL INSTALLATION OF DOWNFLOW SYSTEMS WITH TALL E2 DOOR

The downflow coil box may be used with the tall E2 door instead of the grille and frame. Follow all the above directions except:

- A. Attach the downflow coil box without the frame to the top of the E2 furnace.
- B. Place the washable filter and it's filter wire into the grille area of the tall E2 door.
- C. Discard the mounting clip that comes with the tall E2 door. The front top of the E2 coil box will now serve as the clip.

- D. Place the door bottom into the E2 furnace, push the latches at the top of the furnace into the sockets in the middle of the tall E2 door and turn the pawl latch at the top of the door into the clip area at the top of the downflow coil box.

FILTERS

There are two filters in the E2 downflow coil box. The first in the grille (or the door) is a washable filter and should be checked and cleaned with water and a mild detergent once a month. The second filter is in the top of the coil box and should be checked and/or replaced once per month or as often as necessary.

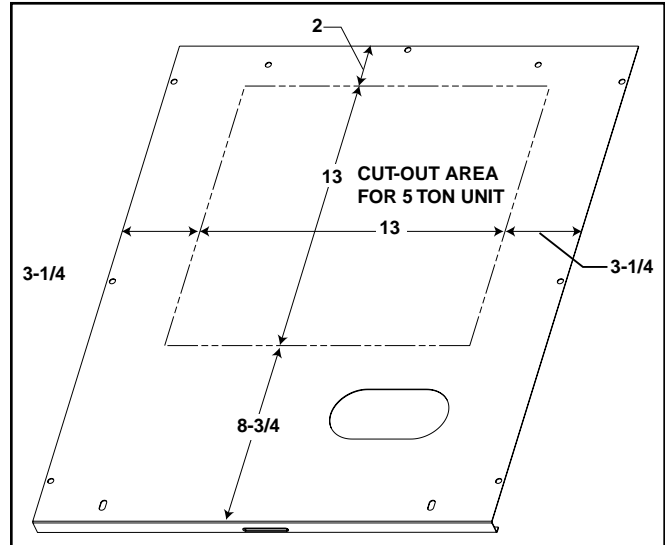


Figure 3

