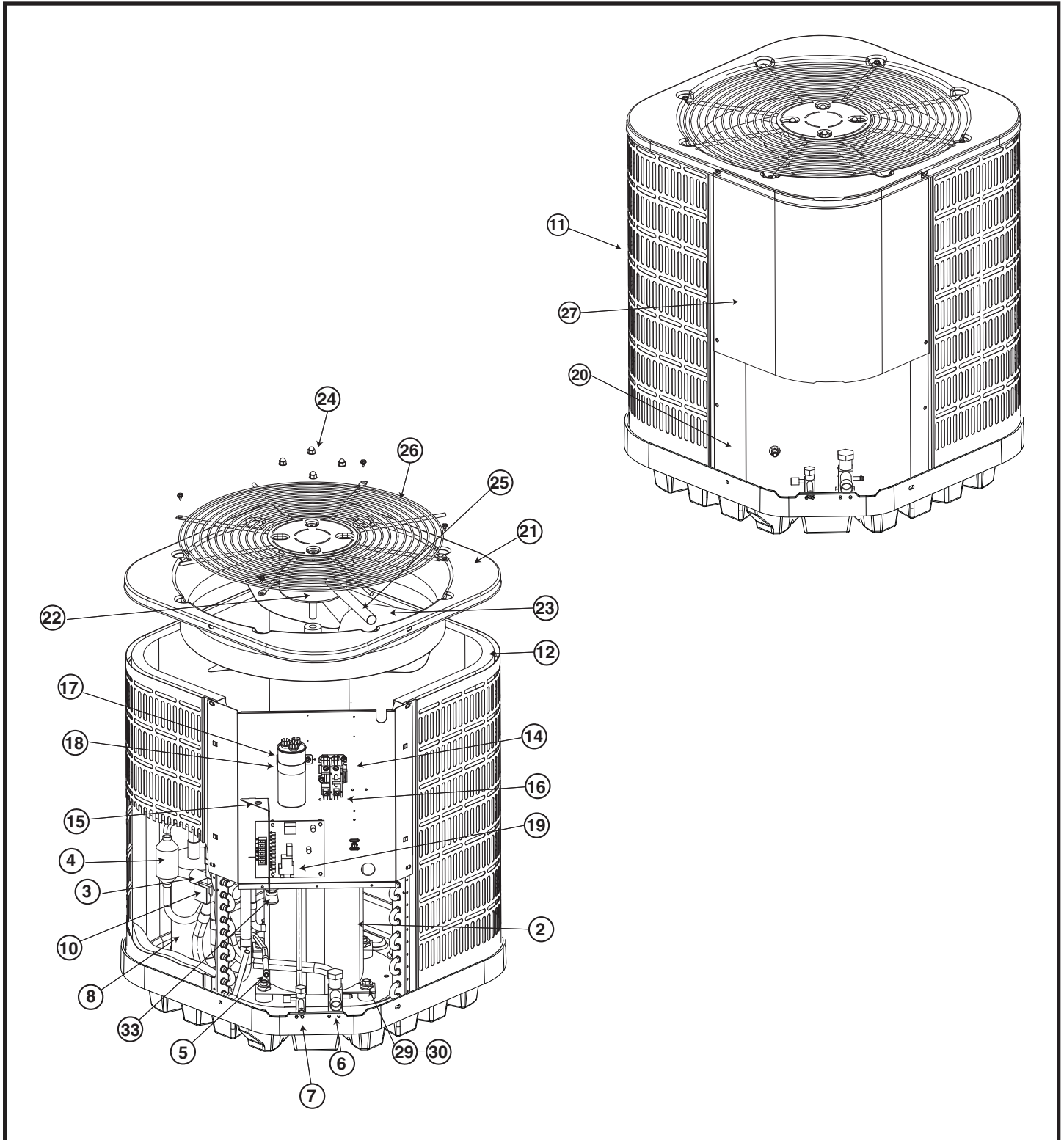


# REPLACEMENT PARTS LIST

## Residential Split System Heat Pump DT4BD Series 13 SEER Models



## DT4BD SERIES RESIDENTIAL SPLIT SYSTEM HEAT PUMP

ITEM	DESCRIPTION	018K	024K	030K	036K	042K	048K	060K
2	Compressor	921421	921422	921425	921427	918871	918872	918873
3	Reversing Valve	669455	669455	669455	669456	669456	669456	669456
4	Muffler	669571	669571	669571	669571	669571	669571	669571
5	Service Valve	663621	663621	663621	663621	663621	663621	663621
6	Refrigerant Valve (Large)	663992	663992	663992	663992	663963	663963	663963
7	Refrigerant Valve (Small)	663952	663952	663952	663952	663952	663952	663952
8	Accumulator	668853	668853	668853	668794	668854	668854	668854
9	Distributor Assembly (not shown)	663578	663579	663579	663581	663582	663584	663584
10	Reversing Valve Coil Assembly	669459	669459	669459	669459	669459	669459	669459
11	Coil Guard (Formed)	275693R	275694R	275695R	275696R	275695R	275696R	275696R
12	Outdoor Coil (Formed)	499539R	499532R	499533R	499534R	499535R	917364	917364
13	Defrost Sensor (not shown)	626491	626491	626491	626491	626491	626491	626491
14	Control Box	277361	277361	277361	277361	277361	277361	277361
15	Low Voltage Divider	258791	258791	258791	258791	258791	258791	258791
16	Contactors	621661	621661	621661	621661	621662	621662	621662
17	Capacitor	620777	620762	620763	621635	621153	621644	621717
18	Capacitor strap	258781	258781	258781	258780	258780	258780	258780
19	Defrost Control Board	917178	917178	917178	917178	917178	917178	917178
20	Access Panel	274013	274014	274015	274016	274015	274016	274016
21	Top Pan	496162	496162	496162	496162	496162	496162	496162
22	Fan Motor	622080	622080	622080	622080	621990	621990	621990
23	Fan Blade	667316	667316	667316	667316	667316	667316	667316
24	Nut, Double thick	606260	606260	606260	606260	606260	606260	606260
25	Motor wire conduit	664162	664162	664162	664162	664162	664162	664162
26	Fan Grille	669202	669202	669202	669202	669202	669202	669202
27	Control Box Cover	276921	276921	276921	276921	276921	276921	276921
29	Grommet, Compressor (not shown)	668530	668530	668530	668530	668530	668530	668530
30	Bolt, Compressor (metal)	600400	600400	600400	600400	600400	600400	600400
	Bolt, Compressor (composite)	600426	600426	600426	600426	600426	600426	600426
31	High Press Switch (not shown)	632401	632401	632401	632401	632401	632401	632401
32	Filter Drier, Biflow (not shown)	669373	669373	669373	669373	669373	669373	669373
33	Connector, Swivel	663394	663394	663394	663394	663394	663394	663394
34	Restrictor, Outdoor Coil (not shown)	664042	664045	664048	664050	644055	664058	664062
35	Charge compensator (not shown)	—	—	—	—	669422	669422	669422
36	Compressor crankcase heater (not shown)	632410	632410	632410	632410	632410	632410	632410
37	Compressor molded plug (not shown)	634658	634658	634659	634659	634659	634660	634660
38	Relay, Blower Delay (not shown)	624636	624636	624636	624636	624636	624636	624636
39	Restrictor, Indoor (not shown)	664050	664055	664065	664073	664077	664080	664089

Please specify Model No., Serial No., and the correct part number(s) when ordering parts from the nearest authorized dealer or service center.



Specifications & illustrations subject to change without notice or incurring obligations.  
O' Fallon, MO | Printed in U.S.A. (10/10)



**708409B** (Replaces 708409A)