

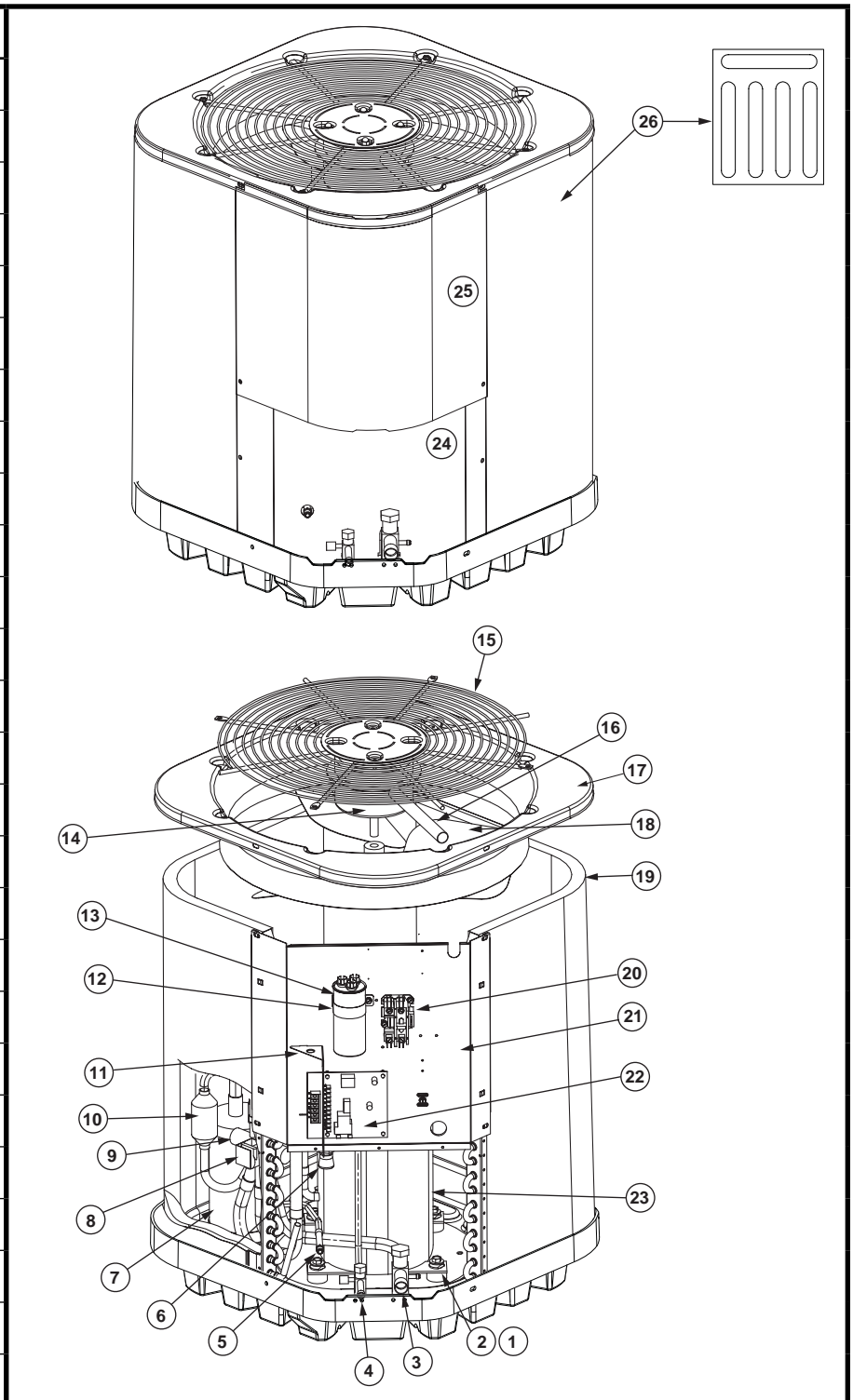
REPLACEMENT PARTS LIST

Residential Split System Heat Pump

DT4BD Series

13 SEER Models

ITEM #	COMPONENT
1	Compressor Bolt
2	Compressor Grommet
3	Refrigerant Valve (LG)
4	Refrigerant Valve (SM)
5	Shrader Valve
6	Swivel Connector
7	Accumulator
8	Reversing Valve Coil
9	Reversing Valve
10	Muffler
11	Low Voltage Divider
12	Capactor Strap
13	Capacitor
14	Outdoor Fan Motor
15	Outdoor Fan Grille
16	Motor Wire Conduit
17	Top Pan </td
18	Outdoor Fan Blade
19	Outdoor Coil
20	Contacter
21	Control Box
22	Defrost Board
23	Compressor
24	Access Panel
25	Control Box Cover
26	Outdoor Coil Guard



DT4BD SERIES RESIDENTIAL SPLIT SYSTEM HEAT PUMP

COMPONENT	DT4BD-018K	DT4BD-024K	DT4BD-030K	DT4BD-036K	DT4BD-042K	DT4BD-048K	DT4BD-060K
	918541D	918542D	918543D	918544D	918545D	918546D	918547D
Access Panel	274013R	274014R	274015R	274016R	274015R	274016R	274016R
Accumulator	668853	668853	668853	668794	668854	668854	668854
Capacitor	01-0082	01-0083	01-0084	01-0085	01-0271	01-0278	01-0279
Compensator Tank	—	—	—	—	669422	669422	669422
Compressor	921421	921422	921425	921427	921463	921466	921468
Compressor Bolt	600426	600426	600426	600426	600426	600426	600426
Compressor Grommet	668530	668530	668530	668530	668530	668530	668530
Compressor Molded Plug	634660R	634660R	634660R	634660R	634660R	634660R	634660R
Contactora	624712	624712	624712	624712	624712	624713	624714
Control Box	2B7881	2B7881	2B7881	2B7881	2B7881	2B7881	2B7881
Control Box Cover	276921	276921	276921	276921	276921	276921	276921
Crankcase Heater	632410	632410	632410	632410	632410	632410	632410
Defrost Board	917178A	917178A	917178A	917178A	917178A	917178A	917178A
Defrost Sensor	626491R	626491R	626491R	626491R	626491R	626491R	626491R
Distributor	664717R	664717R	664717R	664718R	664719R	664719R	664719R
Filter Drier	669762	669762	669762	669762	669761	669761	669761
High Pressure Switch	632473R	632473R	632473R	632473R	632473R	632473R	632473R
Low Voltage Divider	258791	258791	258791	258791	258791	258791	258791
Motor Wire Conduit	664290	664290	664290	664290	664290	664290	664290
Muffler	669546R	669546R	669546R	669546R	669546R	669546R	669546R
Outdoor Coil, 1 pc. Distributor** (For units produced on or after June 1 2012)	2C3321RD	2C3291RD	2C3301RD	2C3331RD	2C3311RD	2C3341RD	2C3341RD
Outdoor coil, 2 pc. Distributor (For units produced before May 31 2012)	499539RD	499532RD	499533RD	2B6001RD	499535RD	2B6041RD	2B6041RD
Outdoor Coil Guard	275693	275694	275695R	275696R	275695R	275696R	275696R
Outdoor Fan Blade	667383	667383	667383	667383	667383	667383	667383
Outdoor Fan Grille	669202R	669202R	669202R	669202R	669202R	669202R	669202R
Outdoor Fan Motor	622080	622080	622080	622080	622066	622066	622066
Outdoor Thermostat	626520R	626520R	626520R	626520R	626520R	626520R	626520R
Refrigerant Valve (LG)	663864R	663864R	663864R	663865R	663865R	663865R	663865R
Refrigerant Valve (SM)	664509R	664509R	664509R	664509R	664509R	664509R	664509R
Reversing Valve	669465R	669465R	669465R	M0079102	M0079102	M0079102	M0079102
Reversing Valve Coil	669470R	669470R	669470R	669937R	669937R	669937R	669937R
Schrader Fitting	664423	664423	664423	664423	664423	664423	664423

Please specify the correct Model No., Serial No., and part number(s) when ordering parts from the nearest authorized dealer or service center.

To replace a restrictor for the outdoor or indoor unit, refer to the Quick Reference Data document that came with the unit to determine the size of the restrictor. The part number scheme for restrictors is "664" and three decimal places of the size of the restrictor. For example, a 0.042" restrictor part number would be 664042.

**Units built after 6/1/2012 have a different distributor and liquid valve and the outdoor restrictor is inside of the liquid service valve.



Specifications & illustrations subject to change without notice or incurring obligations.
O' Fallon, MO | Printed in U.S.A. (04/13)



708409E (Replaces 708409D)