

Split System Wrapper

INSTALLATION INSTRUCTIONS

Cased Coil Wrappers

CAUTION:

Read the Installation Instructions supplied with the furnace and this kit carefully before beginning the installation. Observe all safety requirements outlined in instructions and/or furnace markings.

WARNING:

In upflow installations only **for Coil Box 919332 or 919333**

The indoor coil's drainpan must be

- a.) Beige in color or,
- b.) You must fully cover the bottom side of the black drainpan (P/N 669339) with metal tape or,
- c.) You must replace the grey drainpan with the beige drainpan. Check part number label on front of drainpan.

Remove Grey Drainpan	Replace with Beige Drainpan
669409	669410
669356	668717

Any other type of plastic drainpan may fail causing injury or property damage.

1. GENERAL INFORMATION

Cased coil wrappers are designed for upflow/downflow applications.

Read the installation manuals supplied with the indoor and outdoor unit for refrigerant line connection procedure, required line sizes, and other information pertaining to the system installation. Make certain that the air delivery of the furnace is adequate to handle the static pressure drop of the coil, filter, and duct work.

NOTE: Optional cooling/heating equipment must be properly sized and installed in accordance with the furnace manufacturer's specifications and approved recommendations. "Heating only" furnace air circulators may have to be replaced with multi-speed "Heating/Cooling" blowers to upgrade the air delivery (CFM) when an add-on coil is installed. Refer to Coil Specifications for recommended CFM and allow for pressure drop across the coil and filters.

These instructions are primarily intended to assist qualified individuals experienced in the proper installation of this appliance. Some local and national codes require licensed installation/service personnel for this type of equipment.

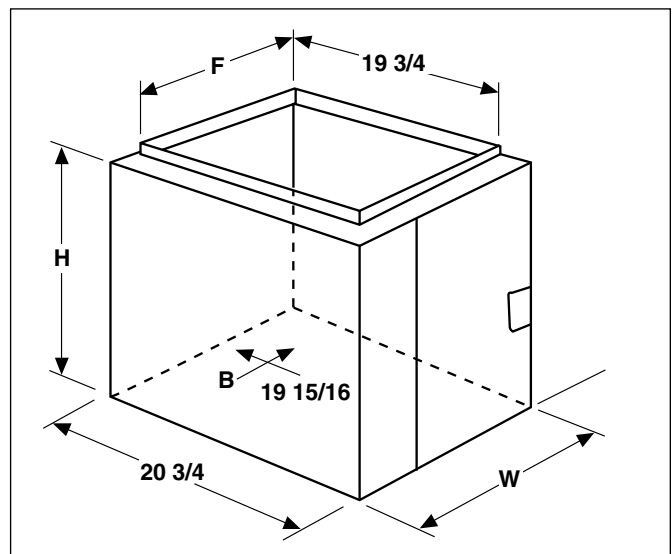
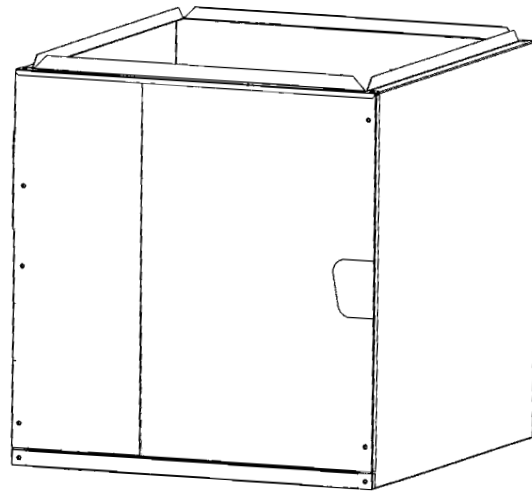


Figure 1. Cased Coil Wrapper

2. COIL SPECIFICATIONS (See Figure 1)

Series Cased Coil Wrapper Dimensions

Cabinet Identifier	Overall		Bottom Opening	Top Opening
	W	H	B	F
A	14 1/4	20,26	8.5	12 7/8
B	19 3/4	20,26	14	18 3/8
C	22 1/2	26,29	16.75	21 1/8

3. CASED COIL WRAPPER INSTALLATION

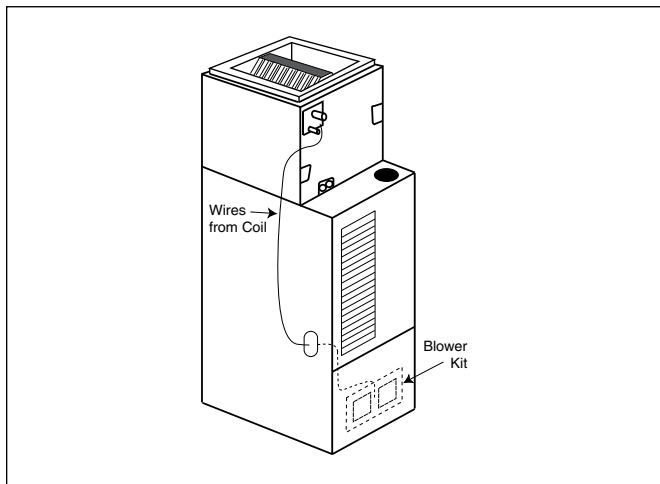


Figure 2. Upflow Installation

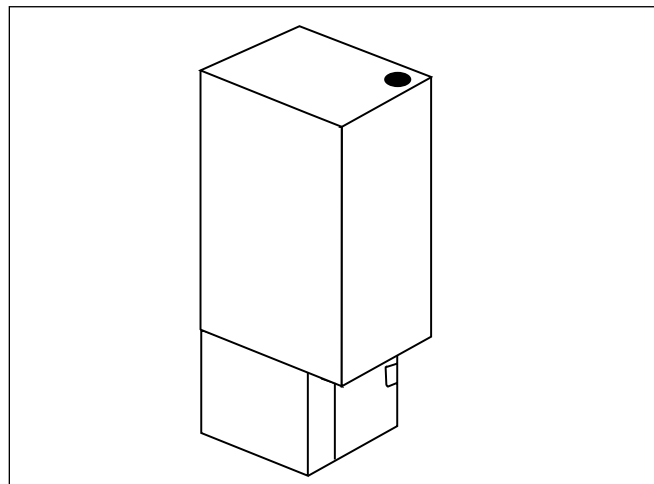


Figure 3. Downflow Installation

A. Upflow Furnaces (See Figure 2)

1. Ensure the electrical power to the furnace is disconnected.
2. Place the cased coil wrapper on the top of the furnace and secure with sheet metal screws. Make sure there is space to run refrigerant and water drainage lines.
3. Attach the duct to the cased coil wrapper.
4. Seal connections as required to minimize air leaks.
5. Power the furnace and ensure the blower runs properly.

B. Downflow Furnaces (See Figure 3)

1. Disconnect the electrical power to the furnace.
2. Place the cased coil wrapper on a prepared plenum or duct. Make sure there is space to run refrigerant and water drainage lines. When a NORDYNE series plenum (p/n 901987 through 901993) is used with the "B" size cased coil wrapper, the bottom cabinet-tie must be replaced with the close-off bottom cabinet-tie provided with the cased coil wrapper. The bottom cabinet-tie secures the bottom of the cabinet together and is held in position by two fasteners. To install the close-off bottom cabinet-tie, remove the fasteners that secure the bottom cabinet-tie to the wrapper. Remove the cabinet-tie and replace it with the close-off bottom cabinet-tie.

Reinstall the fasteners. Secure the case coil to the flooring using appropriate fasteners (field-supplied) for your installation.

3. Place the furnace on top of the case coil wrapper and attach with sheet metal screws.
4. Attach duct to top of furnace.
5. Seal connections as required to minimize air leaks.
6. Power the furnace and ensure the blower runs properly.

4. INDOOR COIL INSTALLATION

1. Disconnect the electrical power to the furnace.
2. Remove and discard the plate on the cased coil wrapper door. Remove case coil door and close-off plate.
3. Ensure the indoor coil is the proper size for the cased coil wrapper and the outdoor unit.
4. Place the indoor coil inside the cased coil wrapper.
5. Place the coil close-off plate over the refrigerant tubes on the indoor coil.
6. Follow the instructions with the indoor coil to attach water and refrigerant lines.
7. Replace the cased coil wrapper door.

