

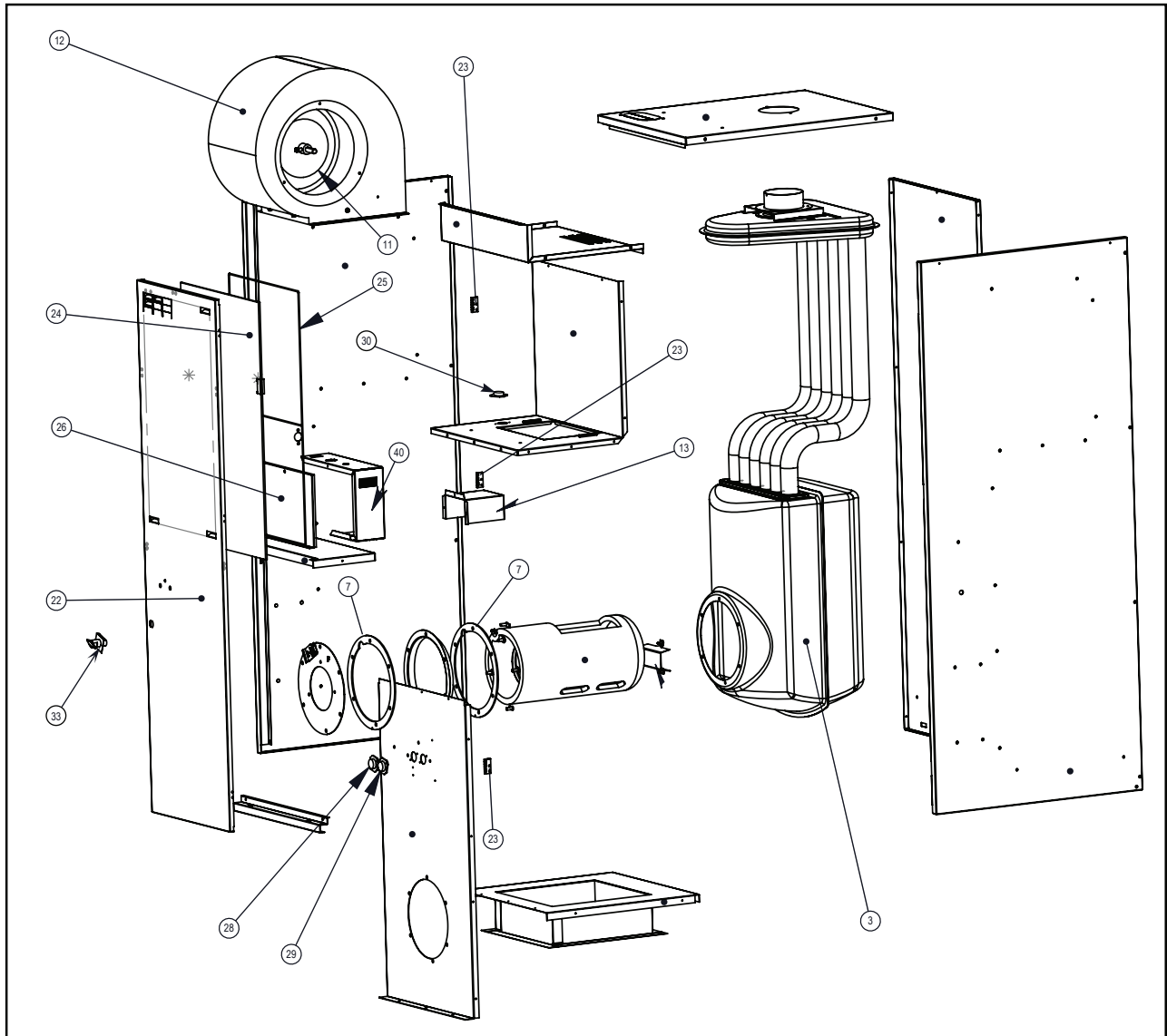
REPLACEMENT PARTS LIST
CMF2 Series Downflow Furnace



CMF2 SERIES DOWNFLOW FURNACE - CMF80 CONVERTIBLE AND CMF 100

ITEM NO.	PART NO.	DESCRIPTION
3	904618	Complete HE Assy
4	903423	Combustion Chamber
7	689528	HE Gasket
11	920826	Blower Motor (AO Smith)
12	903866	Complete Blower Assy
13	262980R	Motor Blower Harness

ITEM NO.	PART NO.	DESCRIPTION
22	M0031001R	Complete Door Assy
23	301308000	Hinge Assy
24	669073	Filter
25	669647	Filter Retainer
26	386321	Control Box Cover
27	386720	Control Box
28	626553	Main Limit Switch, 160 F
29	626552	Fan Limit Switch, 115 F
30	626465	Deck Limit Switch, 225 F
31	663734	Burner Flexible Hose (Not Shown)
32	606208	Hose Clamp (Not Shown)
33	1036349R	Latch Assy
34		
35	687258	Brand Label, Intertherm
36	660604	Burner Gasket (Not Shown)
37	632482	Receptacle (Not Shown)
38	632125	Door Switch (Not Shown)
39	632337	ON/OFF Switch (Not Shown)

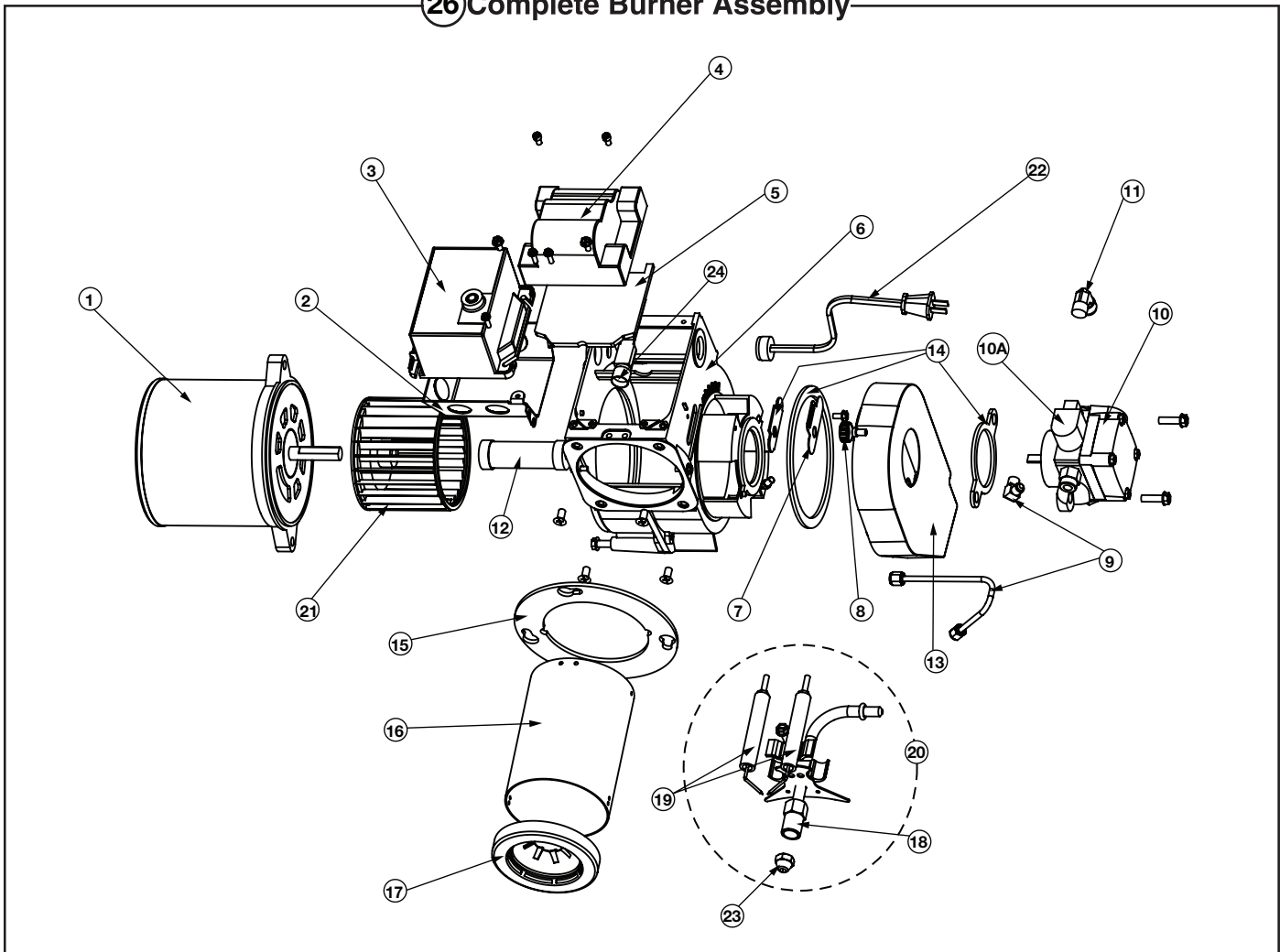


CMF2 SERIES DOWNFLOW FURNACE - ND1001 (AF-10) BECKETT OIL BURNER FOR POWER OIL MODELS

ITEM NO.	PART NO.	DESCRIPTION
1	621945	Motor, PSC, 21805U
2	660591	Mounting Box
3	624647	Primary Control (HW),7456U
4	621943	Transformer, 51771U
5	660914	Gasket Kit (Transformer)
6	660282	Housing
7	660592	Escutcheon Plate
8	660593	Locknut
9	660594	Oil Line Kit
10	622090	Fuel Pump, Clean Cut
10A	624648	Solenoid Valve Stem Kit, 21877U
11	660595	Street Elbow
12	660596	Coupling Kit
13	660928	Inlet Air Box Assembly
14	660915	Gasket Kit (Inlet Box)

ITEM NO.	PART NO.	DESCRIPTION
15	661127	Air Tube/Flange Assembly
16	660468	Burner Head (All Models)(F3 Head)
17	660059	Nozzle Adaptor
18	660917	Electrode Kit
19	660600	Gun Drawer Assembly
20	660048	Burner Blower Wheel
21	634568	Power Cord
22	660606	Nozzle (0.50 GPH)
	660087	Nozzle (0.60 GPH)
	660605	Nozzle (0.65 GPH)
23	660602	Flame Detector (WR)
	660603	Flame Detector (HW)
24	660604	Burner Mounting Gasket (N/S)
25	904607	Complete Oil Burner - 75

26 Complete Burner Assembly

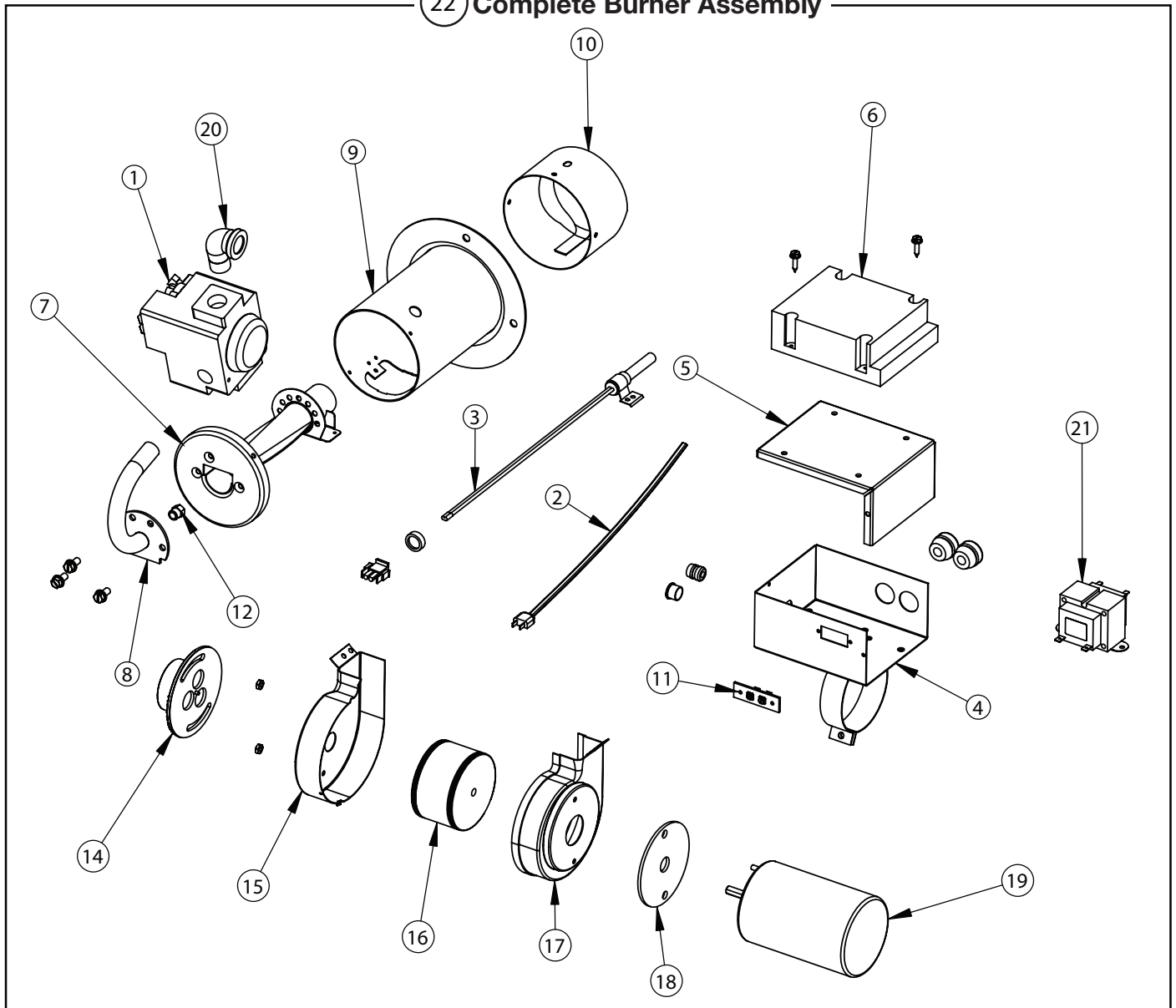


CMF SERIES DOWNFLOW FURNACE - DIRECT IGNITION GAS BURNERS FOR POWER GAS MODELS

ITEM NO.	PART NO.	DESCRIPTION
1	624619	Gas Valve
2	634568	Power Supply Cord
3	902661A	Ignitor
4	248180R	Electric Box Assembly
5	352930R	Electric Box Cover
6	626421	HSI Control
7	M0013601	Venturi
8	258360R	Manifold Assy
9	264880R	Tube Assy
10	248750R	Air Cone Assy
11	632083	Terminal Board
12	661020	80 Burner Orifice, #20 (NAT)
	661040	80 Burner Orifice, #40 (LP)
	661024	65 Burner Orifice, #24 (NAT)

ITEM NO.	PART NO.	DESCRIPTION
12	661043	65 Burner Orifice, #43 (LP)
	661018	90 Burner Orifice, #18 (NAT)
	661037	90 Burner Orifice, #37 (LP)
13	689032R	Adapter Burner Gasket
14	904561	Inlet Air Box Assy-Gas Gun
15	265130	Blower Assy-Left
16	667360	Blower Wheel
17	352880R	Blower Assy-Right
18	689589	Motor Mounting Gasket
19	904478	Motor
20	662095	Street Elbow
21	621096	Transformer
22	903446	Complete Gas Burner

(22) Complete Burner Assembly



ACCESSORIES

CMF Conversion Kits

PART NO.	DESCRIPTION
903099	CMF80PG 80 Kbtu/h to 65 Kbtu/h Conversion Kit
903100	CMF80PO 80 Kbtu/h to 65 Kbtu/h Conversion Kit
903101	CMF80PG 80 Kbtu/h to 100 Kbtu/h Conversion Kit
903102	CMF80PO 80 Kbtu/h to 100 Kbtu/h Conversion Kit

Miscellaneous

PART NO.	DESCRIPTION
104142000	Protective Cap (for two piece roof jack assemblies)
902095	Automatic Shut Off Damper**
901855	New England Safety Kit
903456	Combustion Air Inlet Adapter Kit
903457	Sloped Roof Direct Vent Kit
903496	Combustion Air Pipe Extension Kit (for high snow accumulation areas)

** Required when home is air conditioned by a self-contained unit.

CMF Base Packages

PART NO.	DESCRIPTION
901696	CB-200A Cottage Base
903452	MA-200 Base Package with 3" feeder duct
903453	MA-200 Base Package with 8" feeder duct
903454	MA-200 Base Package with 13" feeder duct
903450	MA-100 Universal Base Package with 8" feeder duct
903451	MA-100 Universal Base Package with 13" feeder duct

Adapters

PART NO.	DESCRIPTION
100447000	RA-S2.5 Roof Jack Assembly
100448000	RA-S3.0 Roof Jack Assembly
101561000	RA-S4.0 Roof Jack Assembly

Roof Jacks

PART NO.	DESCRIPTION
104060000	SRJ1 Roof Jack Assembly
104060003	SRJ2 Roof Jack Assembly
104060015	SRJ3 Roof Jack Assembly
104060018	SRJ4 Roof Jack Assembly
104060024	SRJ5 Roof Jack Assembly

Vent Pipes

PART NO.	DESCRIPTION
103947002	Vent Pipe-28
103947004	Vent Pipe-34
103947005	Vent Pipe-40
901697	Offset Vent Pipe

ORDERING INFORMATION

Please specify Model No. and Serial No. along with the exact part number(s) when ordering parts from the nearest authorized Dealer or Service Center.

