

REPLACEMENT PARTS LIST

MGC2 SERIES

SINGLE STAGE CONDENSING & NON-CONDENSING FURNACES

NON-CONDENSING GAS FURNACES

80% + AFUE



**MGC2SA Upflow / Horizontal
Furnace**



**MGC2SK Downflow
Furnace**

CONDENSING GAS FURNACES

92.1% AFUE



**MGC2SC Upflow / Horizontal
Furnace**



**MGC2SL Downflow
Furnace**

95.0 % AFUE



**MGC2SD Upflow / Horizontal
Furnace**



**MGC2SM Downflow
Furnace**

80% + AFUE

| | |
|--|--------|
| MGC2SA Upflow / Horizontal Replacement Parts List..... | Page 2 |
| MGC2SK Downflow Replacement Parts List | Page 3 |
| MGC2SA-1 Upflow / Horizontal Replacement Parts List..... | Page 4 |
| MGC2SK-1 Downflow Replacement Parts List..... | Page 5 |
| Upflow / Horizontal Component Location | Page 6 |
| Downflow Component Location..... | Page 7 |

92.1% & 95.0% AFUE

| | |
|---|---------|
| MGC2SC Upflow / Horizontal Replacement Parts List | Page 8 |
| MGC2SL Downflow Replacement Parts List..... | Page 9 |
| MGC2SD Upflow / Horizontal Replacement Parts List | Page 10 |
| MGC2SM Downflow Replacement Parts List..... | Page 11 |
| Upflow / Horizontal Component Location | Page 12 |
| Downflow Component Location..... | Page 13 |

*Model description may be prefixed with an alphanumeric character

MGC2SA UPFLOW / HORIZONTAL NON-CONDENSING GAS FURNACE - 80% + AFUE

| ITEM | DESCRIPTION | 045-23A | 054-23A | 072-24B | 090-24B | 072-35C | 090-35C | 108-35C | 126-45D |
|------|--------------------------------|----------|----------|----------|----------|----------|----------|----------|----------|
| 1 | DOOR SET | 904771 | 904771 | 904772 | 904772 | 904773 | 904773 | 904773 | 904774 |
| 2 | TOP PANEL | 295911R | 295911R | 295912R | 295912R | 295913R | 295913R | 295913R | 295914R |
| 3 | COLLECTOR PAN WITH GASKET | 904805 | 904812 | 904806 | 904807 | 904808 | 904809 | 904810 | 904811 |
| 4 | INDUCER MOTOR | 904796 | 904796 | 904796 | 904796 | 904796 | 904796 | 904796 | 904796 |
| 5 | INDUCER GASKET (NOT SHOWN) | 689988 | 689988 | 689988 | 689988 | 689988 | 689988 | 689988 | 689988 |
| 6 | TRANSFORMER | 622341 | 622341 | 622341 | 622341 | 622341 | 622341 | 622341 | 622341 |
| 7 | CONTROL BOARD | 920915 | 920915 | 920915 | 920915 | 920915 | 920915 | 920915 | 920915 |
| 8 | FUSE | 632261 | 632261 | 632261 | 632261 | 632261 | 632261 | 632261 | 632261 |
| 9 | PRESSURE SWITCH | 632499 | 632489 | 632489 | 632489 | 632489 | 632489 | 632488 | 632520 |
| 10 | HEAT EXCHANGER | 904779 | 904779 | 904780 | 904781 | 904782 | 904783 | 904868 | 904785 |
| 11 | MAIN AIR LIMIT | 626614 | 626614 | 626612 | 626613 | 626615 | 626613 | 626612 | 626598 |
| 12 | BURNER ASSEMBLY | 904819 | 904820 | 904822 | 904824 | 904822 | 904824 | 904826 | 904828 |
| 13 | IGNITOR ASSEMBLY - NITRIDE | 921074 | 921074 | 921074 | 921074 | 921074 | 921074 | 921074 | 921074 |
| 14 | IGNITER BRACKET (NOT SHOWN) | 299261 | 299261 | 299261 | 299261 | 299261 | 299261 | 299261 | 299261 |
| 15 | INSHOT BURNER | 661134 | 661134 | 661134 | 661134 | 661134 | 661134 | 661134 | 661134 |
| 16 | MANIFOLD, BURNER TUBE | 664228 | 664228 | 664229 | 664230 | 664229 | 664230 | 664231 | 664232 |
| 17 | ORIFICE, MAIN BURNER, NAT. GAS | 661049 | 661047 | 661047 | 661047 | 661047 | 661047 | 661047 | 661047 |
| 18 | FLAME SENSOR | 632484 | 632484 | 632484 | 632484 | 632484 | 632484 | 632484 | 632484 |
| 19 | GAS VALVE | 624657 | 624657 | 624657 | 624657 | 624657 | 624657 | 624657 | 624657 |
| 20 | ROLL-OUT SWITCH | 626610 | 626610 | 626610 | 626610 | 626610 | 626609 | 626610 | 626610 |
| 21 | DOOR SWITCH | 632125 | 632125 | 632125 | 632125 | 632125 | 632125 | 632125 | 632125 |
| 22 | BLOWER ASSEMBLY | 904681 | 904681 | 904682 | 904682 | 904683 | 904683 | 1003481 | 1003481 |
| 23 | BLOWER HOUSING ASSEMBLY | 297200R | 297200R | 297207R | 297207R | 297204R | 297204R | 297209R | 297209R |
| 24 | CAPACITOR | 622599 | 622599 | 622545 | 622545 | 622549 | 622549 | 622549 | 622549 |
| 25 | MOTOR, BLOWER | 904857 | 904857 | 904858 | 904858 | 904859 | 904859 | 1003005 | 1003005 |
| 26 | WHEEL, BLOWER | 667251 | 667251 | 667258 | 667258 | 667207 | 667207 | 667280 | 667280 |
| 27 | BLOWER LIMIT | 626611 | 626611 | 626611 | 626611 | 626611 | 626611 | 626611 | 626611 |
| 28 | REPL. MOTOR MOUNT KIT | N/A | N/A | 904951 | 904951 | 904980 | 904980 | 904951 | 904951 |
| 29 | HOSE, HIGH TEMP (NOT SHOWN) | 263967 | 263967 | 263967 | 263967 | 263967 | 263967 | 263967 | 263967 |
| 30 | SET OF WIRES (NOT SHOWN) | M0036001 | M0036001 | M0036001 | M0036001 | M0036005 | M0036005 | M0036005 | M0036005 |

Please specify the correct Model No., Serial No, and part number(s) when ordering parts from the nearest authorized dealer or service center.

FOR COMPONENT LOCATIONS, SEE PAGE 6.

MGC2SK DOWNFLOW NON-CONDENSING GAS FURNACE - 80% + AFUE

| ITEM | DESCRIPTION | 054-23A | 072-24B | 090-24B | 108-35C | 126-45D |
|------|------------------------------------|----------|----------|----------|----------|----------|
| 1 | DOOR SET | 904771 | 904772 | 904772 | 904773 | 904774 |
| 2 | TOP PANEL | 295911R | 295912R | 295912R | 295913R | 295914R |
| 3 | COLLECTOR PAN WITH GASKET | 904901 | 904806 | 904921 | 904902 | 904811 |
| 4 | INDUCER MOTOR | 904796 | 904796 | 904796 | 904796 | 904796 |
| 5 | INDUCER GASKET (NOT SHOWN) | 689988 | 689988 | 689988 | 689988 | 689988 |
| 6 | COMBUSTION TUBE | 299291 | 299291 | 299291 | 299291 | 299291 |
| 7 | TRANSFORMER | 622341 | 622341 | 622341 | 622341 | 622341 |
| 8 | CONTROL BOARD | 920915 | 920915 | 920915 | 920915 | 920915 |
| 9 | FUSE | 632261 | 632261 | 632261 | 632261 | 632261 |
| 10 | PRESSURE SWITCH | 632488 | 632489 | 632489 | 632488 | 632488 |
| 11 | HEAT EXCHANGER | 904779 | 904780 | 904781 | 904868 | 904785 |
| 12 | MAIN AIR LIMIT | 626601 | 626601 | 626617 | 626616 | 626617 |
| 13 | BURNER ASSEMBLY | 904820 | 904822 | 904824 | 904826 | 904828 |
| 14 | IGNITOR ASSEMBLY - NITRIDE | 921074 | 921074 | 921074 | 921074 | 921074 |
| 15 | IGNITER BRACKET (NOT SHOWN) | 299261 | 299261 | 299261 | 299261 | 299261 |
| 16 | INSHOT BURNER | 661134 | 661134 | 661134 | 661134 | 661134 |
| 17 | MANIFOLD, BURNER TUBE | 664228 | 664229 | 664230 | 664231 | 664232 |
| 18 | ORIFICE, MAIN BURNER, NATURAL GAS | 661047 | 661047 | 661047 | 661047 | 661047 |
| 19 | FLAME SENSOR | 632484 | 632484 | 632484 | 632484 | 632484 |
| 20 | GAS VALVE | 624657 | 624657 | 624657 | 624657 | 624657 |
| 21 | ROLL-OUT SWITCH | 626610 | 626610 | 626610 | 626609 | 626609 |
| 22 | DOOR SWITCH | 632125 | 632125 | 632125 | 632125 | 632125 |
| 23 | BLOWER ASSEMBLY | 904681 | 904682 | 904682 | 1003481 | 1003481 |
| 24 | BLOWER HOUSING ASSEMBLY | 297200R | 297207R | 297207R | 297209R | 294209R |
| 25 | CAPACITOR | 622599 | 626545 | 626545 | 622549 | 622549 |
| 26 | MOTOR, BLOWER | 904857 | 904858 | 904858 | 1003005 | 1003005 |
| 27 | WHEEL, BLOWER | 667251 | 667258 | 667258 | 667280 | 667280 |
| 28 | BLOWER LIMIT | 626611 | 626611 | 626611 | 626611 | 626611 |
| 29 | REPL. MOTOR MOUNT KIT | N/A | 904951 | 904951 | 904951 | 904951 |
| 30 | HOSE, HIGH TEMPERATURE (NOT SHOWN) | 263967 | 263967 | 263967 | 263967 | 263967 |
| 31 | SET OF WIRES (NOT SHOWN) | M0036035 | M0036038 | M0036038 | M0036030 | M0036030 |

Please specify the correct Model No., Serial No, and part number(s) when ordering parts from the nearest authorized dealer or service center.
FOR COMPONENT LOCATIONS, SEE PAGE 7.

MGC2SA-1 UPFLOW / HORIZONTAL NON-CONDENSING GAS FURNACE - 80% + AFUE

| ITEM | DESCRIPTION | 045-23A1 | 054-23A1 | 072-24B1 | 090-24B1 | 072-35C1 | 090-35C1 | 108-35C1 | 126-45D1 |
|------|--------------------------------|----------|----------|----------|----------|----------|----------|----------|----------|
| 1 | DOOR SET | 904771 | 904771 | 904772 | 904772 | 904773 | 904773 | 904773 | 904774 |
| 2 | TOP PANEL | 295911R | 295911R | 295912R | 295912R | 295913R | 295913R | 295913R | 295914R |
| 3 | COLLECTOR PAN WITH GASKET | 904805 | 904901 | 904998 | 904807 | 905016 | 904809 | 904810 | 905018 |
| 4 | INDUCER MOTOR | 904999 | 904999 | 904999 | 904999 | 904999 | 904999 | 904999 | 904999 |
| 5 | INDUCER GASKET (NOT SHOWN) | 689988 | 689988 | 689988 | 689988 | 689988 | 689988 | 689988 | 689988 |
| 6 | TRANSFORMER | 622341 | 622341 | 622341 | 622341 | 622341 | 622341 | 622341 | 622341 |
| 7 | CONTROL BOARD | 920915 | 920915 | 920915 | 920915 | 920915 | 920915 | 920915 | 920915 |
| 8 | FUSE | 632261 | 632261 | 632261 | 632261 | 632261 | 632261 | 632261 | 632261 |
| 9 | PRESSURE SWITCH | 632489 | 632489 | 632489 | 632489 | 632489 | 632488 | 632636 | 632520 |
| 10 | HEAT EXCHANGER | 904779 | 904779 | 904780 | 904781 | 904782 | 904783 | 904868 | 904785 |
| 11 | MAIN AIR LIMIT | 626614 | 626614 | 626612 | 626613 | 626616 | 626614 | 626614 | 626598 |
| 12 | BURNER ASSEMBLY | 904819 | 904820 | 904822 | 904824 | 904822 | 904824 | 904826 | 904828 |
| 13 | IGNITOR ASSEMBLY - NITRIDE | 921074 | 921074 | 921074 | 921074 | 921074 | 921074 | 921074 | 921074 |
| 14 | IGNITER BRACKET (NOT SHOWN) | 299261 | 299261 | 299261 | 299261 | 299261 | 299261 | 299261 | 299261 |
| 15 | INSHOT BURNER | 661134 | 661134 | 661134 | 661134 | 661134 | 661134 | 661134 | 661134 |
| 16 | MANIFOLD, BURNER TUBE | 664228 | 664228 | 664229 | 664230 | 664229 | 664230 | 664231 | 664232 |
| 17 | ORIFICE, MAIN BURNER, NAT. GAS | 661049 | 661047 | 661047 | 661047 | 661047 | 661047 | 661047 | 661047 |
| 18 | FLAME SENSOR | 632484 | 632484 | 632484 | 632484 | 632484 | 632484 | 632484 | 632484 |
| 19 | GAS VALVE | 624657 | 624657 | 624657 | 624657 | 624657 | 624657 | 624657 | 624657 |
| 20 | ROLL-OUT SWITCH | 626610 | 626610 | 626610 | 626610 | 626610 | 626609 | 626610 | 626610 |
| 21 | DOOR SWITCH | 632125 | 632125 | 632125 | 632125 | 632125 | 632125 | 632125 | 632125 |
| 22 | BLOWER ASSEMBLY | 904681 | 904681 | 904682 | 904682 | 904683 | 904683 | 1003481 | 1003481 |
| 23 | BLOWER HOUSING ASSEMBLY | 297200R | 297200R | 297207R | 297207R | 297204R | 297204R | 297209R | 297209R |
| 24 | CAPACITOR | 622545 | 622545 | 622545 | 622545 | 622549 | 622549 | 622549 | 622549 |
| 25 | MOTOR, BLOWER | 904857 | 904857 | 904858 | 904858 | 904859 | 904859 | 1003005 | 1003005 |
| 26 | WHEEL, BLOWER | 667251 | 667251 | 667258 | 667258 | 667207 | 667207 | 667280 | 667280 |
| 27 | BLOWER LIMIT | 626611 | 626611 | 626611 | 626611 | 626611 | 626611 | 626611 | 626611 |
| 28 | REPL. MOTOR MOUNT KIT | N/A | N/A | 904951 | 904951 | 904980 | 904980 | 904951 | 904951 |
| 29 | HOSE, HIGH TEMP (NOT SHOWN) | 263967 | 263967 | 263967 | 263967 | 263967 | 263967 | 263967 | 263967 |
| 30 | SET OF WIRES (NOT SHOWN) | M0036001 | M0036001 | M0036001 | M0036001 | M0036005 | M0036005 | M0036005 | M0036005 |

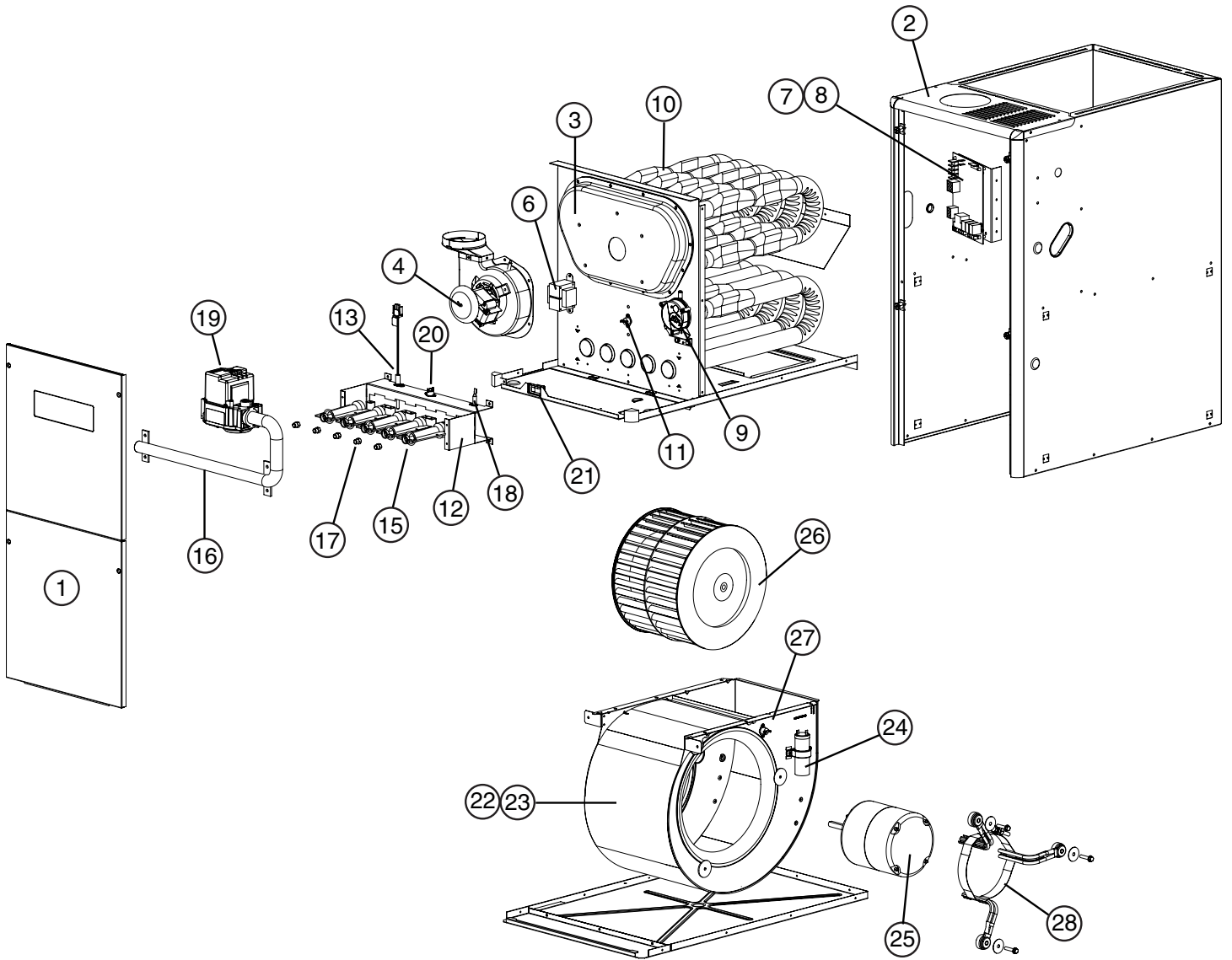
Please specify the correct Model No., Serial No, and part number(s) when ordering parts from the nearest authorized dealer or service center.
FOR COMPONENT LOCATIONS, SEE PAGE 6.

MGC2SK-1 DOWNFLOW NON-CONDENSING GAS FURNACE - 80% + AFUE

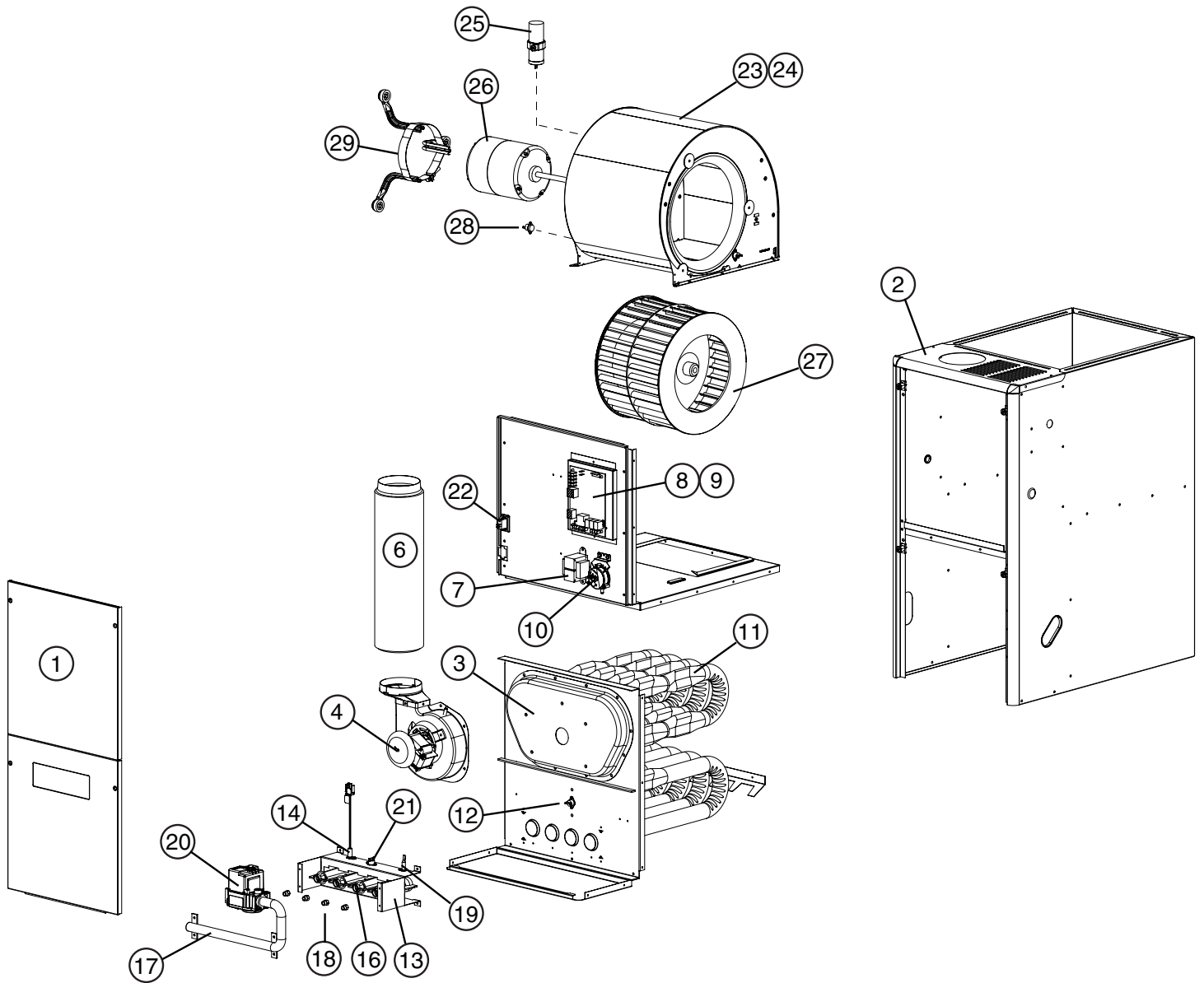
| ITEM | DESCRIPTION | 054-23A1 | 072-24B1 | 090-24B1 | 108-35C1 | 126-45D1 |
|------|------------------------------------|----------|----------|----------|----------|----------|
| 1 | DOOR SET | 904771 | 904772 | 904772 | 904773 | 904774 |
| 2 | TOP PANEL | 295911R | 295912R | 295912R | 295913R | 295914R |
| 3 | COLLECTOR PAN WITH GASKET | 904901 | 904806 | 904806 | 905017 | 905019 |
| 4 | INDUCER MOTOR | 904999 | 904999 | 904999 | 904999 | 904999 |
| 5 | INDUCER GASKET (NOT SHOWN) | 689988 | 689988 | 689988 | 689988 | 689988 |
| 6 | COMBUSTION TUBE | 299291 | 299291 | 299291 | 299291 | 299291 |
| 7 | TRANSFORMER | 622341 | 622341 | 622341 | 622341 | 622341 |
| 8 | CONTROL BOARD | 920915 | 920915 | 920915 | 920915 | 920915 |
| 9 | FUSE | 632261 | 632261 | 632261 | 632261 | 632261 |
| 10 | PRESSURE SWITCH | 632488 | 632489 | 632489 | 632488 | 632488 |
| 11 | HEAT EXCHANGER | 904779 | 904780 | 904781 | 904868 | 904785 |
| 12 | MAIN AIR LIMIT | 626601 | 626601 | 626617 | 626617 | 626601 |
| 13 | BURNER ASSEMBLY | 904820 | 904822 | 904824 | 904826 | 904828 |
| 14 | IGNITOR ASSEMBLY - NITRIDE | 921074 | 921074 | 921074 | 921074 | 921074 |
| 15 | IGNITER BRACKET (NOT SHOWN) | 299261 | 299261 | 299261 | 299261 | 299261 |
| 16 | INSHOT BURNER | 661134 | 661134 | 661134 | 661134 | 661134 |
| 17 | MANIFOLD, BURNER TUBE | 664228 | 664229 | 664230 | 664231 | 664232 |
| 18 | ORIFICE, MAIN BURNER, NATURAL GAS | 661047 | 661047 | 661047 | 661047 | 661047 |
| 19 | FLAME SENSOR | 632484 | 632484 | 632484 | 632484 | 632484 |
| 20 | GAS VALVE | 624657 | 624657 | 624657 | 624657 | 624657 |
| 21 | ROLL-OUT SWITCH | 626610 | 626610 | 626610 | 626609 | 626609 |
| 22 | DOOR SWITCH | 632125 | 632125 | 632125 | 632125 | 632125 |
| 23 | BLOWER ASSEMBLY | 904681 | 904682 | 904682 | 1003481 | 1003481 |
| 24 | BLOWER HOUSING ASSEMBLY | 297200R | 297207R | 297207R | 297209R | 294209R |
| 25 | CAPACITOR | 622545 | 626545 | 626545 | 622549 | 622549 |
| 26 | MOTOR, BLOWER | 904857 | 904858 | 904858 | 1003005 | 1003005 |
| 27 | WHEEL, BLOWER | 667251 | 667258 | 667258 | 667280 | 667280 |
| 28 | BLOWER LIMIT | 626611 | 626611 | 626611 | 626611 | 626611 |
| 29 | REPL. MOTOR MOUNT KIT | N/A | 904951 | 904951 | 904951 | 904951 |
| 30 | HOSE, HIGH TEMPERATURE (NOT SHOWN) | 263967 | 263967 | 263967 | 263967 | 263967 |
| 31 | SET OF WIRES (NOT SHOWN) | M0036035 | M0036038 | M0036038 | M0036030 | M0036030 |

Please specify the correct Model No., Serial No, and part number(s) when ordering parts from the nearest authorized dealer or service center.
FOR COMPONENT LOCATIONS, SEE PAGE 7.

MGC2SA & MGC2SA-1 UPFLOW / HORIZONTAL COMPONENT LOCATION



MGC2SK & MGC2SK-1 80+ DOWNFLOW COMPONENT LOCATION



MGC2SC UPFLOW / HORIZONTAL CONDENSING GAS FURNACE - 92.1% AFUE

| ITEM | DESCRIPTION | 038D-23A | 054D-24B | 072D-24B | 072D-35C | 090D-35C | 108D-45D | 120D-45D |
|------|--------------------------------------|----------|----------|----------|----------|----------|----------|----------|
| 1 | DOOR SET | 904771 | 904772 | 904772 | 904773 | 904773 | 904774 | 904774 |
| 2 | TOP PANEL | 2B3551R | 2B3552R | 2B3552R | 2B3553R | 2B3553R | 2B3554R | 2B3554R |
| 3 | BURNER ASSEMBLY | 904818 | 904821 | 904823 | 904823 | 904825 | 904827 | 904977 |
| 4 | IGNITOR ASSEMBLY - NITRIDE | 921074 | 921074 | 921074 | 921074 | 921074 | 921074 | 921074 |
| 5 | IGNITER BRACKET (NOT SHOWN) | 299261 | 299261 | 299261 | 299261 | 299261 | 299261 | 299261 |
| 6 | INSHOT BURNER | 661134 | 661134 | 661134 | 661134 | 661134 | 661134 | 661134 |
| 7 | MANIFOLD, BURNER TUBE | 664237 | 664238 | 664239 | 664239 | 664240 | 664241 | 664241 |
| 8 | ORIFICE, MAIN BURNER, NAT. GAS | 661045 | 661047 | 661047 | 661047 | 661047 | 661047 | 661045 |
| 9 | FLAME SENSOR | 632484 | 632484 | 632484 | 632484 | 632484 | 632484 | 632484 |
| 10 | GAS VALVE | 624657 | 624657 | 624657 | 624657 | 624657 | 624657 | 624657 |
| 11 | ROLL-OUT SWITCH | 626608 | 626608 | 626609 | 626609 | 626609 | 626609 | 626608 |
| 12 | CONTROL BOARD | 920915 | 920915 | 920915 | 920915 | 920915 | 920915 | 920915 |
| 13 | FUSE | 632261 | 632261 | 632261 | 632261 | 632261 | 632261 | 632261 |
| 14 | HEAT EXCHANGER | 904786 | 904869 | 904788 | 904870 | 904871 | 904791 | 904791 |
| 15 | MAIN AIR LIMIT | 626598 | 626614 | 626613 | 626614 | 626613 | 626614 | 626614 |
| 16 | INDUCER MOTOR | 904798 | 904798 | 904798 | 904798 | 904798 | 904798 | 904798 |
| 17 | INDUCER ORIFICE | 669719 | 669712 | 669713 | 669715 | 669717 | Not Used | Not Used |
| 18 | INDUCER LIMIT | 626606 | 626606 | 626606 | 626606 | 626606 | 626606 | 626606 |
| 19 | OUTLET HEADER BOX | 904801 | 904802 | 904802 | 904803 | 904803 | 904804 | 904804 |
| 20 | PRESSURE SWITCH (CONDENSATE) | 632585 | 632491 | 632622 | 632491 | 632491 | 632491 | 632491 |
| 21 | PRESSURE SWITCH (INDUCER) | 632585 | 632487 | 632495 | 632493 | 632493 | 632493 | 632493 |
| 22 | TRANSFORMER | 622341 | 622341 | 622341 | 622341 | 622341 | 622341 | 622341 |
| 23 | DOOR SWITCH | 632125 | 632125 | 632125 | 632125 | 632125 | 632125 | 632125 |
| 24 | BLOWER ASSEMBLY | 904681 | 904682 | 904682 | 904683 | 1003481 | 1003481 | 1003481 |
| 25 | BLOWER HOUSING ASSEMBLY | 297200R | 294207R | 297207R | 297204R | 297209R | 297209R | 297209R |
| 26 | CAPACITOR | 622599 | 622545 | 622545 | 622549 | 622549 | 622549 | 622549 |
| 27 | MOTOR, BLOWER (PSC) | 904857 | 904858 | 904858 | 904859 | 1003005 | 1003005 | 1003005 |
| 28 | WHEEL, BLOWER | 667251 | 667258 | 667258 | 667207 | 667280 | 667280 | 667280 |
| 29 | BLOWER LIMIT | 626611 | 626611 | 626611 | 626611 | 626611 | 626611 | 626611 |
| 30 | REPL. MOTOR MOUNT KIT | N/A | 904951 | 904951 | 904980 | 904951 | 904951 | 904951 |
| 31 | IN-LINE DRAIN ASSEMBLY | 664435 | 664435 | 664435 | 664435 | 664435 | 664435 | 664435 |
| 32 | DRAIN TUBE, SOFT, 23" (NOT SHOWN) | 664434 | 664434 | 664434 | 664434 | 664434 | 664434 | 664434 |
| 33 | DRAIN TUBE, HARD "J"(NOT SHOWN) | 663706 | 663706 | 663706 | 663706 | 663706 | 663706 | 663706 |
| 34 | DRAIN TUBE, SOFT, "J" 30"(NOT SHOWN) | 663707 | 663707 | 663707 | 663707 | 663707 | 663707 | 663707 |
| 35 | TUBE, SOFT, 6.5" (NOT SHOWN) | 663727 | 663727 | 663727 | 663727 | 663727 | 663727 | 663727 |
| 36 | HOSE, HIGH TEMPERATURE (NOT SHOWN) | 263967 | 263967 | 263967 | 263967 | 263967 | 263967 | 263967 |
| 37 | SET OF WIRES (NOT SHOWN) | M0036009 | M0036003 | M0036003 | M0036007 | M0036007 | M0036007 | M0036007 |
| 38 | FINISH FLANGE, INLET AIR | 664633 | 664633 | 664633 | 664633 | 664633 | 664633 | 664633 |

Please specify the correct Model No., Serial No, and part number(s) when ordering parts from the nearest authorized dealer or service center.
FOR COMPONENT LOCATIONS, SEE PAGE 13.

MGC2SL DOWNFLOW CONDENSING GAS FURNACE - 92.1% AFUE

| ITEM | DESCRIPTION | 054D-24B | 072D-24B | 090D-35C | 120D-45D |
|------|---------------------------------------|----------|----------|----------|----------|
| 1 | DOOR SET | 904772 | 904772 | 904773 | 904774 |
| 2 | TOP PANEL | 2B3562R | 2B3562R | 2B3563R | 2B3564R |
| 3 | BURNER ASSEMBLY | 904821 | 904823 | 904825 | 904997 |
| 4 | IGNITOR ASSEMBLY - NITRIDE | 921074 | 921074 | 921074 | 921074 |
| 5 | IGNITER BRACKET (NOT SHOWN) | 299261 | 299261 | 299261 | 299261 |
| 6 | INSHOT BURNER | 661134 | 661134 | 661134 | 661134 |
| 7 | MANIFOLD, BURNER TUBE | 664238 | 664239 | 664240 | 664241 |
| 8 | ORIFICE, MAIN BURNER, NATURAL GAS | 661047 | 661047 | 661047 | 661045 |
| 9 | FLAME SENSOR | 632484 | 632484 | 632484 | 632484 |
| 10 | GAS VALVE | 624657 | 624657 | 624657 | 624657 |
| 11 | ROLL-OUT SWITCH | 626609 | 626610 | 626610 | 626610 |
| 12 | CONTROL BOARD | 920915 | 920915 | 920915 | 920915 |
| 13 | FUSE | 632261 | 632261 | 632261 | 632261 |
| 14 | HEAT EXCHANGER | 904869 | 904788 | 904871 | 904791 |
| 15 | MAIN AIR LIMIT | 626598 | 626598 | 626613 | 626598 |
| 16 | INDUCER MOTOR | 904798 | 904798 | 904798 | 904798 |
| 17 | INDUCER ORIFICE | 669712 | 669713 | 669714 | Not Used |
| 18 | INDUCER LIMIT | 626606 | 626606 | 626606 | 626606 |
| 19 | OUTLET HEADER BOX | 904802 | 904802 | 904803 | 904804 |
| 20 | PRESSURE SWITCH (INDUCER) | 632487 | 632487 | 632487 | 632487 |
| 21 | TRANSFORMER | 622341 | 622341 | 622341 | 622341 |
| 22 | DOOR SWITCH | 632125 | 632125 | 632125 | 632125 |
| 23 | BLOWER ASSEMBLY | 904682 | 904682 | 1003481 | 1003481 |
| 24 | BLOWER HOUSING ASSEMBLY | 297207R | 297207R | 297209R | 297209R |
| 25 | CAPACITOR | 622545 | 622545 | 622549 | 622549 |
| 26 | MOTOR, BLOWER (PSC) | 904858 | 904858 | 1003005 | 1003005 |
| 27 | WHEEL, BLOWER | 667258 | 667258 | 667280 | 667280 |
| 28 | BLOWER LIMIT/BLOWER DECK LIMIT | 626611 | 626611 | 626611 | 626611 |
| 29 | REPL. MOTOR MOUNT KIT | 904951 | 904951 | 904951 | 904951 |
| 30 | IN-LINE DRAIN ASSEMBLY | 664435 | 664435 | 664435 | 664435 |
| 31 | DRAIN TUBE, SOFT, 23" (NOT SHOWN) | 664434 | 664434 | 664434 | 664434 |
| 32 | DRAIN TUBE, HARD "J" (NOT SHOWN) | 663706 | 663706 | 663706 | 663706 |
| 33 | DRAIN TUBE, SOFT, "J" 30" (NOT SHOWN) | 663707 | 663707 | 663707 | 663707 |
| 34 | TUBE, SOFT, 5.5" (NOT SHOWN) | 664520 | 664520 | 664520 | 664520 |
| 35 | HOSE, HIGH TEMPERATURE (NOT SHOWN) | 263967 | 263967 | 263967 | 263967 |
| 36 | SET OF WIRES (NOT SHOWN) | M0036004 | M0036004 | M0036029 | M0036029 |
| 38 | FINISH FLANGE, INLET AIR | 664633 | 664633 | 664633 | 664633 |

Please specify the correct Model No., Serial No, and part number(s) when ordering parts from the nearest authorized dealer or service center.
FOR COMPONENT LOCATIONS, SEE PAGE 13.

MGC2SD UPFLOW / HORIZONTAL CONDENSING GAS FURNACE - 95.0 % AFUE

| ITEM | DESCRIPTION | 038D-23B | 054D-24B | 072D-35C | 090D-35C | 108D-45D | 120D-45D |
|------|--------------------------------------|----------|----------|----------|----------|----------|----------|
| 1 | DOOR SET | 904772 | 904772 | 904773 | 904773 | 904774 | 904774 |
| 2 | TOP PANEL | 2A9512R | 2A9512R | 2A9513R | 2A9513R | 2A9514R | 2A9514R |
| 3 | BURNER ASSEMBLY | 905020 | 905021 | 905022 | 905023 | 905024 | 905025 |
| 4 | IGNITOR ASSEMBLY - NITRIDE | 921074 | 921074 | 921074 | 921074 | 921074 | 921074 |
| 5 | IGNITER BRACKET (NOT SHOWN) | 299261 | 299261 | 299261 | 299261 | 299261 | 299261 |
| 6 | INSHOT BURNER | 661128 | 661128 | 661128 | 661128 | 661128 | 661128 |
| 7 | MANIFOLD, BURNER TUBE | 664473 | 664473 | 664243 | 664244 | 664245 | 664245 |
| 8 | ORIFICE, MAIN BURNER, NAT. GAS | 661051 | 661047 | 661047 | 661047 | 661046 | 661045 |
| 9 | FLAME SENSOR | 632484 | 632484 | 632484 | 632484 | 632484 | 632484 |
| 10 | GAS VALVE | 624657 | 624657 | 624657 | 624657 | 624657 | 624657 |
| 11 | ROLL-OUT SWITCH | 626609 | 626610 | 626610 | 626610 | 626610 | 626610 |
| 12 | CONTROL BOARD | 920915 | 920915 | 920915 | 920915 | 920915 | 920915 |
| 13 | FUSE | 632261 | 632261 | 632261 | 632261 | 632261 | 632261 |
| 14 | HEAT EXCHANGER | 904792 | 904792 | 904793 | 904794 | 904795 | 904795 |
| 15 | MAIN AIR LIMIT | 626603 | 626598 | 626598 | 626612 | 626612 | 626612 |
| 16 | INDUCER MOTOR | 904798 | 904798 | 904798 | 904798 | 904798 | 904798 |
| 17 | INDUCER ORIFICE | 669927 | 669718 | 669719 | 669734 | 669715 | 669717 |
| 18 | INDUCER LIMIT | 626606 | 626606 | 626606 | 626606 | 626606 | 626606 |
| 19 | OUTLET HEADER BOX | 904802 | 904802 | 904803 | 904803 | 904804 | 904804 |
| 20 | PRESSURE SWITCH (CONDENSATE) | 632674 | 632493 | 632493 | 632624 | 632445 | 632622 |
| 21 | PRESSURE SWITCH (INDUCER) | 632673 | 632487 | 632487 | 632487 | 632675 | 632571 |
| 22 | TRANSFORMER | 622341 | 622341 | 622341 | 622341 | 622341 | 622341 |
| 23 | DOOR SWITCH | 632125 | 632125 | 632125 | 632125 | 632125 | 632125 |
| 24 | BLOWER ASSEMBLY | 904682 | 904682 | 904683 | 1003481 | 1003481 | 1003481 |
| 25 | BLOWER HOUSING ASSEMBLY | 294207R | 294207R | 297204R | 297209R | 297209R | 297209R |
| 26 | CAPACITOR | 622545 | 622545 | 622549 | 622549 | 622549 | 622549 |
| 27 | MOTOR, BLOWER (PSC) | 904858 | 904858 | 904859 | 1003005 | 1003005 | 1003005 |
| 28 | WHEEL, BLOWER | 667258 | 667258 | 667207 | 667280 | 667280 | 667280 |
| 29 | BLOWER LIMIT | 626611 | 626611 | 626611 | 626611 | 626611 | 626611 |
| 30 | REPL. MOTOR MOUNT KIT | 904951 | 904951 | 904980 | 904951 | 904951 | 904951 |
| 31 | IN-LINE DRAIN ASSEMBLY | 664435 | 664435 | 664435 | 664435 | 664435 | 664435 |
| 32 | DRAIN TUBE, SOFT, 23" (NOT SHOWN) | 664434 | 664434 | 664434 | 664434 | 664434 | 664434 |
| 33 | DRAIN TUBE, HARD "J"(NOT SHOWN) | 663706 | 663706 | 663706 | 663706 | 663706 | 663706 |
| 34 | DRAIN TUBE, SOFT, "J" 30"(NOT SHOWN) | 663707 | 663707 | 663707 | 663707 | 663707 | 663707 |
| 35 | TUBE, SOFT, 6.5" (NOT SHOWN) | 663727 | 663727 | 663727 | 663727 | 663727 | 663727 |
| 36 | HOSE, HIGH TEMPERATURE (NOT SHOWN) | 263967 | 263967 | 263967 | 263967 | 263967 | 263967 |
| 37 | SET OF WIRES (NOT SHOWN) | M0036003 | M0036003 | M0036007 | M0036007 | M0036007 | M0036007 |
| 38 | FINISH FLANGE, INLET AIR | 664633 | 664633 | 664633 | 664633 | 664633 | 664633 |
| 39 | PVC TRAP (NOT SHOWN) | 664659 | 664659 | 664659 | 664659 | 664659 | 664659 |

Please specify the correct Model No., Serial No. and part number(s) when ordering parts from the nearest authorized dealer or service center.
FOR COMPONENT LOCATIONS, SEE PAGE 13.

MGC2SM DONWFLOW CONDENSING GAS FURNACE - 95.0% AFUE

| ITEM | DESCRIPTION | 054D-24B | 072D-35C | 090D-35C | 118D-45D |
|------|---------------------------------------|----------|----------|----------|----------|
| 1 | DOOR SET | 904772 | 904773 | 904773 | 904774 |
| 2 | TOP PANEL | 2B3562R | 2B3563R | 2B3563R | 2B3564R |
| 3 | BURNER ASSEMBLY | 905026 | 905022 | 905023 | 905027 |
| 4 | IGNITOR ASSEMBLY - NITRIDE | 921074 | 921074 | 921074 | 921074 |
| 5 | IGNITER BRACKET (NOT SHOWN) | 299261 | 299261 | 299261 | 299261 |
| 6 | INSHOT BURNER | 661128 | 661128 | 661128 | 661128 |
| 7 | MANIFOLD, BURNER TUBE | 664611 | 664243 | 664244 | 664245 |
| 8 | ORIFICE, MAIN BURNER, NATURAL GAS | 661047 | 661047 | 661047 | 661046 |
| 9 | FLAME SENSOR | 632484 | 632484 | 632484 | 632484 |
| 10 | GAS VALVE | 624657 | 624657 | 624657 | 624657 |
| 11 | ROLL-OUT SWITCH | 626610 | 626610 | 626610 | 626610 |
| 12 | CONTROL BOARD | 920915 | 920915 | 920915 | 920915 |
| 13 | FUSE | 632261 | 632261 | 632261 | 632261 |
| 14 | HEAT EXCHANGER | 904869 | 904788 | 904871 | 904791 |
| 15 | MAIN AIR LIMIT | 626601 | 626617 | 626613 | 626613 |
| 16 | INDUCER MOTOR | 904798 | 904798 | 904798 | 904798 |
| 17 | INDUCER ORIFICE | 669718 | 669719 | 669734 | 669717 |
| 18 | INDUCER LIMIT | 626606 | 626606 | 626606 | 626606 |
| 19 | OUTLET HEADER BOX | 904802 | 904803 | 904803 | 904804 |
| 20 | PRESSURE SWITCH (INDUCER) | 632487 | 632487 | 632487 | 632571 |
| 21 | TRANSFORMER | 622341 | 622341 | 622341 | 622341 |
| 22 | DOOR SWITCH | 632125 | 632125 | 632125 | 632125 |
| 23 | BLOWER ASSEMBLY | 904682 | 1003481 | 1003481 | 1003481 |
| 24 | BLOWER HOUSING ASSEMBLY | 297207R | 297209R | 297209R | 297209R |
| 25 | CAPACITOR | 622545 | 622549 | 622549 | 622549 |
| 26 | MOTOR, BLOWER (PSC) | 904858 | 1003005 | 1003005 | 1003005 |
| 27 | WHEEL, BLOWER | 667258 | 667280 | 667280 | 667280 |
| 28 | BLOWER LIMIT/BLOWER DECK LIMIT | 626611 | 626611 | 626611 | 626611 |
| 29 | REPL. MOTOR MOUNT KIT | 904951 | 904951 | 904951 | 904951 |
| 30 | IN-LINE DRAIN ASSEMBLY | 664435 | 664435 | 664435 | 664435 |
| 31 | DRAIN TUBE, SOFT, 23" (NOT SHOWN) | 664434 | 664434 | 664434 | 664434 |
| 32 | DRAIN TUBE, HARD "J" (NOT SHOWN) | 663706 | 663706 | 663706 | 663706 |
| 33 | DRAIN TUBE, SOFT, "J" 30" (NOT SHOWN) | 663707 | 663707 | 663707 | 663707 |
| 34 | TUBE, SOFT, 5.5" (NOT SHOWN) | 664520 | 664520 | 664520 | 664520 |
| 35 | HOSE, HIGH TEMPERATURE (NOT SHOWN) | 263967 | 263967 | 263967 | 263967 |
| 36 | SET OF WIRES (NOT SHOWN) | M0036004 | M0036029 | M0036029 | M0036029 |
| 38 | FINISH FLANGE, INLET AIR | 664633 | 664633 | 664633 | 664633 |

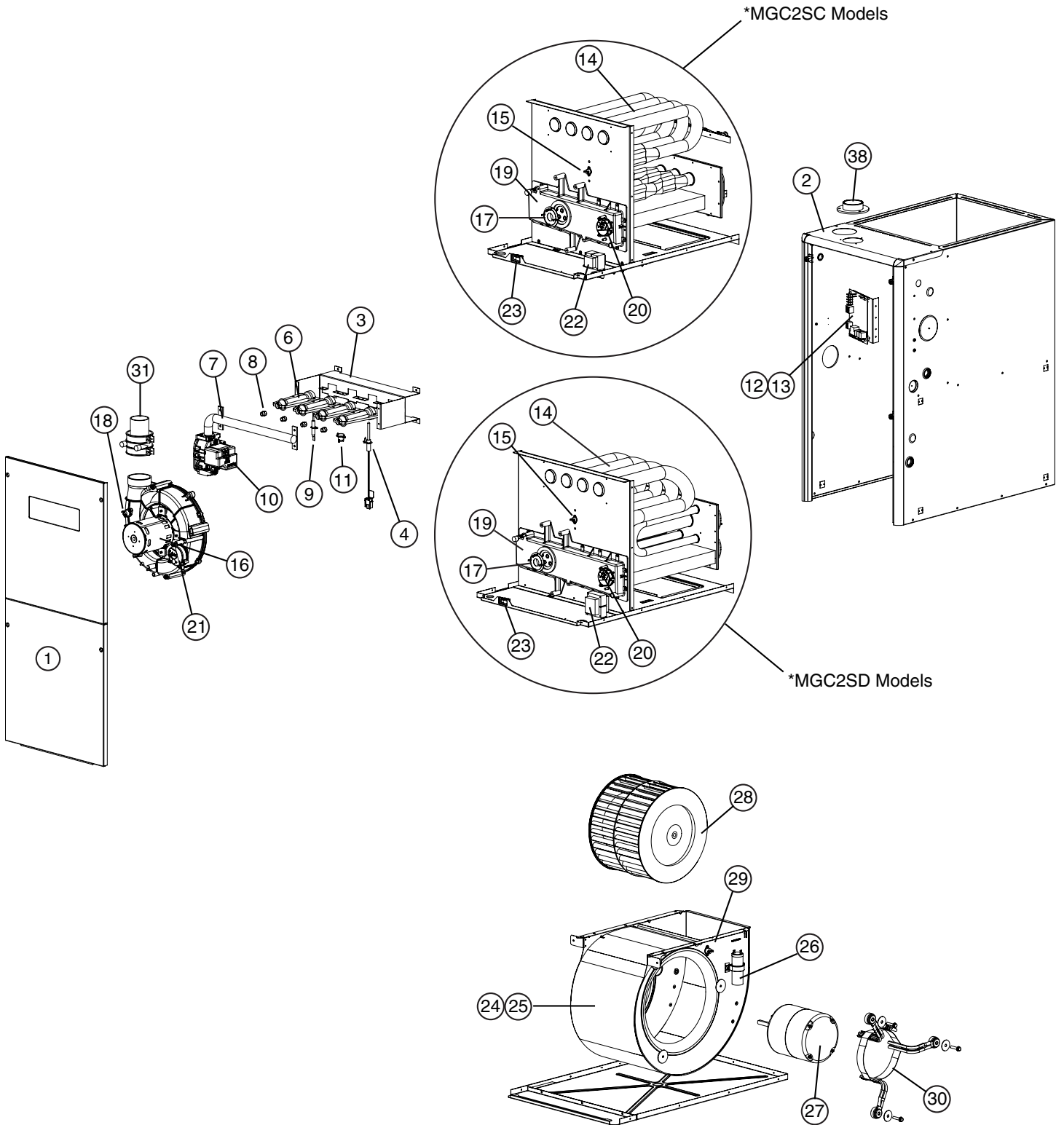
Please specify the correct Model No., Serial No, and part number(s) when ordering parts from the nearest authorized dealer or service center.
FOR COMPONENT LOCATIONS, SEE PAGE 14.

**MGC2SD UPFLOW / HORIZONTAL W/ ECM MOTOR - REPLACEMENT PARTS LIST
UP TO 95.0% AFUE**

| ITEM | DESCRIPTION | 054B4X | 072C4X | 090C4X | 108D4X | 120D4X |
|------|--------------------------------------|-----------|-----------|-----------|-----------|-----------|
| 1 | DOOR SET | 904772 | 904772 | 904773 | 904773 | 904774 |
| 2 | TOP PANEL | 2A9512R | 2A9513R | 2A9513R | 2A9514R | 2A9514R |
| 3 | BURNER ASSEMBLY | 905021 | 905022 | 905023 | 905024 | 905025 |
| 4 | IGNITOR ASSEMBLY - NITRIDE | 921074 | 921074 | 921074 | 921074 | 921074 |
| 5 | IGNITER BRACKET (NOT SHOWN) | 299261R | 299261R | 299261R | 299261R | 299261R |
| 6 | INSHOT BURNER | 661128 | 661128 | 661128 | 661128 | 661128 |
| 7 | MANIFOLD, BURNER TUBE | 664473 | 664243R | 664244R | 664245R | 664245R |
| 8 | ORIFICE, MAIN BURNER, NAT. GAS | 661047R | 661047R | 661047R | 661046R | 661045R |
| 9 | FLAME SENSOR | 632484R | 632484R | 632484R | 632484R | 632484R |
| 10 | GAS VALVE | 624775 | 624775 | 624775 | 624775 | 624775 |
| 11 | ROLL-OUT SWITCH | 626610 | 626610 | 626610 | 626610 | 626610 |
| 12 | CONTROL BOARD | 920915 | 920915 | 920915 | 920915 | 920915 |
| 13 | FUSE | 632261 | 632261 | 632261 | 632261 | 632261 |
| 14 | HEAT EXCHANGER | 904792 | 904793 | 904794 | 904795 | 904795 |
| 15 | MAIN AIR LIMIT | 626598 | 626598 | 626561R | 626561R | 626561R |
| 16 | INDUCER MOTOR | 904798 | 904798 | 904798 | 904798 | 904798 |
| 17 | INDUCER ORIFICE | 669718R | 669719R | 669734R | 669715R | 669717R |
| 18 | INDUCER LIMIT | 626599 | 626599 | 626599 | 626599 | 626599 |
| 19 | OUTLET HEADER BOX | 904802 | 904803 | 904803 | 904804 | 904804 |
| 20 | PRESSURE SWITCH (CONDENSATE) | 632493R | 632493 | 632624 | 632445 | 632622R |
| 21 | PRESSURE SWITCH (INDUCER) | 632487R | 632487R | 632487R | 632675 | 632571 |
| 22 | TRANSFORMER | 622341 | 622341 | 622341 | 622341 | 622341 |
| 23 | DOOR SWITCH | 632125R | 632125R | 632125R | 632125R | 632125R |
| 24 | BLOWER ASSEMBLY | 904873 | 904874 | 904874 | 904875 | 904875 |
| 25 | BLOWER HOUSING ASSEMBLY | 297207 | 297204R | 297209R | 297209R | 297209R |
| 26 | PVC TRAP (NOT SHOWN) | 664659R | 664659R | 664659R | 664659R | 664659R |
| 27 | MOTOR, BLOWER (ECM) | 921650 | 921651 | 921651 | 921652 | 921652 |
| 28 | WHEEL, BLOWER | 667374R | 667280R | 667280R | 667280R | 667280R |
| 29 | BLOWER LIMIT | 626611 | 626611 | 626611 | 626611 | 626611 |
| 30 | REPL. MOTOR MOUNT KIT | 904907 | 904907 | 904907 | 904951 | 904951 |
| 31 | IN-LINE DRAIN ASSEMBLY | 664435R | 664435R | 664435R | 664435R | 664435R |
| 32 | DRAIN TUBE, SOFT, 23" (NOT SHOWN) | 664434 | 664434 | 664434 | 664434 | 664434 |
| 33 | DRAIN TUBE, HARD "J"(NOT SHOWN) | 663706R | 663706R | 663706R | 663706R | 663706R |
| 34 | DRAIN TUBE, SOFT, "J" 30"(NOT SHOWN) | 663707 | 663707 | 663707 | 663707 | 663707 |
| 35 | TUBE, SOFT, 6.5" (NOT SHOWN) | 663727 | 663727 | 663727 | 663727 | 663727 |
| 36 | HOSE, HIGH TEMPERATURE (NOT SHOWN) | 263967R | 263967R | 263967R | 263967R | 263967R |
| 37 | SET OF WIRES (NOT SHOWN) | M0036039R | M0036040R | M0036040R | M0036040R | M0036040R |
| 38 | FINISH FLANGE, INLET AIR | 664633 | 664633 | 664633 | 664633 | 664633 |
| 39 | Blower choke | 920920 | 920920 | 920920 | 920920 | 920920 |
| 40 | Blower Control Board | -- | 622340 | 622340 | 622340 | 622340 |

Please specify the correct Model No., Serial No, and part number(s) when ordering parts from the nearest authorized dealer or service center.
FOR COMPONENT LOCATIONS, SEE PAGE 13.

MGC2SC UPFLOW / HORIZONTAL COMPONENT LOCATION



MGC2SL DOWNFLOW COMPONENT LOCATION

