

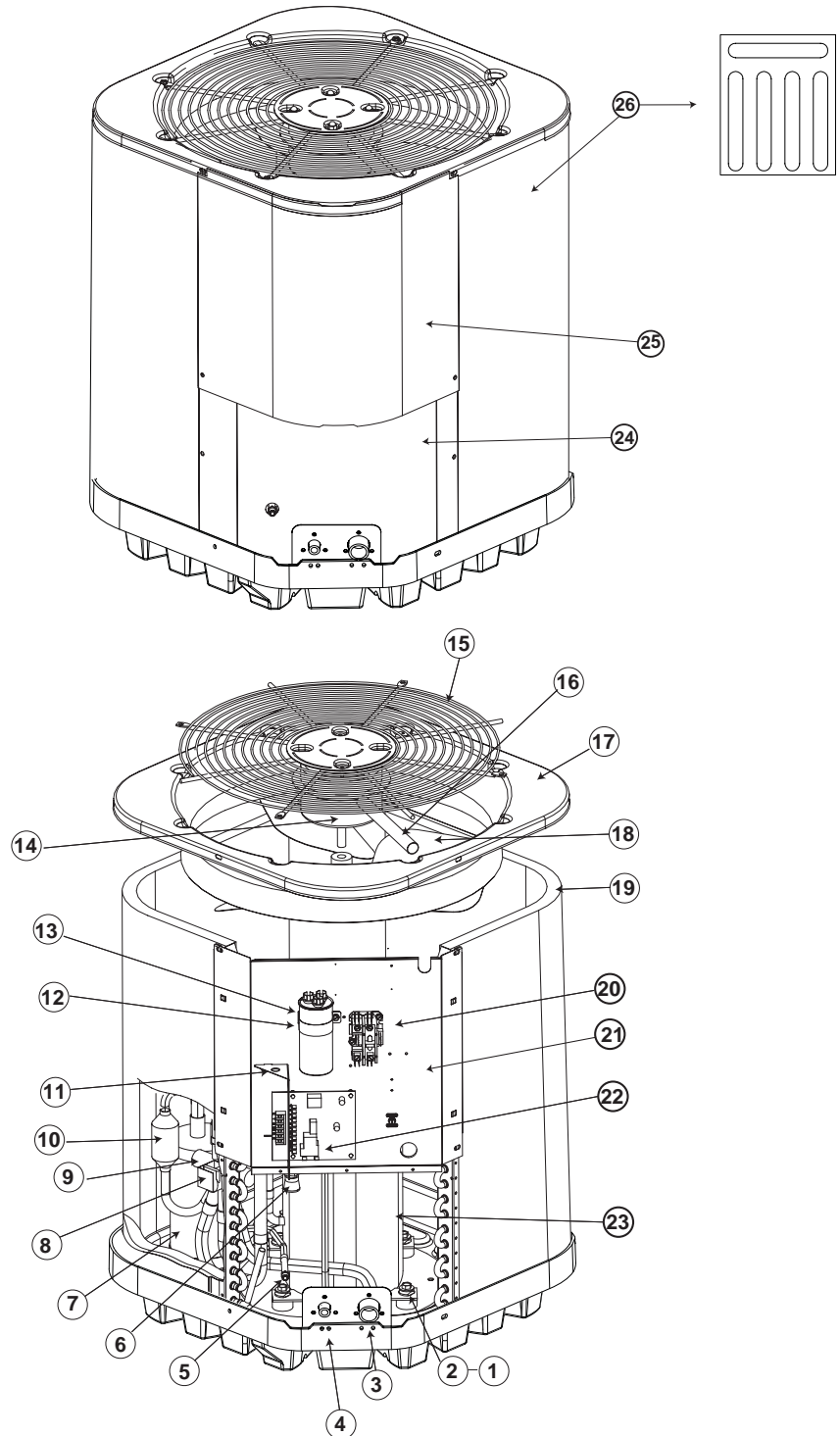
REPLACEMENT PARTS LIST

Manufactured Housing Split System Heat Pump

DT4QD Series

13 SEER Models

ITEM #	COMPONENT
1	Compressor Bolt
2	Compressor Grommet
3	Refrigerant Valve (LG)
4	Refrigerant Valve (SM)
5	Shrader Valve
6	Swivel Connector
7	Accumulator
8	Reversing Valve Coil
9	Reversing Valve
10	Muffler
11	Low Voltage Divider
12	Capactor Strap
13	Capacitor
14	Outdoor Fan Motor
15	Outdoor Fan Grille
16	Motor Wire Conduit
17	Top Pan </td
18	Outdoor Fan Blade
19	Outdoor Coil
20	Contactora
21	Control Box
22	Defrost Board
23	Compressor
24	Access Panel
25	Control Box Cover
26	Outdoor Coil Guard



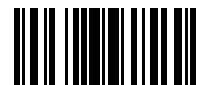
DT4QD Series Manufactured Housing Split System Heat Pump

COMPONENT	DT4QD-024KA	DT4QD-030KA	DT4QD-036KA	DT4QD-042K	DT4QD-048K	DT4QD-060K
	921676D	921677D	921678D	920685D	920686D	920687D
Access Panel	274014R	274015R	274016R	274015R	274016R	274016R
Accumulator	668853R	668853R	668794R	668854R	668854R	668854R
Capacitor	01-0083	01-0084	01-0085	01-0271	01-0278	01-0279
Capacitor Strap	258781	258781	258781	258780	258780	258780
Compensator Tank	—	—	—	669422	669422	669422
Compressor	921422	921425	921427	622584	622587	921468
Compressor Bolt	600426	600426	600426	600426	600426	600426
Compressor Grommet	668530	668530	668530	668530	668530	668530
Compressor Molded Plug	634660R	634660R	634660R	634660R	634660R	634660R
Contacto	624712	624712	624712	624712	624713	624714
Control Box	2B7881	2B7881	2B7881	2B7881	2B7881	2B7881
Control Box Cover	276921	276921	276921	276921	276921	276921
Crankcase Heater	632410	632410	632410	632410	632410	632410
Defrost Board	917178A	917178A	917178A	917178A	917178A	917178A
Defrost Sensor	626491R	626491R	626491R	626491R	626491R	626491R
Distributor	663579R	663579R	663581R	663582R	663582R	663582R
Filter Drier	669762	669762	669762	669762	669762	669762
High Pressure Switch	632473R	632473R	632473R	632473R	632473R	632473R
Low Voltage Divider	258791	258791	258791	258791	258791	258791
Motor Wire Conduit	664290	664290	664290	664290	664290	664290
Muffler	669546R	669546R	669546R	669546R	669546R	669546R
Outdoor Coil	499532RD	499533RD	2B6001RD	499535RD	2B6041RD	2B6041RD
Outdoor Coil Guard	275694	275695R	275696R	275695R	275696R	275696R
Outdoor Fan Blade	667383	667383	667383	667383	667383	667383
Outdoor Fan Grille	669202R	669202R	669202R	669202R	669202R	669202R
Outdoor Fan Motor	622080	622080	622080	622066	622066	622066
Outdoor Thermostat	626520R	626520R	626520R	626520R	626520R	626520R
Refrigerant Valve (LG)	664478	664478	664479	664479	664479	664479
Refrigerant Valve (SM)	664477	664477	664477	664477	664477	664477
Reversing Valve	669465R	669465R	M0079102	M0079102	M0079102	M0079102
Reversing Valve Coil	669470R	669470R	669937	669937	669937	669937
Schrader Fitting	664423	664423	664423	664423	664423	664423
Swivel Connector	664194R	664194R	664194R	664194R	664194R	664194R
Top Pan	496162	496162	496162	496162	496162	496162

Please specify Model No., Serial No., & the correct part number(s) when ordering parts from the nearest authorized dealer or service center.

To replace a restrictor for the outdoor or indoor unit, refer to the Quick Reference Data document that came with your unit to determine the size of the restrictor. The part number scheme for restrictors is "664" and three decimal places of the size of the restrictor. For example, a 0.042" restrictor part number would be 664042.

NORDYNE
COMPLETE COMFORT. GENUINE VALUE.



Specifications & illustrations subject to change without notice or incurring obligations.
O' Fallon MO | Printed in U.S.A (11/11)

708995B (Replaces 708995A)