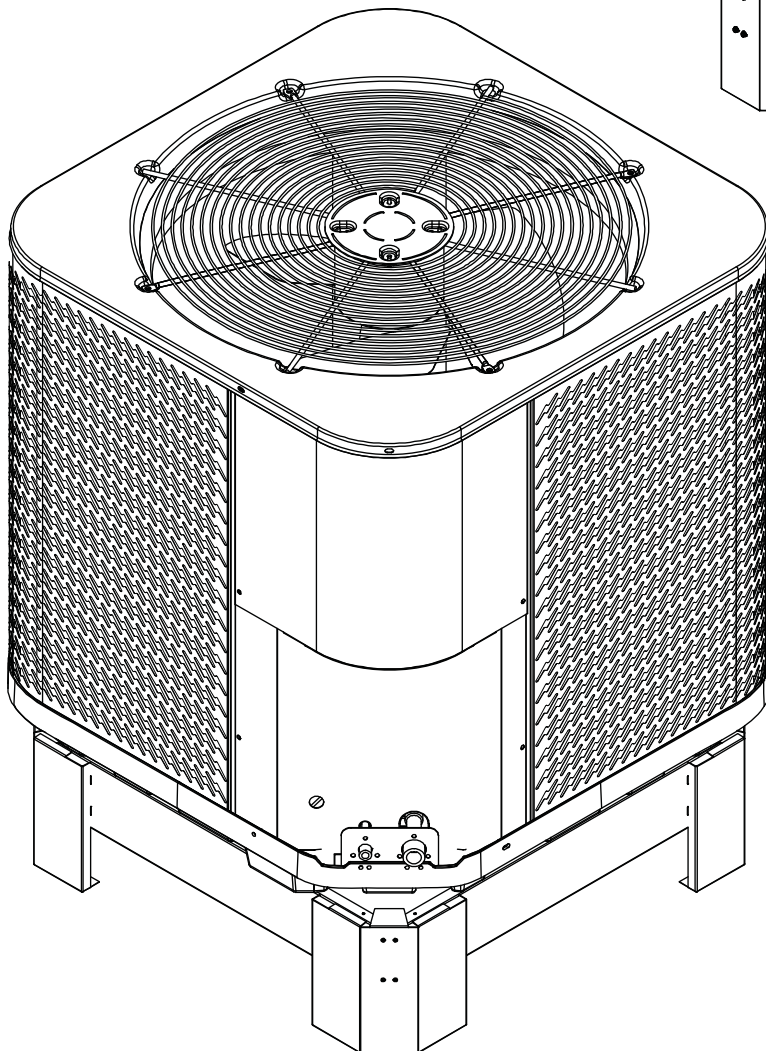


Snow Stand Kit

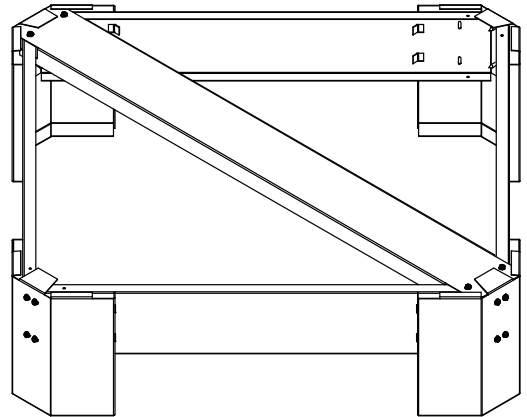
Installation Instructions

INTRODUCTION

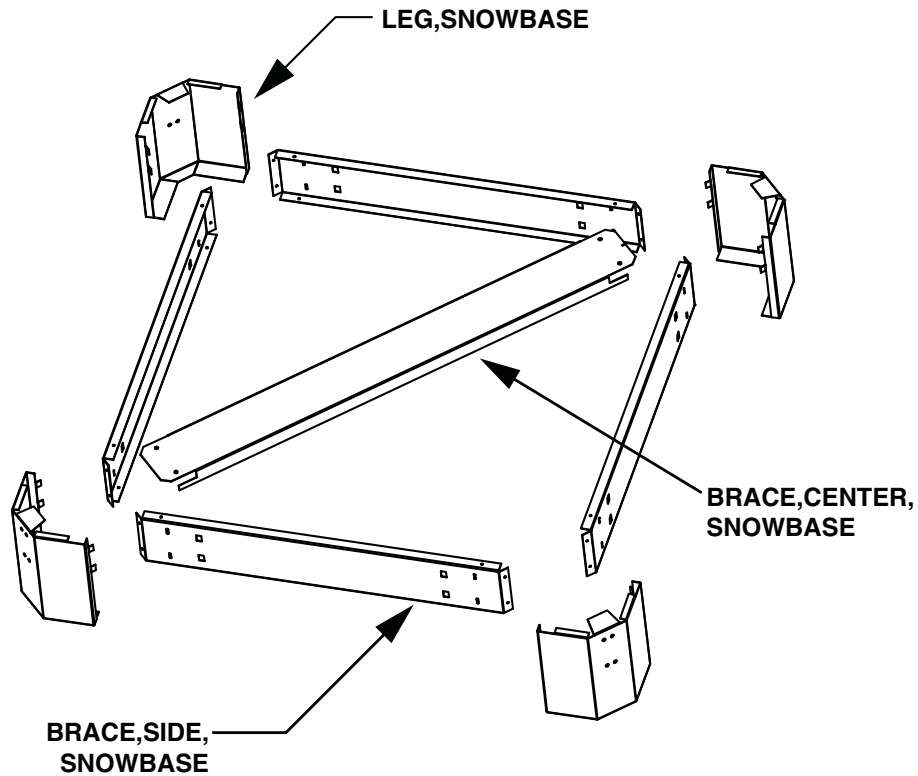
This Snowbase Kit contains four (4) Legs, four (4) Side Braces, and one (1) cross Center Brace, all made out of sheet metal and painted black. The purpose of this kit is to elevate the outdoor condensing heat pump unit off the ground to allow unrestricted air flow thru the coil. When assembled in accordance with these installation instructions, the assembly will support the weight of the condensing unit and lock it into place to restrict movement from side to side.



Unit Installation on Snowstand



Assembled Snowstand



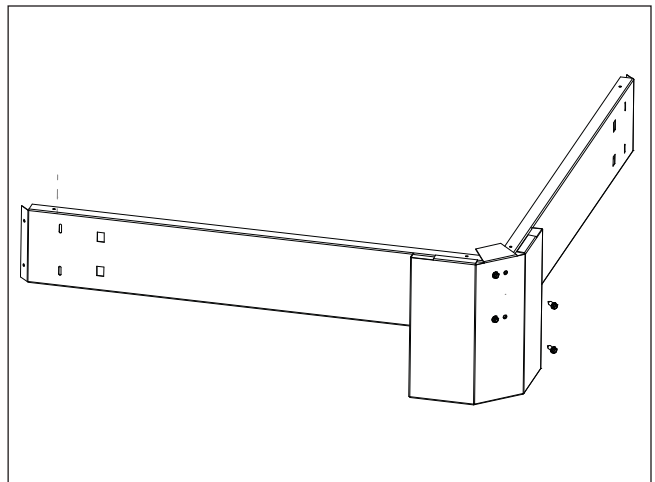
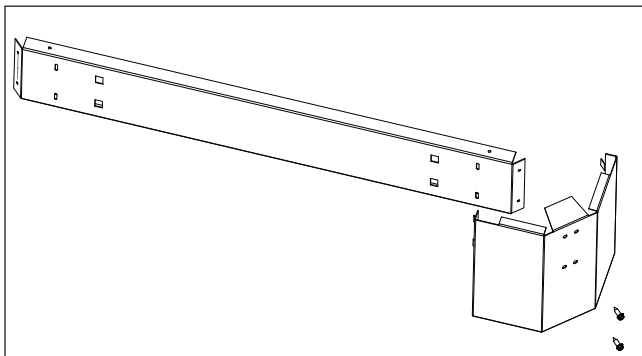
This Kit Includes:

- a. Installation Instructions – 709062
- b. Four (4) Legs – Part Number 664553
- c. Four (4) Side Braces – Part Number 664554
- d. One (1) Center Braces – Part Number 664555
- e. Twenty (20) Black Screws – Part Number 600442

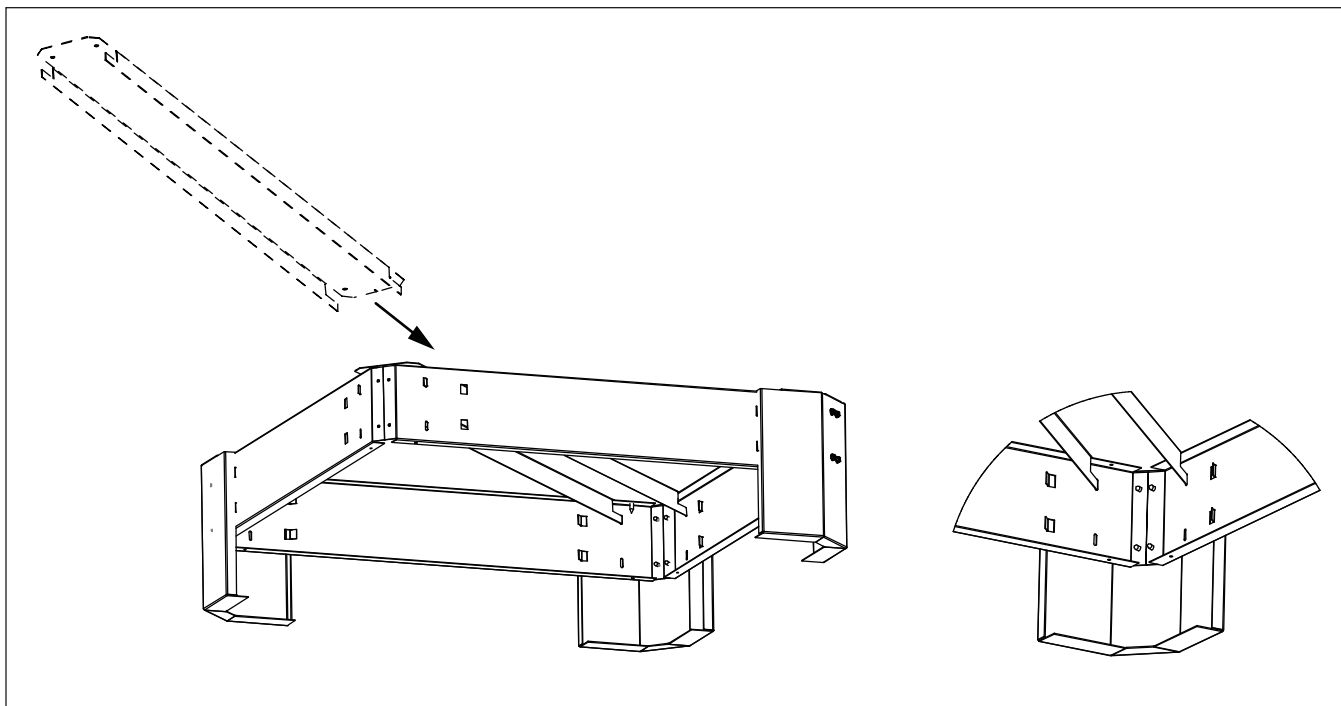
ASSEMBLY INSTRUCTIONS

1. Stand one Leg on its end and line up the holes with the holes at the end of one of the Side Braces. Insert the tabs on the sides of the Legs into the slots in the Side Braces. Using a screw gun with either a 5/16" hex bit or a flat head screwdriver bit, drive one screw per hole through the Leg and into the Side Brace.

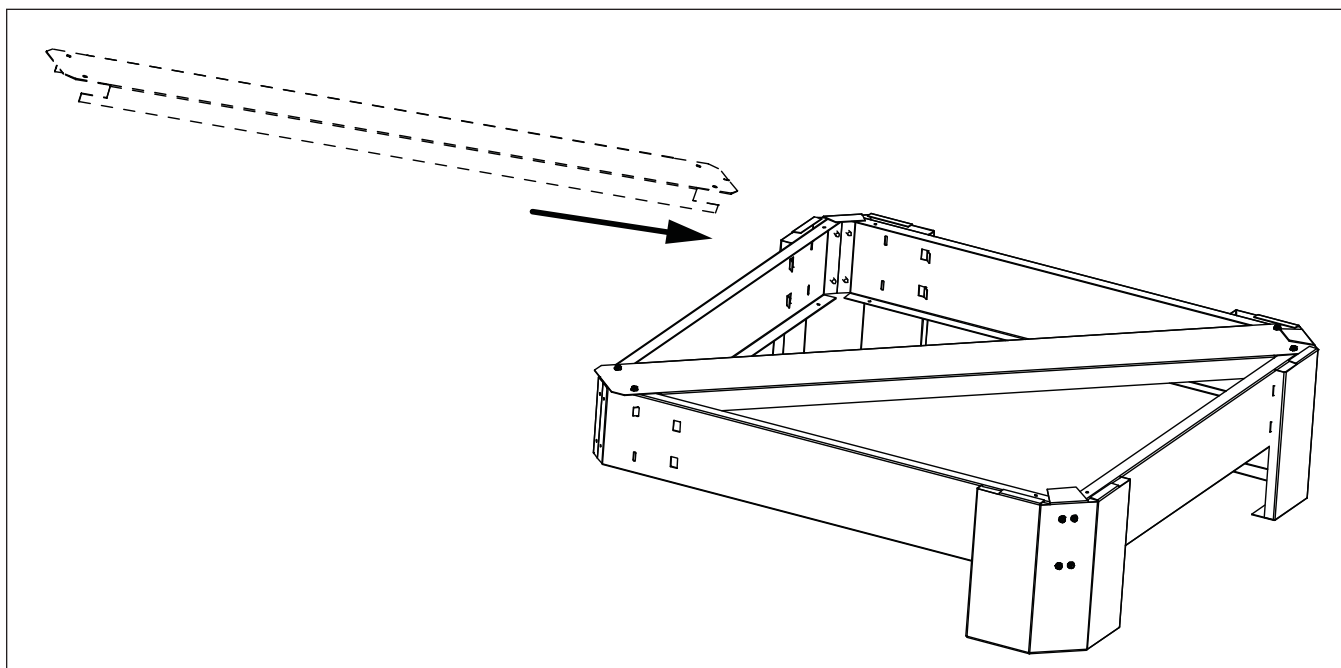
2. Using the same method as in Step 1, attach another Side Brace to the second set of holes on the Leg.



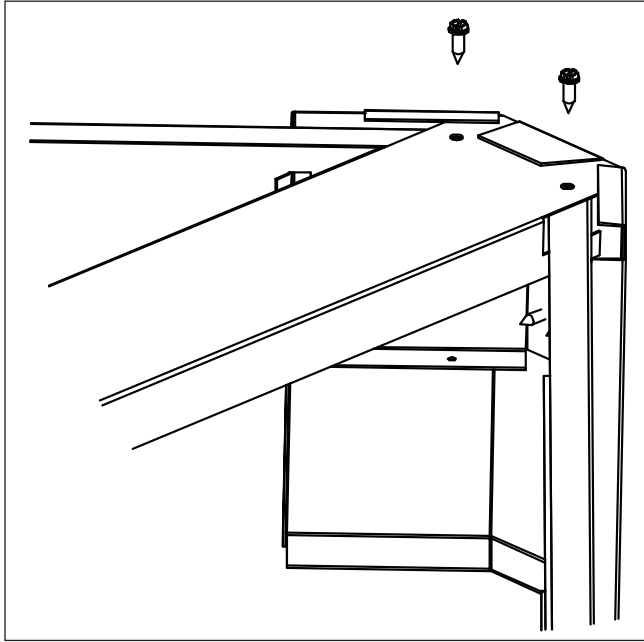
3. Repeat Steps 1 and 2, making your way around the assembly, until you have reached the last Leg. Do not attach the last Leg until the Center Brace is in place.



4. Slide the center Brace into the opposite Leg from the last Leg. Insert the tabs on the ends of the Center Brace into the remaining slots in the back side of the Side Braces. Also make sure the top of the Center Brace slides under the tabs on the top of the Legs.

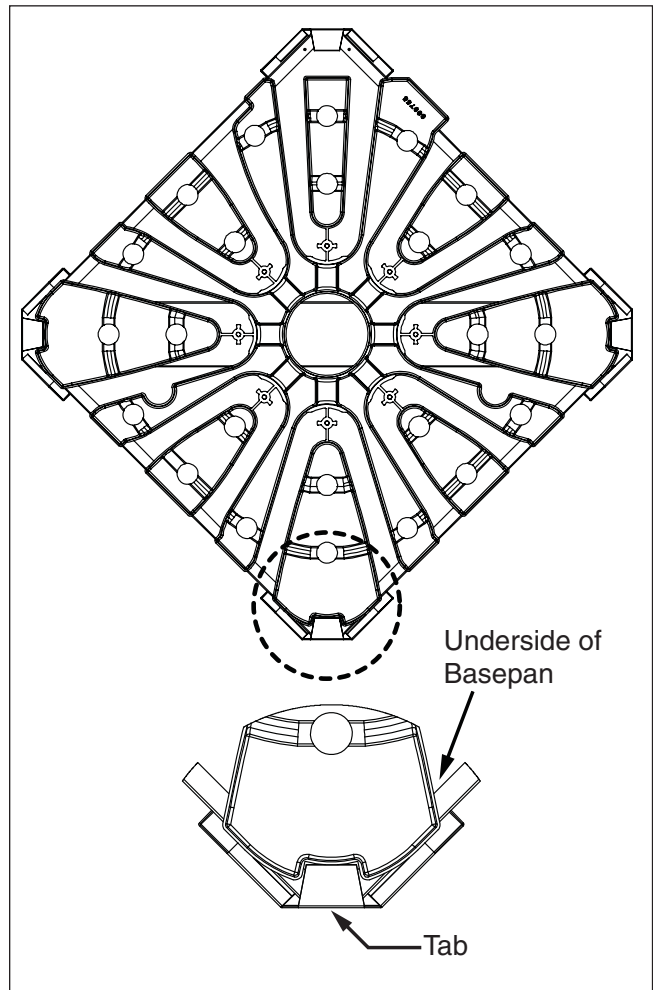


5. Slide the opposite end tabs of the Center Brace into the opposite Legs. Drive two screws into the top the Center Brace and through the holes in the top flange of the legs.
6. Position the fourth Leg into place, making sure the tabs of the Leg have slid into the slots in the Side Braces. Once in place, drive four screws into their respective side holes of the Leg.



UNIT INSTALLATION

1. Locate the Snowbase where the final installation of the condensing unit will be. Orient the Snowbase so that the valve corner of the condensing unit, when installed, will not sit on the Center Brace.
2. Lift the condensing unit to a level height above the Snowbase.
3. Position the condensing unit over the Snowbase. Lower the unit so that the tabs on the top of the Snowbase fit into the grooves on the underside of the composite base pan on the condensing unit. It will be fully installed when the unit will not rotate more than five degrees.



**INSTALLER: PLEASE LEAVE THESE INSTALLATION
INSTRUCTIONS WITH THE HOMEOWNER.**

