

REPLACEMENT PARTS LIST

Single Package Gas Heating / Electric Cooling
R6GF Series
15 SEER Models



Premium Model Shown

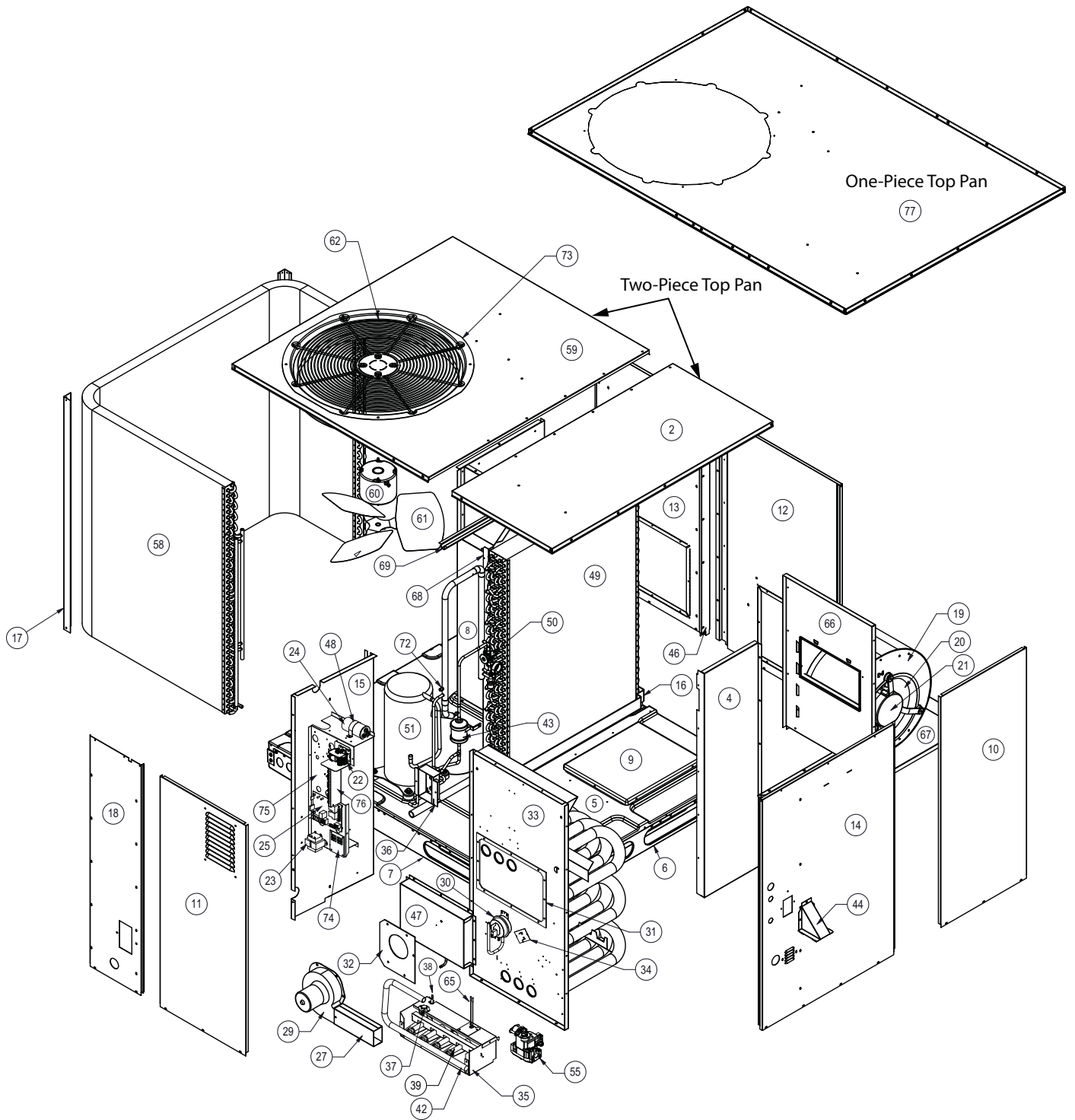
R6GF Series - Single Package Gas Heating / Electric Cooling

ITEM	DESCRIPTION	X24K072X	X36K100X	X48K120X	X60K120X
		921232	920905	920906	920907
1	ASSY, CAP, DUCT, HORIZONTAL (NOT SHOWN)	283101R	283101R	283101R	283101R
2	TOP PAN ASSY. - LEFT	293781R	293781R	293781R	293781R
3	CORE, CHARGING PORT (NOT SHOWN)	662103	662103	662103	662103
4	PANEL, HEAT EX. DIVIDER	D05072R	D05072R	D05074R	D05074R
5	BOTTOM PAN ASSY	D05480R	D05480R	D05480R	D05481R
6	RAIL, BASE, 47.23" LG	277551	277551	277551	277551
7	RAIL, BASE, 55.63" LG	277552	277552	277552	277552
8	DIVIDER PANEL ASSY	D05504R	D05504R	M0060704R	M0060704R
9	DUCT CAP ASSY.	D05530R	D05530R	D05530R	D05530R
10	BLOWER PANEL ASSY, 34"	D05542R	D05542R	-	-
	BLOWER PANEL ASSY, 42"	-	-	M0060705R	M0060705R
11	ASSY, SRV PNL, INSULATED, 34"	296638R	296638R	-	-
	ASSY, SRV PNL, INSULATED, 42"	-	-	M0060703R	M0060703R
12	SUPPLY PANEL ASSY	D05552R	D05552R	M0060706R	M0060706R
13	RETURN PANEL ASSY	D05565R	D05565R	M0060707R	M0060707R
14	CORNER PANEL ASSY, 34"	D05628R	D05628R	-	-
	CORNER PANEL ASSY, 42"	-	-	M0060708R	M0060708R
15	ASSY, CLOSE-OFF PANEL, 34"	D05691R	D05691R	-	-
	ASSY, CLOSE-OFF PANEL, 42"	-	-	M0060709R	M0060709R
16	PAN, DRAIN	669190	669190	669190	669190
17	POST, CORNER	D09996R	D09996R	2B1941BR	2B1941BR
18	PANEL, FRONT	D12462R	D12462R	298894R	298894R
19	BLOWER HSG ASSY, 9/10X10	297214R	297214R	-	-
	BLOWER HSG ASSY, 11X10	-	-	297219R	297219R
20	WHEEL, BLOWER 10 X 10	667207	667207	-	-
	WHEEL, BLOWER 11 X 10	-	-	667260	667260
21	MTR, VS PROG, R4, 1/2HP, 14SEER	M0018206R	-	-	-
	MTR, VS PROG, R4, 1HP, 14SEER	-	-	M0018208R	M0018208R
	MTR, VS, PROG, R6, 1/2HP, 14SEER	-	M0018212R	-	-
22	CONTACTOR	624712	624712	624713	624713
23	TRNSFRM, 208/240/24V, 60VA, 60HZ	-	-	-	622335
	TRNSFRM, 208/240/24V, 40VA, 60HZ	622336	622336	622336	-
24	CAPAC, RUN 35/7.5/370-RND-MTL	620762	-	-	-
	CAPAC, RUN 40/7.5/370-RND-MTL	-	620888	-	-
	CAPAC, RUN 45/7.5/370-RND-MTL	-	-	621153	-
	CAPAC, RUN 80/7.5/370-RND-MTL	-	-	-	621717
25	CONTROL, INTEGRATED, HSI	903106	903106	903106	903106
26	PLUG, MOLDED, L, 2-STAGE, .(NOT SHOWN)	634682	634682	634682	634682
27	EXHAUST DUCT ASSY.	263420R	263420R	263420R	263420R
28	TOUCH UP PAINT, GREY (NOT SHOWN)	903598	903598	903598	903598
29	INDUCER MOTOR	903162	903162	903162	903162
30	SWITCH, PRESSURE,NO,1.20	632422	632422	632422	632422
31	GASKET, COLLECTOR PAN	689506	689506	689506	689506
32	GASKET, INDUCER MOTOR MOUNTING	689518	689518	689518	689518
33	HEAT EXCH. PANEL ASSY	M0002536R	293332R	M0042501R	M0042501R
34	SWITCH, LIMIT (170/120)	626423	-	-	-
	SWITCH, LIMIT (140/120)	-	626446	-	-
	SWITCH, LIMIT (165/145)	-	-	626432	626432
35	BURNER ASSY, 2-STAGE VLV, 3 TUBE	293321			
	BURNER ASSY, 2-STAGE VLV, 5 TUBE		293323	293322	293322
36	BRACKET, EXT. SERV PT, HI-FLOW	298551R	298551R	298551R	298551R
37	LIMIT, ROLLOUT 320° F	626547	626547	626547	626547
38	SENSOR, FLAME	632396	632396	632396	632396

R6GF Series - Single Package Gas Heating / Electric Cooling

ITEM	DESCRIPTION	X24K072X	X36K100X	X48K120X	X60K120X
		921232	920905	920906	920907
39	BURNER, INSHOT	660812	660812	660812	660812
40	REPL. HAIL GUARD KIT (NOT SHOWN)	921213	921213	921213	921213
41	ORIFICE, MAIN BURNER, #43 DRILL (NOT SHOWN)	661043	-	661043	661043
	ORIFICE, MAIN BURNER, #45 DRILL (NOT SHOWN)	-	661045	-	-
42	MANIFOLD, GAS	664303	664305	664305	664305
43	DRIER, FILTER, UNIFLOW, 8 IN^3	669764	669764	669764	669764
44	COVER, VENT	265040R	265040R	265040R	265040R
45	PANEL, WEATHER (NOT SHOWN)	263880	263880	263880	263880
46	SUPPORT, COIL	263394	263394	263396	263396
47	PAN, COLLECTOR ASSY	D10329	D10323	D10324	D10324
48	CAPACITOR STRAP	258781	258781	258780	258780
49	COIL, INDOOR	D13001R	D13001R	2B1961R	2B4001R
50	THERMAL EXPANSION VALVE	664343	664349	664350	664350
51	COMP, COPE, ZPS20K4E-PFV	920334	-	-	-
	COMP, COPE, ZPS30K4E-PFV	-	920335	-	-
	COMP, COPE, ZPS40K4E-PFV	-	-	920336	-
	COMP, COPE, ZPS49K4E-PFV	-	-	-	920337
52	SWITCH, HIGH PRESS. - AUTO RESET (NOT SHOWN)	632401	632401	632401	632401
53	PORT, HI FLOW, 3/8" R-410, A STYL (NOT SHOWN)	664329	664329	664329	664329
54	CORE, PORT, HI, FLOW, BRASS (NOT SHOWN)	664331	664331	664331	664331
55	VALVE, GAS, 2-STAGE, H.W.	624652	624652	624652	624652
56	GROMMET, COMPRESSOR, SCROLL (NOT SHOWN)	668530	668530	668530	668530
57	COMPRESSOR SOUND BLANKET (NOT SHOWN)	689792	689792	689792	689793
58	COIL, OUTDOOR	2B6591R	287071R	2B1971R	2B2001R
59	INSULATED TOP RIGHT PAN ASSY	M0034707R	M0034707R	M0034707R	M0007286R
60	MOTOR, OUTDOOR FAN	622171	621990	621990	621990
61	FAN, BLADE	667351	667351	667319	667319
62	FAN, GRILLE, 24"	669335	669335	669335	669335
63	GUARD, COIL (FORMED) (NOT SHOWN)	2A8453R	2A8453R	2B4611R	2B4871R
64	COMPRESSOR BOLTS (NOT SHOWN)	600400	600400	600400	600400
65	IGNITOR	903179	903179	903179	903179
66	PANEL, BLOWER DISCHARGE	281493	281493	281495	281495
67	BLOWER SHELF	283932	283932	283932	283932
68	DIVIDER PANEL BRACKET	2B1891	2B1891	2B1891	2B1891
69	CHANNEL, DRAIN (N/A WITH 1 PIECE TOP PAN)	279722	279722	279722	279722
71	SWITCH, LOW PRESSURE (NOT SHOWN)	632393	632393	632393	632393
72	ACCESS FITTING	663812	663812	663812	663812
73	FAN ORIFICE	295481	295481	295481	295481
74	VARIABLE SPEED BOARD, PCB	624620	624620	624620	624620
75	CONTROL BRACKET	298591	298591	298591	298591
76	TERMINAL BOARD	632475	632475	632475	632475
77	ONE-PIECE TOP PAN	M0034722	M0034722	M0034722	M0034723

Please specify Model No., Serial No, and the correct part number(s) when ordering parts from the nearest authorized dealer or service center.



NORDYNE
 COMPLETE COMFORT. GENUINE VALUE.

Specifications & illustrations subject to change without notice or incurring obligations.
 O' Fallon, MO | Printed in U.S.A. (10/10)



709140A (Replaces 7091400)