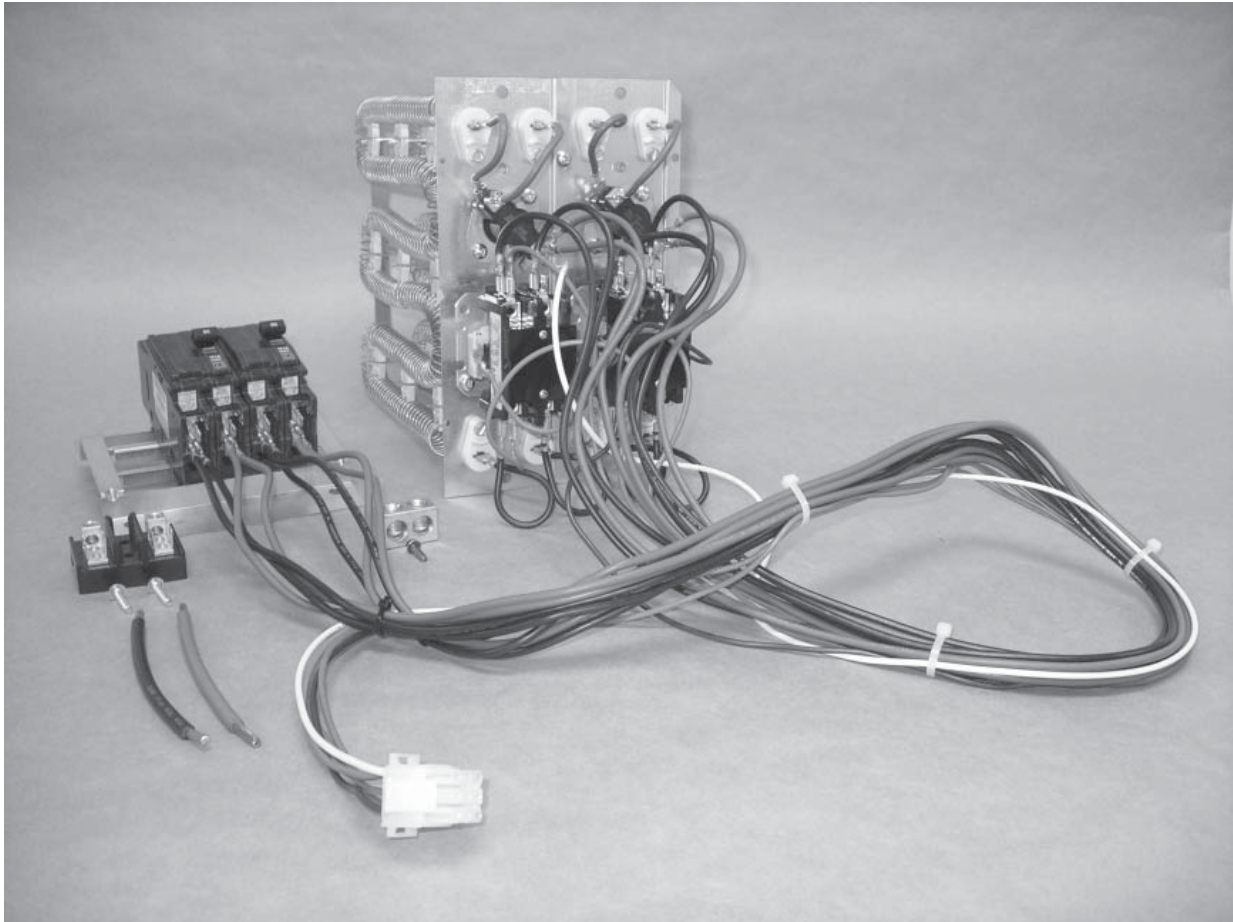


H3HK Series

INSTALLATION INSTRUCTIONS

Package Electric Heater Kits

Installation of H3HK Heater Kits (208/240V & 460V) in Packaged Air Conditioners & Packaged Heat Pumps.



IMPORTANT

These instructions are primarily intended to assist qualified individuals experienced in the proper installation of heating and/or air conditioning appliances. Some local codes require licensed installation/service personnel for this type equipment. All installations must be in accordance with these instructions and with all applicable national and local codes and standards.

Read these instructions thoroughly before starting the installation. Follow all precautions and warnings contained within these instructions and on the unit.

**DO NOT DESTROY. PLEASE READ CAREFULLY &
KEEP IN A SAFE PLACE FOR FUTURE REFERENCE.**

TABLE OF CONTENTS

IMPORTANT SAFETY INFORMATION	2	Blower Data.....	27
CLEARANCES	2	Table 21. P5RD Series - Single Phase.....	27
GENERAL INFORMATION	2	Table 22. P5RF Series - Small Pack	27
ELECTRICAL SUPPLY	3	Table 23. P6SD Series - Single Phase.....	28
Installation	3	Table 24. P6SD Series - 3 Phase.....	28
Circuit Options.....	3	Table 25. Q4SE Series - Min. Elec. Heat Airflow ..	28
Circuit Breakers	3	Table 26. Q5RD Series - Small Pack.....	29
Breaker Attachment	4	Table 27. Q5RF Series - Small Pack.....	30
Attaching to Bracket.....	4	Table 28. Q6SD Series - Single Phase	31
Breaker Removal	4	Table 29. Q6SD Series - 3 Phase	32
Single Circuit Kit	4		
Terminal Blocks	4		
Staged Heat	4		
Element Installation	4		
Element Power Wiring	4		
AIRFLOW	4		
FIGURES & TABLES	5		
Fig. 2. Component Locations.....	5		
Fig. 3. Element Support Bracket.....	5		
Heater Kit Cross References.....	6		
Table 3. P5RD & P5RF - 13 & 15 SEER.	6		
Table 4. P6SD - 13 SEER	6		
Table 5. Q4SE - 14 SEER	7		
Table 6. Q5RD & Q5RF - 13 & 15 SEER.....	7		
Table 7. Q6SD - 13 SEER	8		
Electrical Data	9		
Table 8. P5RD - 2, 2.5, & 3 Ton Units.....	9		
Table 9. P5RD - 3.5, 4, & 5 Ton Units.....	9		
Table 10. P5RF - 2, 3, 4, & 5 Ton Units	10		
Table 11. P6SD - 208/230v Single Phase	11		
Table 12. P6SD - 208/230v 3-Phase	11		
Table 13. P6SD - 460v 3-Phase	11		
Table 14. Q4SE - 2, 3, 4, & 5 Ton Units.....	12		
Table 15. Q5RD - 2 & 2.5 Ton Units	13		
Table 16. Q5RD - 3, 3.5, 4, & 5 Ton Units	13		
Table 17. Q5RF - 3, 3.5, 4, & 5 Ton Units.....	14		
Table 18. Q6SD - 208/230v Single Phase.....	15		
Table 19. Q6SD - 208/230v 3-Phase.....	16		
Table 20. Q6SD - 460v 3-Phase.....	16		
Wiring Diagrams.....	17		
#1 - Single Ph. - 5, 8, or 10kW - 1 Circuit	17		
#2 - Single Ph. - 5, 8, or 10kW - 2 Circuit	18		
#3 - Single Ph. - 15kW - 2 Circuit (AC appl.)	19		
#4 - Single Ph. - 15kW - 2 Circuit (HP appl.)	20		
#5 - Single Ph. 15kW - 3 Circuit	21		
#6 - Single Ph. 20kW - 2 Circuit	22		
#7 - Single Ph. 20kW - 3 Circuit	23		
#8 - 3 Ph. 208/230V 9kW or 15kW - 1 Circ.	24		
#9 - 3 Ph. 208/230V 9kW or 15kW - 2 Circ.	25		
#10 - 3 Ph. 460V 9kW or 15kW - 1 Circuit	26		

IMPORTANT SAFETY INFORMATION

INSTALLER: Please read all instructions before servicing this equipment. Pay attention to all safety warnings and any other special notes highlighted in the manual. Safety markings are used frequently throughout this manual to designate a degree or level of seriousness and should not be ignored. **WARNING** indicates a potentially hazardous situation that if not avoided, could result in personal injury or death. **CAUTION** indicates a potentially hazardous situation that if not avoided, may result in minor or moderate injury or property damage.

WARNING:

ELECTRICAL SHOCK, FIRE OR EXPLOSION HAZARD

Failure to follow safety warnings exactly could result in serious injury or property damage.

Improper servicing could result in dangerous operation, serious injury, death or property damage.

- **Before servicing, disconnect all electrical power to air handler.**
- **When servicing controls, label all wires prior to disconnecting. Reconnect wires correctly.**
- **Verify proper operation after servicing.**

CLEARANCES

All units are approved for zero clearance to combustibles when installed according to these instructions and other instructions included with the unit and other approved accessories.

GENERAL INFORMATION

The H3HK Heater Kits are approved for use in the Packaged Air Conditioners and Packaged Heat Pumps when applied and installed according to these instructions. See Tables 3 - 7 (pages 6 - 8) for the approved H3HK air conditioner combinations and the approved H3HK heat pump combinations. Refer to the National Electric Code (ANSI/NFPA 70) or in Canada the Canadian Electric Code Part 1 (CSA C.22.1) and applicable local codes for overcurrent protection and disconnect requirements.

ELECTRICAL SUPPLY

If the unit was previously installed without electric heat, the existing supply wiring may not be sufficient to handle the increased load. See the unit rating label or Tables 8 - 20 (pages 9 - 16) for minimum circuit ampacities and maximum overcurrent protection ratings. The units with installed electric heat may be supplied by a single circuit or by multiple circuits. Additional accessory kits may be required if single circuit installation and/or circuit breakers are desired. See Figure 1 for kit identification and Table 1 for accessory descriptions and part numbers.

⚠ WARNING:

ELECTRICAL SHOCK, FIRE OR EXPLOSION HAZARD

Failure to follow safety warnings exactly could result in serious injury or property damage.

Improper servicing could result in dangerous operation, serious injury, death or property damage.

- **Before servicing, disconnect all electrical power to air handler.**
- **When servicing controls, label all wires prior to disconnecting. Reconnect wires correctly.**
- **Verify proper operation after servicing.**

Installation

Remove the control box access panel. Locate the 9 pin (12 pin for 3 phase kits) heater plug assembly and remove the jumper cap. Discard the jumper cap; it will not be used after installing the heater kits.

Circuit Options

The units with electric heat may be wired for single or multiple circuits and may have circuit breakers or terminal blocks. **NOTE:** Circuit breakers installed in the unit are for short-circuit protection of the internal wiring and to serve as a unit disconnect. The circuit breakers DO NOT provide overcurrent protection of the supply wiring.

- Whether or not circuit breakers are used in the units, overcurrent protection must be provided at the branch circuit distribution panel and sized as shown in Tables 8 - 20 (pages 9 - 16) or on the unit rating label and according to the National Electric Code, Canadian Electrical Code and applicable local codes.

HEATER KITS	DESCRIPTION	PART NUMBER
1 Phase 208/230v	H3HK005H-01A (5kw)	917166B
	H3HK008H-01A (8kw)	917167B
	H3HK010H-01A (10kw)	917168B
	H3HK015H-01A (15kw)	917169B
	H3HK015H-21A (15kw)	917172B
	H3HK020H-01A (20kw)	917170B
	H3HK020H-21A (20kw)	917173B
3 Phase 208/230v	H3HK-009Q-01A (9kw)	903854B
	H3HK-015Q-01A (15kw)	903855B
3 Phase 460v	H3HK-009S-01A (9kw)	903850B
	H3HK-015S-01A (15kw)	903851B
Accessories	4-Pole Single Circuit Adaptor*	913350
	6-Pole Single Circuit Adaptor*	913556
	Circuit Breaker, 1 Phase (2-Pole)	913554
	Circuit Breaker, 3 Phase (3-Pole)	913740

* Single phase models only

Table 1. Heater Kits & Accessories

In most cases the overcurrent protection specified on the unit rating label is less than the 60 amp rating of the circuit breakers used in the units. This is because the function of the overcurrent protection required at the distribution panel (field supplied) and the unit mounted breakers is different.

- When circuit breakers are used they must be used on all circuits. Refer to Tables 3 - 7 (pages 6 - 8) for the correct circuit breaker for the application.
- If the number of circuits listed in Tables 3 - 7 are more than 1, circuit breakers are required. If single circuit supply wiring is desired: Use the 4-pole circuit adapter kit (P/N 913350) when two 2-pole circuit breakers are used. If 3 circuit breakers are used, the 6-pole circuit adapter kit (P/N 913556) is required. The single circuit adapter kits are not applicable to 3-phase units.
- If circuit breakers are not being used, proceed to the Terminal Block section (page 4).

Circuit Breakers

If circuit breakers are used for any circuit, they must be used for all circuits. Use one breaker for each circuit. See Tables 3 - 7 (pages 6 - 8).

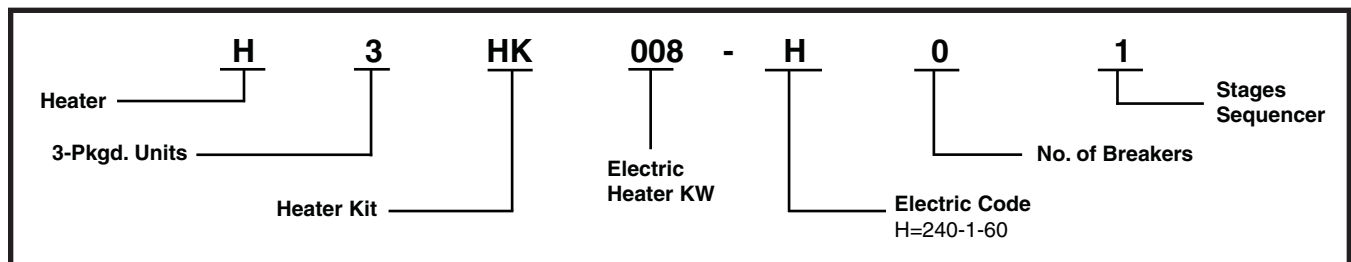


Figure 1. Heater Kit Identification Code

Breaker Attachment

Install the circuit breaker mounting rail to the control panel with the 4 blunt tip screws provided.

Attaching to Bracket

Attach the circuit breakers in the unit by hooking the bottom in the base of the circuit breaker onto the left rail of the bracket and rotating to the right. The circuit breaker should snap into place. Install the breakers so that the ON position is to the right. See Figure 2 (page 5) for component location.

Breaker Removal

Insert a screwdriver into the hole in the release tab and pull out while rotating the breaker out and to the left. The white release tab is located at the base of the breaker under the line side (right) terminals.

Single Circuit Kit (single phase only)

Refer to the instructions included with the single circuit adapter kit for details on how to configure the adapter. Install the adapter as shown in the instructions in the line side (right) of the breakers. Proceed to the Element Installation section.

Terminal Blocks

Approved H3HK heater kits are shipped with a terminal block for small package units. For large package units the terminal block(s) supplied with the kits will not be used. The electric heater kits will be wired to the existing factory installed terminal block. If the number of circuits indicated in Tables 3 - 7 (pages 6 - 8) is 2 or 3, then the circuit breakers must be used. See Circuit Breakers (page 3).

Staged Heat

To stage the heat on the 15 kw or 20 kw Heater Kits the factory set wiring will need to be modified. The orange wire in Pin 2 on the Heat Accessory Plug will be re-routed. See the Installation Instructions supplied with the HP or AC for typical thermostat connections.

WARNING:

Rooftop applications with vertical ducts must have an elbow installed in the supply duct so that the elements are not directly over a supply grille.

WARNING:

The heater will not function properly if the elements are not correctly installed.

Element Installation

Remove the blower access panel. Remove the heater close-off plate(s) in the electric heat panel. When installing single banks of heaters, position them closest to the blower.

Install the heater kit in the opening with the limit control towards the top of the unit if the unit is using the side supply and return duct openings. If the unit is using the

downshot supply and return openings, install the heater kit in the opening with the limit towards the bottom of the unit. See Figure 3 (page 5). **NOTE:** Make sure the element support rod is inserted into the support bracket. Fasten the heater with the same screws used to secure the close-off plates.

Element Power Wiring

Route the main power leads (heavy black & red wires) and the 9 or 12-pin heat plug through the access hole at the top of the control panel to the circuit breaker or terminal block. Connect the 9 or 12-pin heat kit plug to the heat accessory plug located in the control box. Refer to the detailed wiring diagrams (pages 17 - 26) for connections. Make sure that the connections are secure. Select large package units have additional terminal blocks installed. The power leads from the heater kit should be attached to these terminal blocks. Wires needed to connect from terminal blocks to circuit breakers should be field supplied. The 6 inch leads are provided with the heater kit to connect the circuit breaker(s) to the compressor contactor. Mark the appropriate box on the unit rating plate with an "X" to indicate which heater kit has been installed.

IMPORTANT: Torque the circuit breaker lugs to 45 in-lbs.

AIRFLOW

All heater kit temperature rise data in See Tables 21 - 29 (pages 27 - 32) have been calculated using 10kW heaters (9kW for 3 phase units). For other sized heater kits, use the following steps below to determine the heat rise for your particular heater kit.

1. Determine your CFM. **NOTE:** This data is found by locating your blower motor tap settings in the data supplied with the Installation Instructions. See Tables 21 - 29.
2. Locate your heater kits kW value and Btu/h in Table 2.
3. Input the values into the following equation:

$$\text{Temp Rise: } \Delta T = (\text{Btu/h}) / (\text{CFM} * 1.08)$$

NOTE: Generally the heat rise should be 30 - 40 degrees. Anything above 40 degrees should be avoided.

KW/h	Btu/h
5	17,060
8	27,297
9	30,709
10	34,121
15	51,182
20	68,242

Table 2. kW & Btu/h Ratings

FIGURES & TABLES

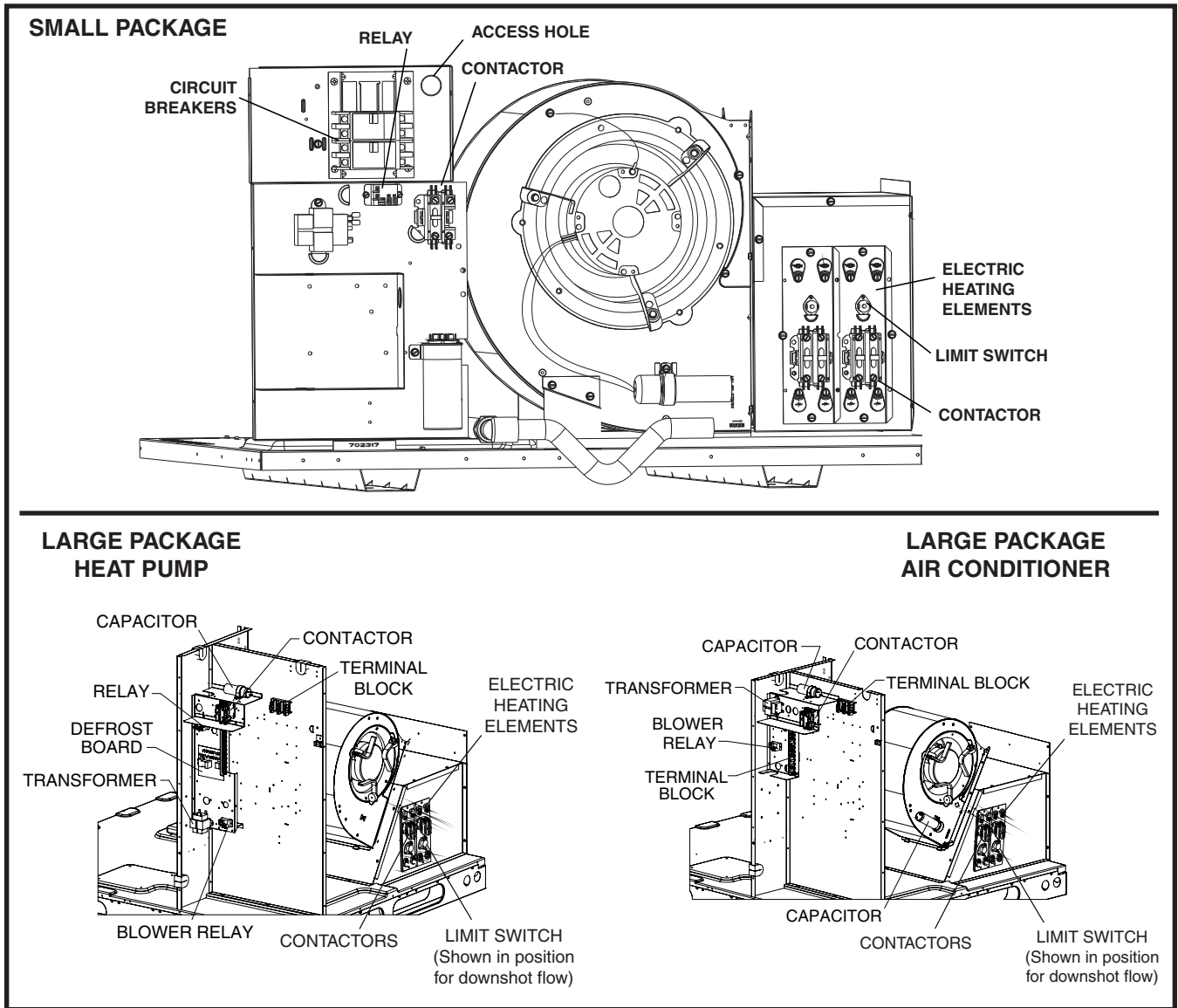


Figure 2. Location of Major Components

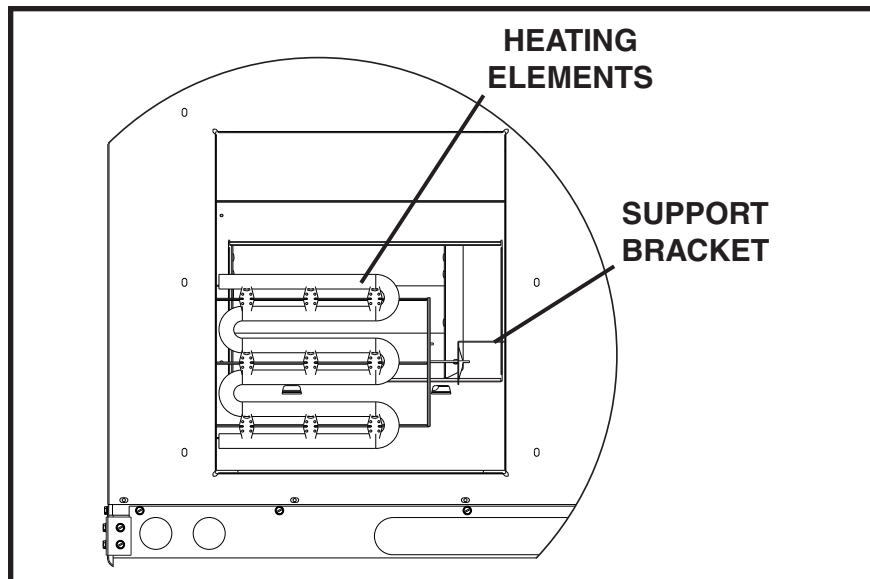


Figure 3. Element Support Bracket

HEATER KIT CROSS REFERENCES

TONNAGE SEER PHASE	UNIT	NOMINAL KW	HEATER KIT MODEL	HEATER KIT PART NUMBER	BREAKERS REQUIRED	WIRING DIAGRAM NUMBER
2 Ton 13 & 15 SEER Single Phase	P5RD, GP5RD, PPA2RD, P5RF, PPA2RF	5	H3HK005H-01B	917166B	None	1
		8	H3HK008H-01B	917167B	None	1
		10	H3HK010H-01B	917168B	None	1
2.5 Ton 13 SEER Single Phase	P5RD, GP5RD, PPA2RD	5	H3HK005H-01B	917166B	None	1
		8	H3HK008H-01B	917167B	None	1
		10	H3HK010H-01B	917168B	None	1
		15	H3HK015H-01B	917169B	2	3
3 Ton 13 & 15 SEER Single Phase	P5RD, GP5RD, PPA2RD P5RF, PPA2RF	5	H3HK005H-01B	917166B	None	1
		8	H3HK008H-01B	917167B	None	1
		10	H3HK010H-01B	917168B	None	1
		15	H3HK015H-01B	917169B	2	3
3.5 Ton 13 SEER Single Phase	P5RD, GP5RD, PPA2RD	5	H3HK005H-01B	917166B	None	1
		8	H3HK008H-01B	917167B	None	1
		10	H3HK010H-01B	917168B	None	1
		15	H3HK015H-01B	917169B	2	3
		20	H3HK020H-01B	917170B	2	6
4 Ton 13 & 15 SEER Single Phase	P5RD, GP5RD, PPA2RD P5RF, PPA2RF	5	H3HK005H-01B	917166B	None	1
		8	H3HK008H-01B	917167B	None	1
		10	H3HK010H-01B	917168B	None	1
		15	H3HK015H-01B	917169B	2	3
		20	H3HK020H-01B	917170B	2	6
5 Ton 13 & 15 SEER Single Phase	P5RD, GP5RD, PPA2RD P5RF, PPA2RF	5	H3HK005H-01B	917166B	None	1
		8	H3HK008H-01B	917167B	None	1
		10	H3HK010H-01B	917168B	None	1
		15	H3HK015H-01B	917169B	2	3
		20	H3HK020H-01B	917170B	2	6

Table 3. P5RD & P5RF Heater Kit Model Cross Reference (Air Conditioner)

TONNAGE & PHASE	UNIT	NOMINAL KW	HEATER KIT MODEL	HEATER KIT PART NUMBER	BREAKERS REQUIRED	WIRING DIAGRAM NUMBER
3 Ton, Single Phase	P6SD GP6SD PPA2SD	5	H3HK005H-01B	917166B	None	1
		8	H3HK008H-01B	917167B	None	1
		10	H3HK010H-01B	917168B	None	1
		15	H3HK015H-01B	917169B	2	3
4 Ton, Single Phase	P6SD GP6SD PPA2SD	5	H3HK005H-01B	917166B	None	1
		8	H3HK008H-01B	917167B	None	1
		10	H3HK010H-01B	917168B	None	1
		15	H3HK015H-01B	917169B	2	3
		20	H3HK020H-01B	917170B	2	6
5 Ton, Single Phase	P6SD GP6SD PPA2SD	5	H3HK005H-01B	917166B	None	1
		8	H3HK008H-01B	917167B	None	1
		10	H3HK010H-01B	917168B	2	2
		15	H3HK015H-01B	917169B	2	3
		20	H3HK020H-01B	917170B	3	7
3,4, & 5 TON 3 Phase 208/230V	P6SD	9	H3HK-009Q-01B	903854B	None	8
		15	H3HK-015Q-01B	903855B	None	8
3,4, & 5 TON 3 Phase 460V	P6SD	9	H3HK-009S-01B	903850B	None	10
		15	H3HK-015S-01B	903851B	None	10

Table 4. P6SD Heater Kit Model Cross Reference - 13 SEER

TONNAGE & PHASE	UNIT	NOMINAL KW	HEATER KIT MODEL	HEATER KIT PART NUMBER	BREAKERS REQUIRED	WIRING DIAGRAM NUMBER
2 Ton Single Phase	Q4SE PPH1SE	5	H3HK005H-01B	917166B	None	1
		8	H3HK008H-01B	917167B	None	1
		10	H3HK010H-01B	917168B	2	2
		15	H3HK015H-01B	917169B	2	2
3 Ton Single Phase	Q4SE PPH1SE	5	H3HK005H-01B	917166B	None	1
		8	H3HK008H-01B	917167B	2	2
		10	H3HK010H-01B	917168B	2	2
		15	H3HK015H-01B	917169B	2	2
4 Ton Single Phase	Q4SE PPH1SE	5	H3HK005H-01B	917166B	2	2
		8	H3HK008H-01B	917167B	2	2
		10	H3HK010H-01B	917168B	2	2
		15	H3HK015H-01B	917169B	3	5
		20	H3HK020H-01B	917170B	3	7
5 Ton Single Phase	Q4SE PPH1SE	5	H3HK005H-01B	917166B	2	2
		8	H3HK008H-01B	917167B	2	2
		10	H3HK010H-01B	917168B	2	2
		15	H3HK015H-01B	917169B	3	5
		20	H3HK020H-01B	917170B	3	7

Table 5. Q4SE Heater Kit Model Cross Reference - 14 SEER

TONNAGE, SEER, PHASE	UNIT	NOMINAL KW	HEATER KIT MODEL	HEATER KIT PART NUMBER	BREAKERS REQUIRED	WIRING DIAGRAM NUMBER
2 Ton 13 & 15 SEER Single Phase	Q5RD, GQ5RD, PPH2RD, Q5RF, PPH2RF	5	H3HK005H-01B	917166B	None	1
		8	H3HK008H-01B	917167B	None	1
		10	H3HK010H-01B	917168B	2	2
2.5 Ton 13 SEER Single Phase	Q5RD, GQ5RD, PPH2RD	5	H3HK005H-01B	917166B	None	1
		8	H3HK008H-01B	917167B	2	2
		10	H3HK010H-01B	917168B	2	2
		15	H3HK015H-01B	917169B	2	4
3 Ton 13 & 15 SEER Single Phase	Q5RD, GQ5RD, PPH2RD, Q5RF, PPH2RF	5	H3HK005H-01B	917166B	None	1
		8	H3HK008H-01B	917167B	2	2
		10	H3HK010H-01B	917168B	2	2
		15	H3HK015H-01B	917169B	2	4
3.5 Ton 13 SEER Single Phase	Q5RD, GQ5RD, PPH2RD	5	H3HK005H-01B	917166B	None	1
		8	H3HK008H-01B	917167B	2	2
		10	H3HK010H-01B	917168B	2	2
		15	H3HK015H-01B	917169B	2	4
		20	H3HK020H-01B	917170B	3	7
4 Ton 13 & 15 SEER Single Phase	Q5RD, GQ5RD, PPH2RD, Q5RF, PPH2RF	5	H3HK005H-01B	917166B	2	2
		8	H3HK008H-01B	917167B	2	2
		10	H3HK010H-01B	917168B	2	2
		15	H3HK015H-01B	917169B	2	4
		20	H3HK020H-01B	917170B	3	7
5 Ton 13 & 15 SEER Single Phase	Q5RD, GQ5RD, PPH2RD, Q5RF, PPH2RF	5	H3HK005H-01B	917166B	2	2
		8	H3HK008H-01B	917167B	2	2
		10	H3HK010H-01B	917168B	2	2
		15	H3HK015H-01B	917169B	2	4
		20	H3HK020H-01B	917170B	3	7

Table 6. Q5RD & Q5RF Heater Kit Model Cross Reference (Heat Pump)

TONNAGE & PHASE	UNIT	NOMINAL KW	HEATER KIT MODEL	HEATER KIT PART NUMBER	BREAKERS REQUIRED	WIRING DIAGRAM NUMBER
2 Ton Single Phase	Q6SD GQ6SD PPH2SDX	5	H3HK005H-01B	917166B	None	1
		8	H3HK008H-01B	917167B	2	2
		10	H3HK010H-01B	917168B	2	2
		15	H3HK015H-01B	917169B	3	5
2.5 Ton Single Phase	Q6SD GQ6SD PPH2SDX	5	H3HK005H-01B	917166B	None	1
		8	H3HK008H-01B	917167B	2	2
		10	H3HK010H-01B	917168B	2	2
		15	H3HK015H-01B	917169B	3	5
3 Ton Single Phase	Q6SD GQ6SD PPH2SDX	5	H3HK005H-01B	917166B	None	1
		8	H3HK008H-01B	917167B	2	2
		10	H3HK010H-01B	917168B	2	2
		15	H3HK015H-01B	917169B	3	5
3.5 Ton Single Phase	Q6SD GQ6SD PPH2SDX	5	H3HK005H-01B	917166B	2	2
		8	H3HK008H-01B	917167B	2	2
		10	H3HK010H-01B	917168B	2	2
		15	H3HK015H-01B	917169B	3	5
		20	H3HK020H-01B	917170B	3	7
4 Ton Single Phase	Q6SD GQ6SD PPH2SDX	5	H3HK005H-01B	917166B	2	2
		8	H3HK008H-01B	917167B	2	2
		10	H3HK010H-01B	917168B	2	2
		15	H3HK015H-01B	917169B	2	5
		20	H3HK020H-01B	917170B	3	7
5 Ton Single Phase	Q6SD GQ6SD PPH2SDX	5	H3HK005H-01B	917166B	2	2
		8	H3HK008H-01B	917167B	2	2
		10	H3HK010H-01B	917168B	2	2
		15	H3HK015H-01B	917169B	3	5
		20	H3HK020H-01B	917170B	3	7
3,4, & 5 TON 3 Phase 208/230V	Q6SD	9	H3HK-009Q-01B	903854B	None	8
		15	H3HK-015Q-01B	903855B	2	9
3,4, & 5 TON 3 Phase 460V	Q6SD	9	H3HK-009S-01B	903850B	None	10
		15	H3HK-015S-01B	903851B	None	10

Table 7. Q6SD Heater Kit Model Cross Reference - 13 SEER

ELECTRICAL DATA

P5RD SERIES - 208/230V - SINGLE PHASE MODELS										
MODEL P5RD-	HEATER KW	SINGLE CIRCUIT			MULTIPLE SUPPLY CIRCUIT OPTION					
		MCA	REC, WIRE GAGE (90° C CU)	MOP	CIRCUIT A (COMPRESSOR & FAN)			CIRCUIT B (BLOWER & HEATER)		
					MCA	REC, WIRE GAGE (90° C CU)	MOP	MCA	REC, WIRE GAGE (90° C CU)	MOP
024K	0	18.5	12	30	-	-	-	-	-	-
	5	26.8	10	30	-	-	-	-	-	-
	8	41.3	8	45	-	-	-	-	-	-
	10	51.8	8	60	-	-	-	-	-	-
030K	0	22.1	10	35	-	-	-	-	-	-
	5	26.8	10	35	-	-	-	-	-	-
	8	41.3	8	45	-	-	-	-	-	-
	10	51.8	8	60	-	-	-	-	-	-
	15	76.8	4	80	50	8	60	26.8	10	30
036K	0	26.5	10	45	-	-	-	-	-	-
	5	27.6	10	45	-	-	-	-	-	-
	8	42.2	8	45	-	-	-	-	-	-
	10	52.6	8	60	-	-	-	-	-	-
	15	77.6	4	80	50	8	60	27.6	10	30

NOTE: P5RD 2, 2.5 & 3 ton models have PSC motors. Since the power wires run through the heater plug, keep the blower and heater on different circuits when adding a heater kit.

Table 8. P5RD Electrical Data (2, 2.5, & 3 Ton Units)

P5RD SERIES - 208/230V - SINGLE PHASE MODELS										
MODEL P5RD-	HEATER KW	SINGLE CIRCUIT			MULTIPLE SUPPLY CIRCUIT OPTION					
		MCA	REC, WIRE GAGE (90° C CU)	MOP	CIRCUIT A (COMPRESSOR, BLOWER, & FAN)			CIRCUIT B (HEATER)		
					MCA	REC, WIRE GAGE (90° C CU)	MOP	MCA	REC, WIRE GAGE (90° C CU)	MOP
042K	0	32.9	8	50	-	-	-	-	-	-
	5	32.9	8	50	-	-	-	-	-	-
	8	41.1	8	50	-	-	-	-	-	-
	10	51.5	8	60	-	-	-	-	-	-
	15	76.5	4	80	51.5	8	60	25	10	30
	20	101.5	3	110	51.5	8	60	50	8	60
048K	0	37.6	8	60	-	-	-	-	-	-
	5	37.6	8	60	-	-	-	-	-	-
	8	41.1	8	60	-	-	-	-	-	-
	10	51.5	8	60	-	-	-	-	-	-
	15	76.5	4	80	51.5	8	60	25	10	30
	20	101.5	3	110	51.5	8	60	50	8	60
060K	0	44	8	70	-	-	-	-	-	-
	5	44	8	70	-	-	-	-	-	-
	8	44	8	70	-	-	-	-	-	-
	10	51.5	8	70	-	-	-	-	-	-
	15	76.5	4	80	51.5	8	70	25	10	30
	20	101.5	3	110	51.5	8	70	50	8	60

Table 9. P5RD Electrical Data (3.5, 4, & 5 Ton Units)

P5RF SERIES - 208/230V - SINGLE PHASE MODELS										
MODEL P5RF-	HEATER KW	SINGLE CIRCUIT			MULTIPLE SUPPLY CIRCUIT OPTION					
		MCA	REC, WIRE GAGE (90°C CU)	MOP	CIRCUIT A (COMPRESSOR, BLOWER, & FAN)			CIRCUIT B (HEATER)		
					MCA	REC, WIRE GAGE (90°C CU)	MOP	MCA	REC, WIRE GAGE (90°C CU)	MOP
X24K	0	18.1	12	25	-	-	-	-	-	-
	5	26.5	10	30	-	-	-	-	-	-
	8	41.1	8	45	-	-	-	-	-	-
	10	51.5	8	60	-	-	-	-	-	-
X36K	0	26.1	10	40	-	-	-	-	-	-
	5	26.5	10	40	-	-	-	-	-	-
	8	41.1	8	45	-	-	-	-	-	-
	10	51.5	8	60	-	-	-	-	-	-
	15	76.5	4	80	51.5	8	60	25	10	30
X48K	0	37.7	8	50	-	-	-	-	-	-
	5	37.7	8	50	-	-	-	-	-	-
	8	46.2	8	50	-	-	-	-	-	-
	10	56.6	6	60	-	-	-	-	-	-
	15	81.6	4	90	56.6	6	60	25	10	30
	20	106.6	3	110	56.6	6	60	50	8	60
X60K	0	40.1	8	60	-	-	-	-	-	-
	5	40.1	8	60	-	-	-	-	-	-
	8	46.2	8	60	-	-	-	-	-	-
	10	56.6	6	60	-	-	-	-	-	-
	15	81.6	4	90	56.6	6	60	25	10	30
	20	106.6	3	110	56.6	6	60	50	8	60

Table 10. P5RF Electrical Data (2, 3, 4, & 5 Ton Units)

P6SD SERIES - 208/230V - SINGLE PHASE MODELS											
MODEL NUMBER P6SD-	HEATER INSTALLED NOMINAL KW	SINGLE CIRCUIT			MULTIPLE SUPPLY CIRCUIT OPTION						
		MCA	REC, WIRE GAGE (90° C CU)	MOP	CIRCUIT A (COMPRESSOR & FAN)			CIRCUIT B (BLOWER & HEATER)			
					MCA	REC, WIRE GAGE (90° C CU)	MOP	MCA	REC, WIRE GAGE (90° C CU)	MOP	
X36K	0	25.8	10	40	-	-	-	-	-	-	-
	5	26.5	10	40	-	-	-	-	-	-	-
	8	41.2	8	45	-	-	-	-	-	-	-
	10	51.6	8	60	-	-	-	-	-	-	-
	15	76.6	4	80	50.0	8	60	26.6	10	30	
X48K	0	32.9	8	50	-	-	-	-	-	-	-
	5	32.9	8	50	-	-	-	-	-	-	-
	8	41.2	8	50	-	-	-	-	-	-	-
	10	51.6	8	60	-	-	-	-	-	-	-
	15	76.6	4	80	51.6	8	50	26.6	10	30	
	20	101.6	3	110	50	8	50	51.6	8	60	

MODEL NUMBER P6SD-	HEATER INSTALLED NOMINAL KW	SINGLE CIRCUIT			MULTIPLE SUPPLY CIRCUIT OPTION									
		MCA	REC, WIRE GAGE (90° C CU)	MOP	CIRCUIT A (COMPRESSOR, BLOWER, & FAN)			CIRCUIT B (HEATER ONLY)			CIRCUIT C (HEATER ONLY)			
					MCA	REC, WIRE GAGE (90° C CU)	MOP	MCA	REC, WIRE GAGE (90° C CU)	MOP	MCA	REC, WIRE GAGE (90° C CU)	MOP	
X60K	0	43.8	8	70	-	-	-	-	-	-	-	-	-	-
	5	43.8	8	70	-	-	-	-	-	-	-	-	-	-
	8	43.8	8	70	-	-	-	-	-	-	-	-	-	-
	10	51.5	8	70	43.8	8	70	50	8	60	-	-	-	-
	15	76.5	4	80	51.5	8	70	25	10	30	-	-	-	-
	20	101.5	3	110	43.8	8	70	50	8	60	50	8	60	

NOTE: P6SD 3 & 4 ton models have PSC motors. Since the power wires run through the heater plug, keep the blower and heater on different circuits when adding a heater kit.

Table 11. P6SD Electrical Data (3, 4, & 5 Ton Units)

P6SD SERIES - 208/230V - 3 PHASE MODELS				
MODEL NUMBER P6SD-	HEATER INSTALLED NOMINAL KW	SINGLE CIRCUIT		
		MCA	REC, WIRE GAGE (90° C CU)	MOP
X36C	0	17.0	12	25
	9	28.7	10	30
	15	46.8	8	50
X48C	0	21.6	10	35
	9	28.7	10	35
	15	46.8	8	50
X60C	0	29	10	45
	9	29	10	45
	15	46.7	8	50

NOTE: P6SD 3 & 4 ton models have PSC motors. Since the power wires run through the heater plug, keep the blower and heater on different circuits when adding a heater kit.

Table 12. P6SD Electrical Data (3, 4, & 5 Ton Units)

P6SD SERIES - 460V - 3 PHASE MODELS				
MODEL NUMBER P6SD-	HEATER INSTALLED NOMINAL KW	SINGLE CIRCUIT		
		MCA	REC, WIRE GAGE (90° C CU)	MOP
X36D	0	9.4	14	15
	9	15.1	12	15
	15	24.5	10	25
X48D	0	10.9	14	15
	9	16.2	12	15
	15	25.7	10	30
X60D	0	14.6	14	15
	9	14.9	14	15
	15	24.3	10	25

NOTE: P6SD 3 & 4 ton models have PSC motors. Since the power wires run through the heater plug, keep the blower and heater on different circuits when adding a heater kit.

Table 13. P6SD Electrical Data (460v 3 Phase Models)

Q4SE SERIES - 208/230V - SINGLE PHASE MODELS

MODEL NUMBER Q4SE-	HEATER KW	SINGLE CIRCUIT			MULTIPLE SUPPLY CIRCUIT OPTION								
		MCA	REC, WIRE GAGE (90° C CU)	MOP	CIRCUIT A (COMPRESSOR, BLOWER & FAN)			CIRCUIT B (HEATER ONLY)			CIRCUIT C (HEATER ONLY)		
					MCA	REC, WIRE GAGE (90° C CU)	MOP	MCA	REC, WIRE GAGE (90° C CU)	MOP	MCA	REC, WIRE GAGE (90° C CU)	MOP
X24K	0	20	12	30	-	-	-	-	-	-	-	-	-
	5	45	8	50	-	-	-	-	-	-	-	-	-
	8	59.5	6	60	-	-	-	-	-	-	-	-	-
	10	70	6	70	20	12	30	50	8	60	-	-	-
	15	95.0	4	100	45	8	50	50	8	60	-	-	-
X36K	0	29.3	10	45	-	-	-	-	-	-	-	-	-
	5	54.3	8	60	-	-	-	-	-	-	-	-	-
	8	68.8	6	70	29.3	10	45	39.6	8	40	-	-	-
	10	79.3	4	80	29.3	10	45	50	8	60	-	-	-
	15	104.3	3	110	54.3	8	60	50	8	60	-	-	-
X48K	0	38	8	60	-	-	-	-	-	-	-	-	-
	5	63	6	80	38	8	60	25	10	30	-	-	-
	8	77.6	4	90	38	8	60	39.6	8	40	-	-	-
	10	88.0	4	100	38	8	60	50	8	60	-	-	-
	15	113.0	2	125	38	8	60	50	8	60	25	10	30
	20	138.0	1	150	38	8	60	50	8	60	50	8	60
X60K	0	40.8	8	60	-	-	-	-	-	-	-	-	-
	5	65.8	6	80	40.8	8	60	25	10	30	-	-	-
	8	80.4	4	90	40.8	8	60	39.6	8	40	-	-	-
	10	90.8	4	100	40.8	8	60	50	8	60	-	-	-
	15	115.8	2	125	40.8	8	60	50	8	60	25	10	30
	20	140.8	1	150	40.8	8	60	50	8	60	50	8	60

NOTES:

Changed circuitry to show X-13 motors routed straight to the contactor

* For Maytag TSL, change model number to PPH1SE-X**K

Table 14. Q4SE Electrical Data (2, 3, 4, & 5 Ton Units)

Q5RD SERIES - 208/230V - SINGLE PHASE MODELS													
MODEL Q5RD-	HEATER KW	MCA	REC, WIRE GAGE (90° C CU)	MOP	CIRCUIT A (COMPRESSOR & BLOWER)			CIRCUIT B (FAN & HEATER)			CIRCUIT C (HEATER ONLY)		
					MCA	REC, WIRE GAGE (90° C CU)	MOP	MCA	REC, WIRE GAGE (90° C CU)	MOP	MCA	REC, WIRE GAGE (90° C CU)	MOP
024K	0	18.1	12	30	-	-	-	-	-	-	-	-	-
	5	43.1	8	50	-	-	-	-	-	-	-	-	-
	8	57.7	6	60	-	-	-	-	-	-	-	-	-
	10	68.1	6	70	17.1	12	25	51	8	60	-	-	-
030K	0	22.2	10	35	-	-	-	-	-	-	-	-	-
	5	47.2	8	50	-	-	-	-	-	-	-	-	-
	8	61.8	6	70	20.8	10	35	41	8	45	-	-	-
	10	72.2	6	80	20.8	10	35	51.4	8	60	-	-	-
	15	97.2	3	100	45.8	8	50	51.4	8	60	-	-	-
036KA	0	26.5	10	45	-	-	-	-	-	-	-	-	-
	5	51.5	8	60	-	-	-	-	-	-	-	-	-
	8	66	6	70	25.4	10	40	40.7	8	45	-	-	-
	10	76.5	4	80	25.4	10	40	51.1	8	60	-	-	-
	15	101.5	3	110	50.4	8	60	51.1	8	60	-	-	-
048KA	0	34.9	8	50	-	-	-	-	-	-	-	-	-
	5	59.9	6	70	33.5	8	50	26.5	10	30	-	-	-
	8	74.5	6	90	33.5	8	50	41	8	45	-	-	-
	10	84.9	4	90	33.5	8	50	51.5	8	60	-	-	-
	15	109.9	3	110	58.5	6	70	51.5	8	60	-	-	-
	20	134.9	1	150	-	-	-	-	-	-	-	-	-
	20 (3 cir.)	-	-	-	33.5	8	50	51.5	8	60	50	8	60

Table 15. Q5RD w/ PSC Indoor Motor Electrical Data (2 & 2.5 Ton Units)

Q5RD SERIES - 208/230V - SINGLE PHASE MODELS													
MODEL NUMBER Q5RD	HEATER KW	MCA	REC, WIRE GAGE (90° C CU)	MOP	CIRCUIT A (COMPRESSOR, BLOWER & FAN)			CIRCUIT B (HEATER ONLY)			CIRCUIT C (HEATER ONLY)		
					MCA	REC, WIRE GAGE (90° C CU)	MOP	MCA	REC, WIRE GAGE (90° C CU)	MOP	MCA	REC, WIRE GAGE (90° C CU)	MOP
036K	0	28.5	10	45	-	-	-	-	-	-	-	-	-
	5	53.5	8	60	-	-	-	-	-	-	-	-	-
	8	68	6	70	28.5	10	45	39.6	8	40	-	-	-
	10	78.5	4	80	28.5	10	45	50	8	60	-	-	-
	15	103.5	3	110	53.5	8	60	50	8	60	-	-	-
042K	0	32.2	8	50	-	-	-	-	-	-	-	-	-
	5	57.2	6	70	-	-	-	-	-	-	-	-	-
	8	71.8	6	80	32.2	8	50	39.6	8	40	-	-	-
	10	82.2	4	90	32.2	8	50	50	8	60	-	-	-
	15	107.2	3	110	57.2	6	70	50	8	60	-	-	-
	20	132.2	1	150	-	-	-	-	-	-	-	-	-
	20 (3 circuit)	-	-	-	32.2	8	50	50	8	60	50	8	60
048K	0	37.6	8	60	-	-	-	-	-	-	-	-	-
	5	62.6	6	80	37.6	8	60	25	10	30	-	-	-
	8	77.2	4	90	37.6	8	60	39.6	8	40	-	-	-
	10	87.6	4	100	37.6	8	60	50	8	60	-	-	-
	15	112.6	2	125	62.6	6	80	50	8	60	-	-	-
	20	137.6	1	150	-	-	-	-	-	-	-	-	-
	20 (3 circuit)	-	-	-	37.6	8	60	50	8	60	50	8	60
060K	0	40.5	8	60	-	-	-	-	-	-	-	-	-
	5	65.5	6	80	40.5	8	60	25	10	30	-	-	-
	8	80.1	4	90	40.5	8	60	39.6	8	40	-	-	-
	10	90.5	4	100	40.5	8	60	50	8	60	-	-	-
	15	115.5	2	125	65.5	6	80	50	8	60	-	-	-
	20	140.5	1	150	-	-	-	-	-	-	-	-	-
	20 (3 circuit)	-	-	-	40.5	8	60	50	8	60	50	8	60

Table 16. Q5RD w/ ECM Indoor Motor Electrical Data (3, 3.5, 4, & 5 Ton Units)

Q5RF SERIES - 208/230V - SINGLE PHASE MODELS													
MODEL NUMBER Q5RF	HEATER KW	MCA	REC, WIRE GAGE (90° C CU)	MOP	CIRCUIT A (COMPRESSOR, BLOWER & FAN)			CIRCUIT B (HEATER ONLY)			CIRCUIT C (HEATER ONLY)		
					MCA	REC, WIRE GAGE (90° C CU)	MOP	MCA	REC, WIRE GAGE (90° C CU)	MOP	MCA	REC, WIRE GAGE (90° C CU)	MOP
X24K	0	18.1	12	25	-	-	-	-	-	-	-	-	-
	5	43.1	8	45	-	-	-	-	-	-	-	-	-
	8	57.6	6	60	-	-	-	-	-	-	-	-	-
	10	68.1	6	70	18.1	12	25	50	8	60	-	-	-
X36K	0	26.1	10	40	-	-	-	-	-	-	-	-	-
	5	51.1	8	60	-	-	-	-	-	-	-	-	-
	8	65.6	6	70	26.1	10	40	39.6	8	40	-	-	-
	10	76.1	4	80	26.1	10	40	50	8	60	-	-	-
	15	101.1	3	110	51.1	8	60	50	8	60	-	-	-
X48K	0	37.7	8	50	-	-	-	-	-	-	-	-	-
	5	62.7	6	70	37.7	8	50	25	10	30	-	-	-
	8	77.3	4	90	37.7	8	50	39.6	8	40	-	-	-
	10	87.7	4	90	37.7	8	50	50	6	60	-	-	-
	15	112.7	2	125	62.7	6	70	50	8	60	-	-	-
	20	137.7	1	150	-	-	-	-	-	-	-	-	-
	20 (3 circuit)	-	-	-	37.7	8	50	50	8	60	50	8	60
X60K	0	40.1	8	60	-	-	-	-	-	-	-	-	-
	5	65.1	6	80	40.1	8	60	25	10	30	-	-	-
	8	79.6	4	90	40.1	8	60	39.6	8	40	-	-	-
	10	90.1	4	100	40.1	8	60	50	8	60	-	-	-
	15	115.1	2	125	65.1	6	80	50	8	60	-	-	-
	20	140.1	1	150	-	-	-	-	-	-	-	-	-
	20 (3 circuit)	-	-	-	40.1	8	60	50	8	60	50	8	60

Table 17. Q5RF Electrical Data (3, 3.5, 4, & 5 Ton Units)

Q6SD SERIES - 208/230V - SINGLE PHASE MODELS													
MODEL Q6SD-	HEATER KW	SINGLE CIRCUIT			MULTIPLE SUPPLY CIRCUIT OPTION								
		MCA	REC, WIRE GAGE (90° C CU)	MOP	CIRCUIT A (COMPRESSOR, BLOWER & FAN)			CIRCUIT B (HEATER ONLY)			CIRCUIT C (HEATER ONLY)		
					MCA	REC, WIRE GAGE (90° C CU)	MOP	MCA	REC, WIRE GAGE (90° C CU)	MOP	MCA	REC, WIRE GAGE (90° C CU)	MOP
X24K	0	21.1	10	30	-	-	-	-	-	-	-	-	-
	5	46.1	8	50	21.1	-	-	-	-	-	-	-	-
	8	60.7	6	70	21.1	10	30	39.6	8	40	-	-	-
	10	71.1	6	80	21.1	10	30	50	8	60	-	-	-
	15	96.1	3	100	21.1	10	30	50	8	60	25.0	10	30
X30K	0	24.7	10	40	-	-	-	-	-	-	-	-	-
	5	49.7	8	60	-	-	-	-	-	-	-	-	-
	8	64.3	6	70	24.7	10	40	39.6	8	40	-	-	-
	10	74.7	6	80	24.7	10	40	50	8	60	-	-	-
	15	99.7	3	100	24.7	10	40	50	8	60	25.0	10	30
X36K	0	28.6	10	45	-	-	-	-	-	-	-	-	-
	5	53.6	8	60	-	-	-	-	-	-	-	-	-
	8	68.1	6	70	28.6	10	45	39.6	8	40	-	-	-
	10	78.6	4	80	28.6	10	45	50	8	60	-	-	-
	15	103.6	3	110	28.6	10	45	50	8	60	25.0	10	30
X42K	0	32.9	8	50	-	-	-	-	-	-	-	-	-
	5	57.9	6	70	32.9	8	50	25	10	30	-	-	-
	8	72.5	6	80	32.9	8	50	39.6	8	40	-	-	-
	10	82.9	4	90	32.9	8	50	50	8	60	-	-	-
	15	107.9	3	110	32.9	8	50	50	8	60	25.0	10	30
	20	132.9	1	150	32.9	8	50	50	8	60	50.0	8	60
X48K	0	37.6	8	60	-	-	-	-	-	-	-	-	-
	5	62.6	6	80	37.6	8	60	25.0	10	30	-	-	-
	8	77.2	4	90	37.6	8	60	39.6	8	40	-	-	-
	10	87.6	4	100	37.6	8	60	50.0	8	60	-	-	-
	15	112.6	2	125	37.6	8	60	50.0	8	60	25.0	10	30
	20	137.6	1	150	37.6	8	60	50.0	8	60	50.0	8	60
X60K	0	44.1	8	70	-	-	-	-	-	-	-	-	-
	5	69.1	6	90	44.1	8	70	25.0	10	30	-	-	-
	8	83.7	4	100	44.1	8	70	39.6	8	40	-	-	-
	10	94.1	4	110	44.1	8	70	50.0	8	60	-	-	-
	15	119.1	2	125	44.1	8	70	50.0	8	60	25.0	10	30
	20	144.1	1	150	44.1	8	70	50.0	8	60	50.0	8	60

NOTE: All circuitry has been changed due to routing the X-13 motors to the contactor.

Table 18. Q6SD Electrical Data - 208/230v Single Phase Models

Q6SD SERIES - 208/230V - 3 PHASE MODELS										
MODEL Q6SD-	HEATER KW	SINGLE CIRCUIT			MULTIPLE SUPPLY CIRCUIT OPTION					
		MCA	REC, WIRE GAGE (90° C CU)	MOP	CIRCUIT A (COMPRESSOR, BLOWER & FAN)			CIRCUIT B (HEATER ONLY)		
					MCA	REC, WIRE GAGE (90° C CU)	MOP	MCA	REC, WIRE GAGE (90° C CU)	MOP
X36C	0	19.8	12	30	-	-	-	-	-	-
	9	46.9	8	50	-	-	-	-	-	-
	15	65.0	6	70	19.8	12	30	45.2	8	50
X48C	0	26.3	10	40	-	-	-	-	-	-
	9	53.4	8	60	-	-	-	-	-	-
	15	71.5	6	80	26.3	10	10	45.2	8	50
X60C	0	29.3	10	45	-	-	-	-	-	-
	9	56.3	6	60	-	-	-	-	-	-
	15	74.4	6	80	29.3	10	45	45.2	8	50

NOTE: All circuitry has been changed due t routing the X-13 motors to the contactor.

Table 19. Q6SD Electrical Data - 208/230v 3 Phase Models

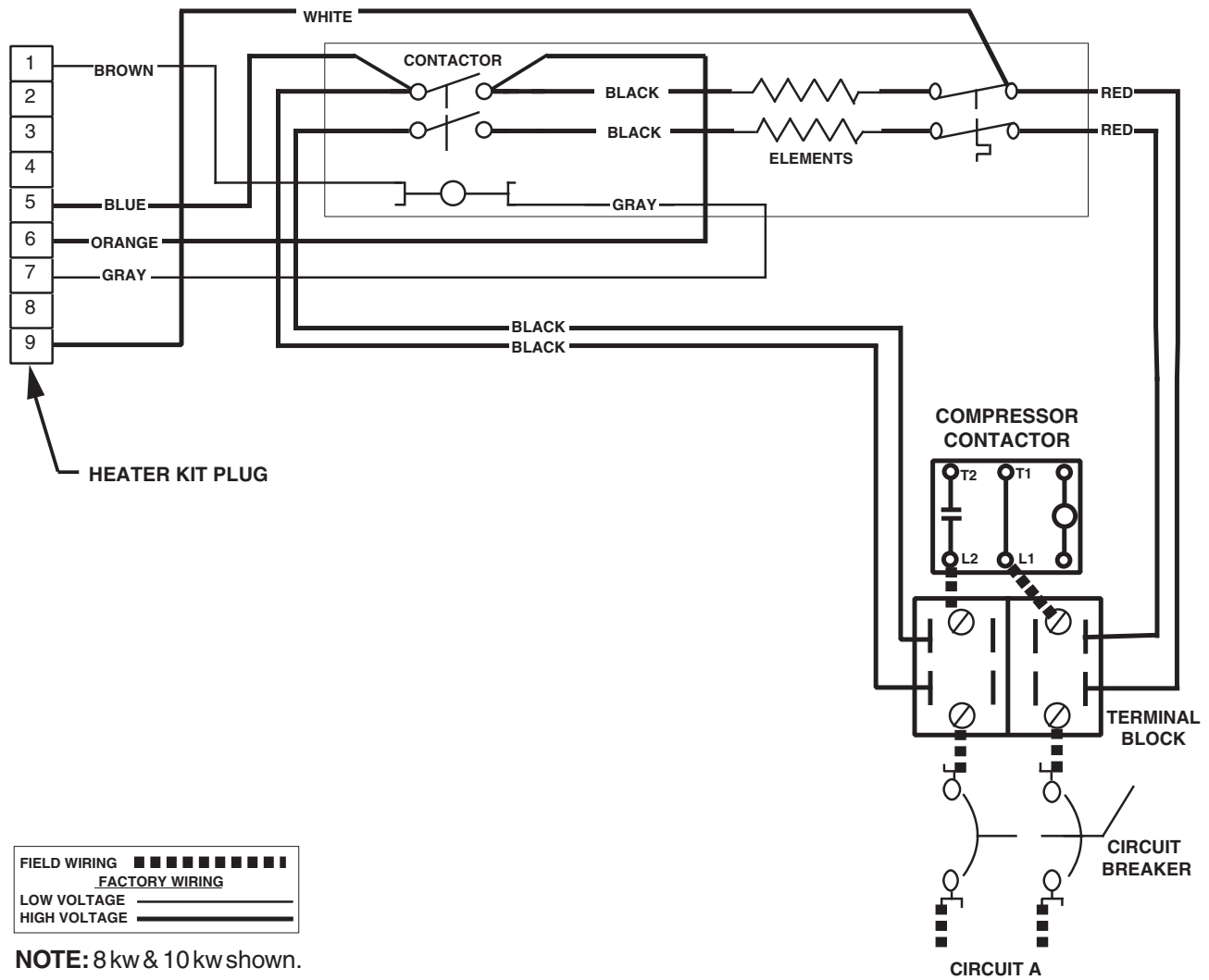
Q6SD SERIES - 460V - 3 PHASE MODELS				
MODEL Q6SD-	HEATER KW	SINGLE CIRCUIT		
		MCA	REC, WIRE GAGE (90° C CU)	MOP
X36D	0	10.7	14	15
	9	24.8	10	25
	15	34.2	8	35
X48D	0	12.4	14	15
	9	26.5	10	30
	15	36	8	40
X60D	0	14.8	14	15
	9	28.9	10	30
	15	38.3	8	40

NOTE: All circuitry has been changed due to routing the X-13 motors to the contactor.

Table 20. Q6SD Electrical Data - 460v 3 Phase Models

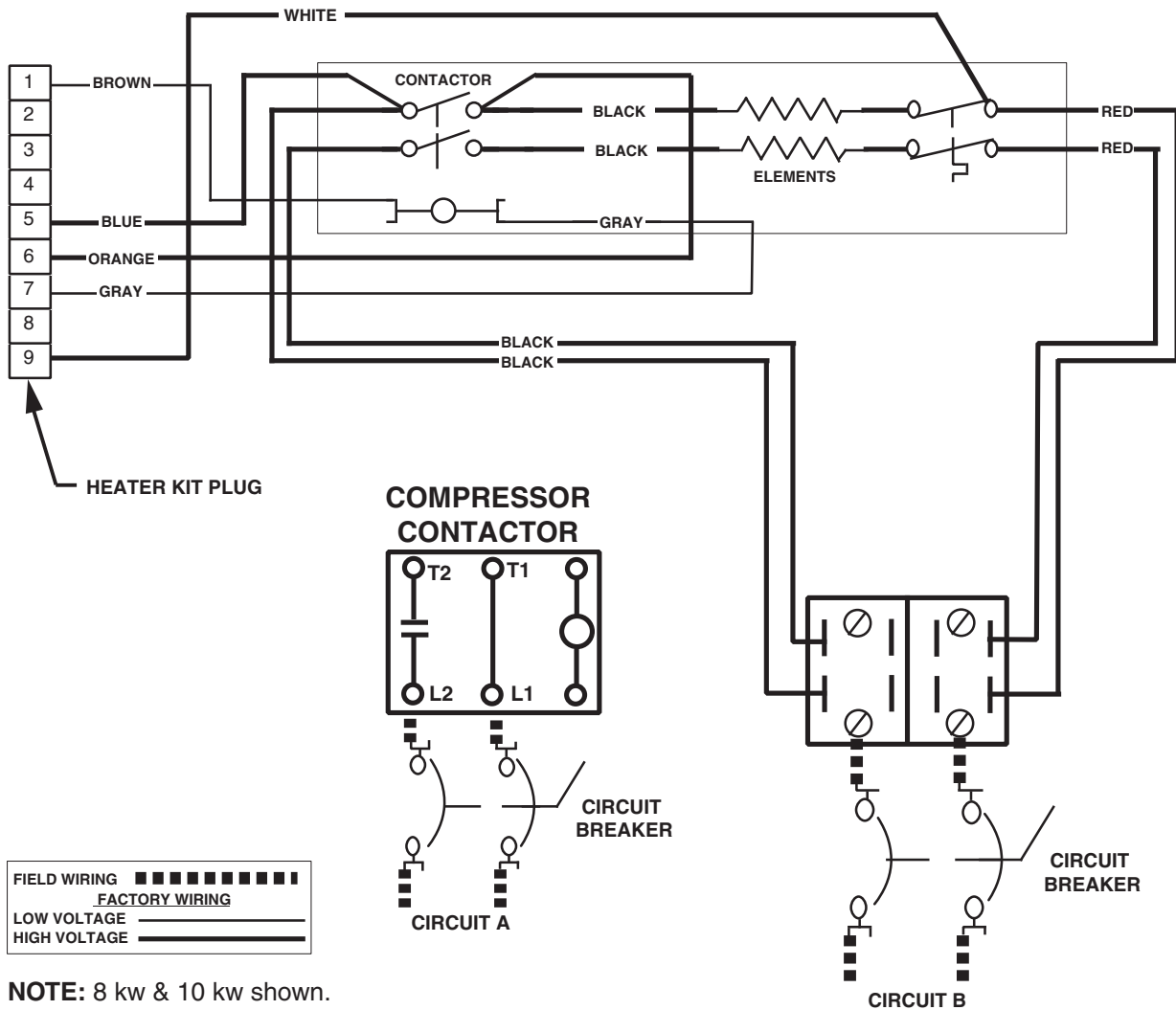
WIRING DIAGRAMS

WIRING DIAGRAM



Wiring Diagram #1 - Single Phase - 5 KW, 8 KW, OR 10 KW, 1 Circuit

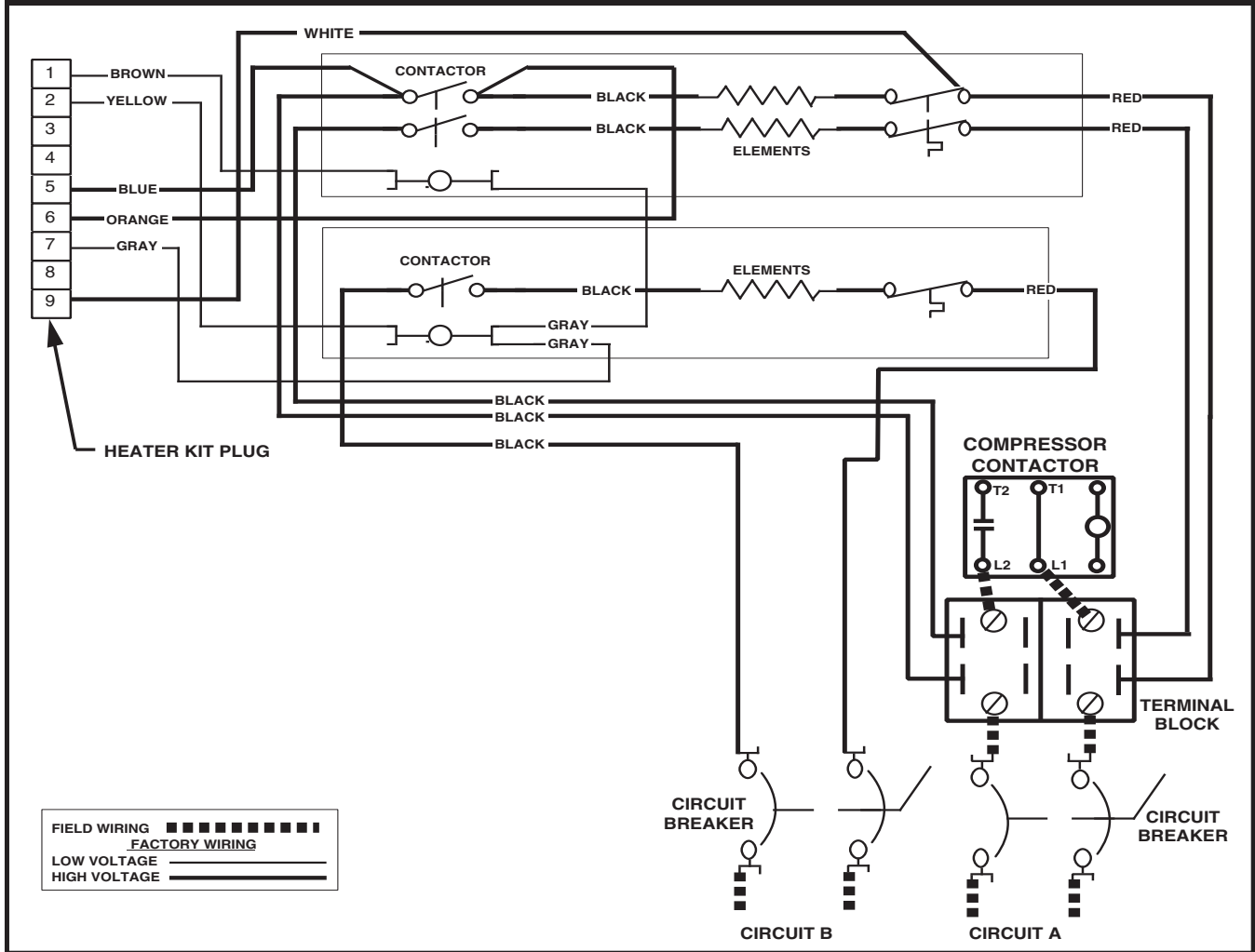
WIRING DIAGRAM



NOTE: 8 kw & 10 kw shown.

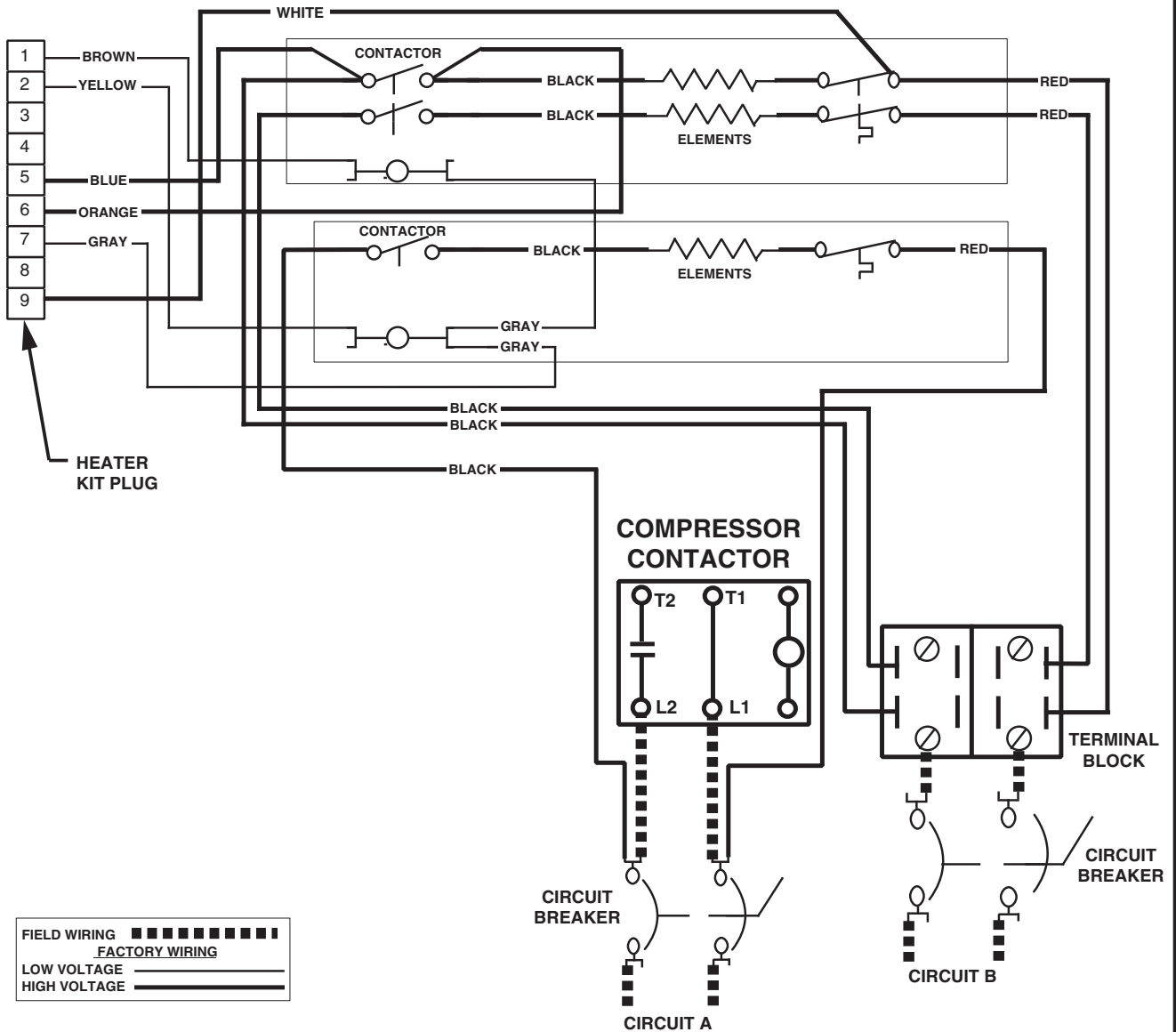
Wiring Diagram #2 - Single Phase - 5 KW, 8 KW, OR 10 KW, 2 Circuit

WIRING DIAGRAM



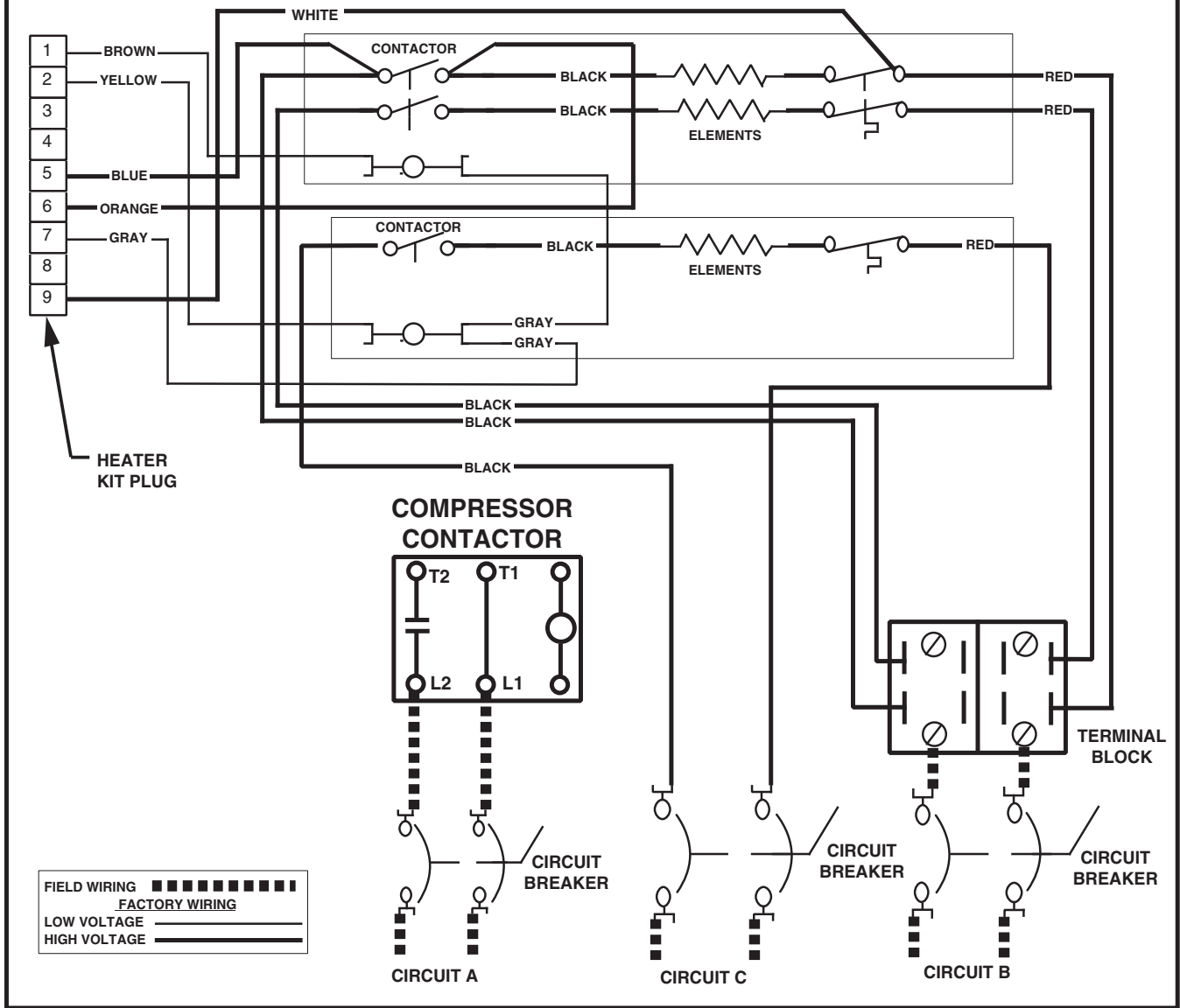
Wiring Diagram #3 - Single Phase - 15 KW, 2 Circuit (AC Application)

WIRING DIAGRAM



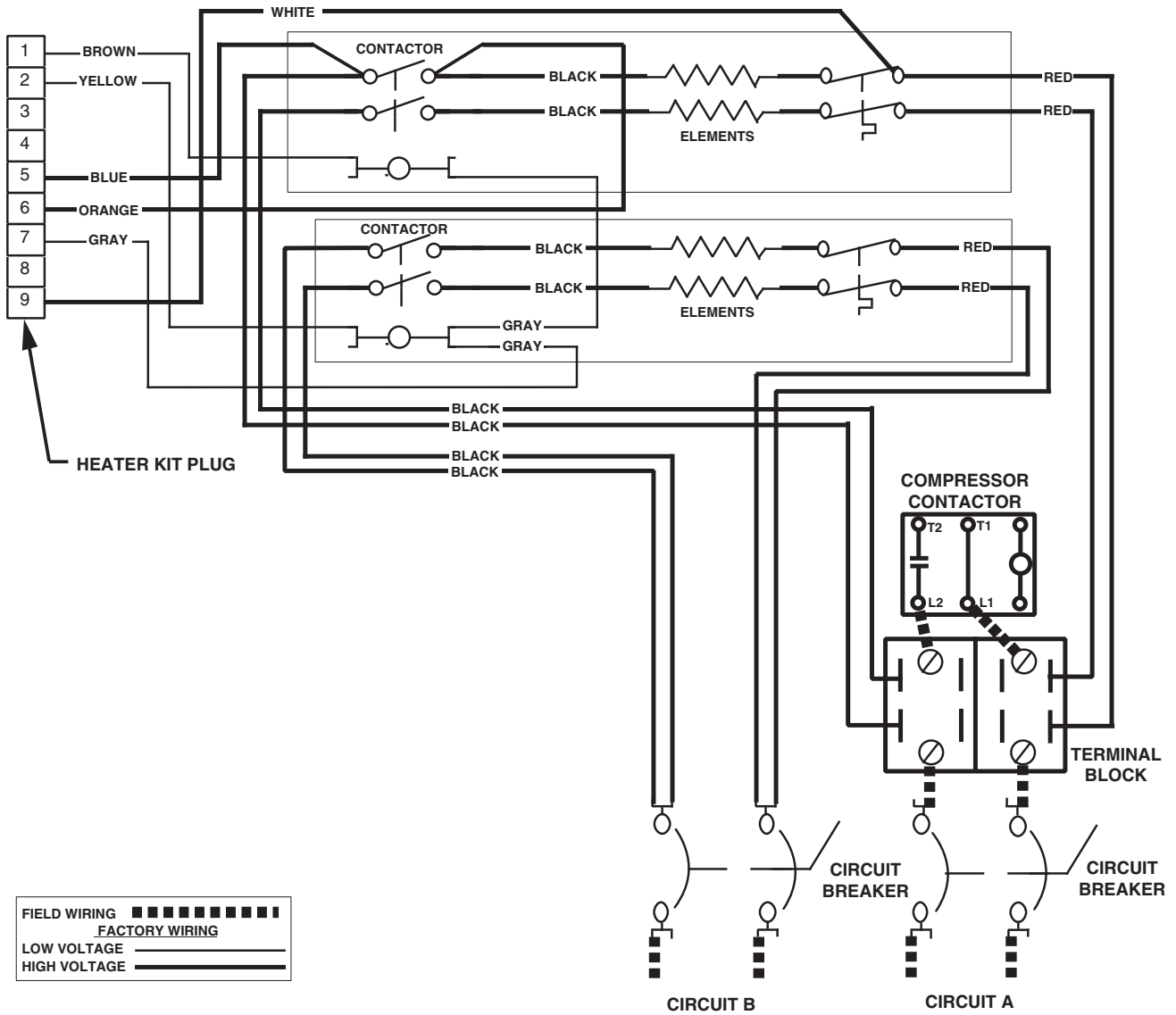
Wiring Diagram #4 - Single Phase - 15 KW, 2 Circuit (Heat Pump Application)

WIRING DIAGRAM



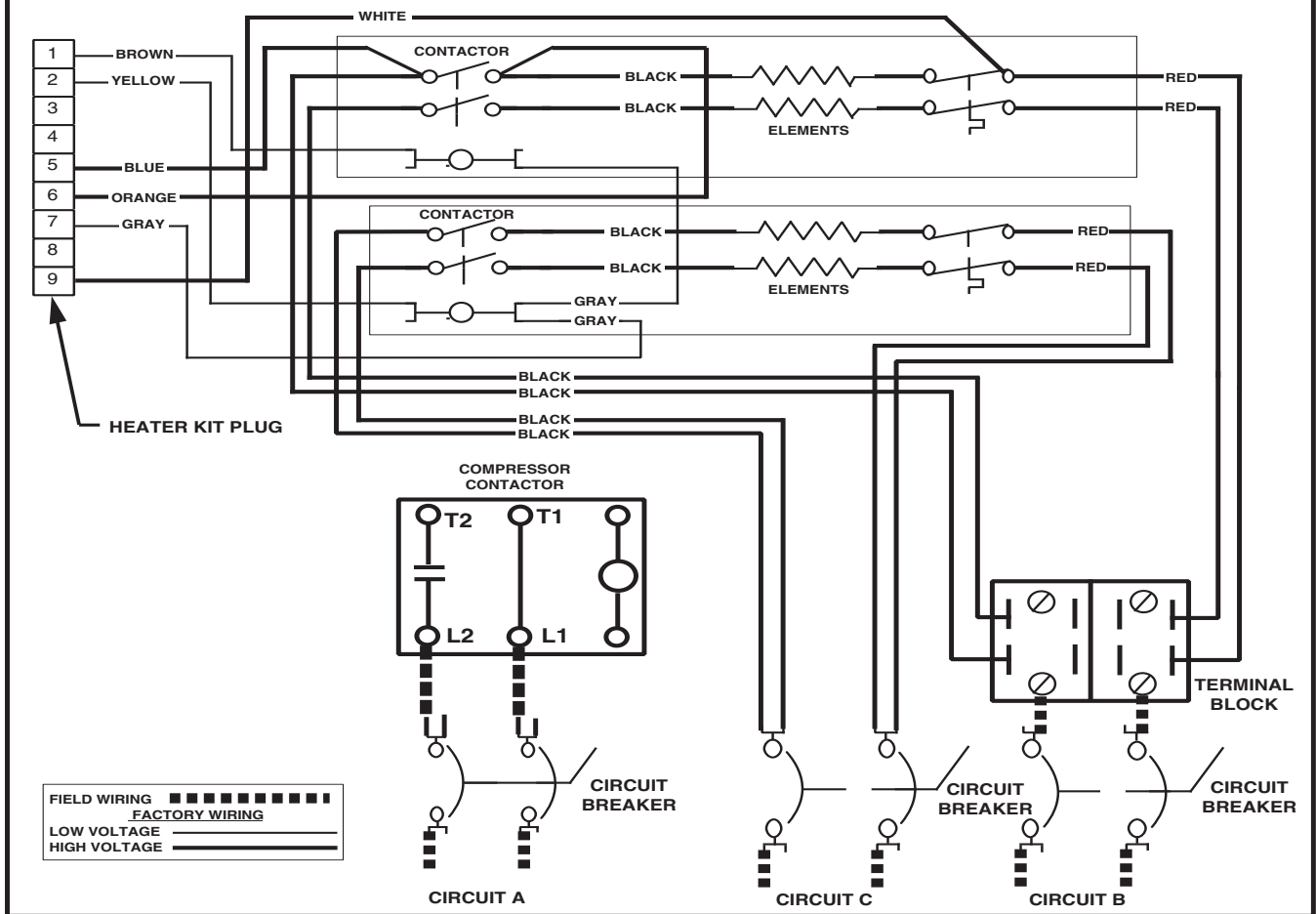
Wiring Diagram #5 - Single Phase - 15 KW, 3 Circuit

WIRING DIAGRAM

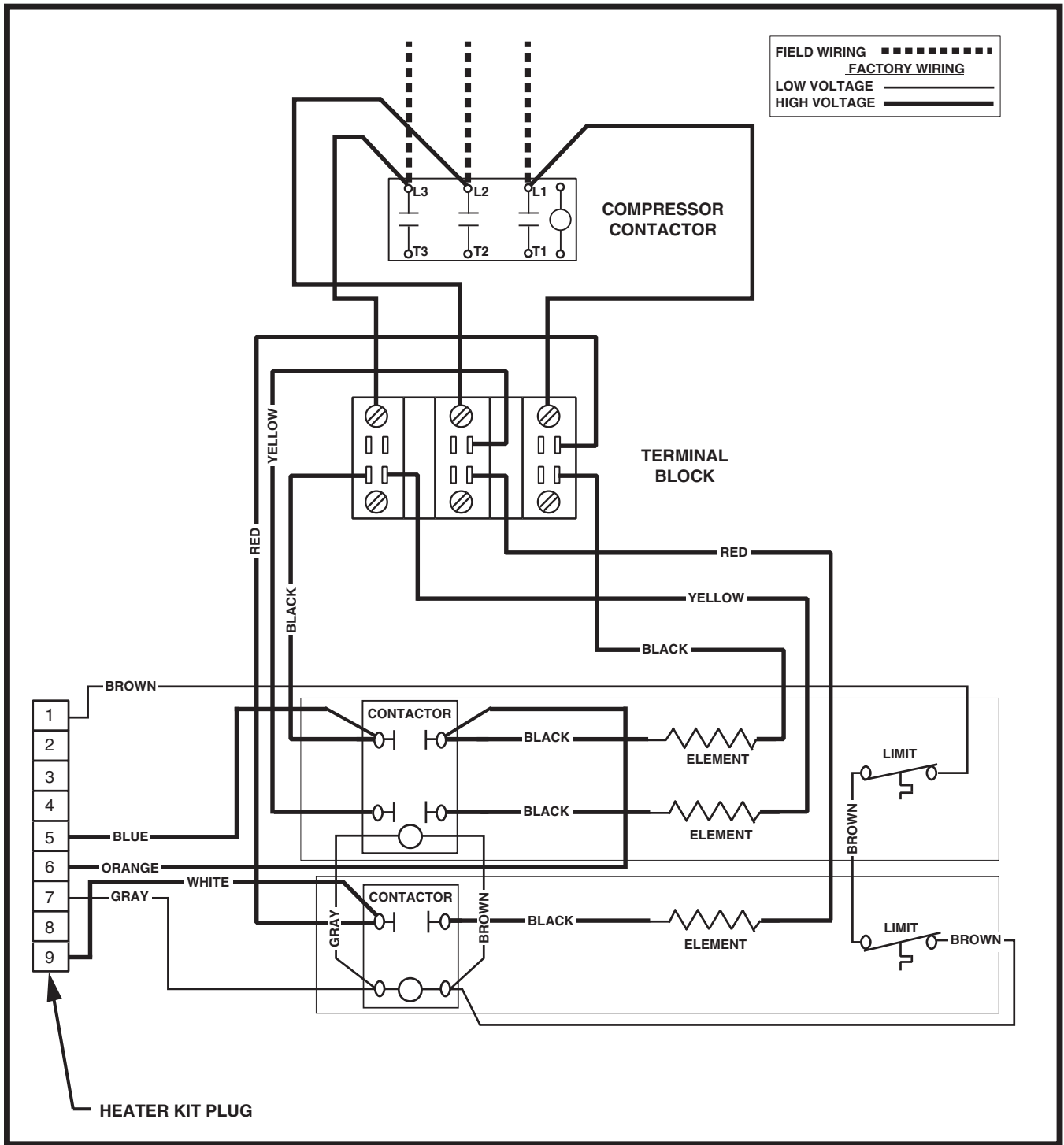


Wiring Diagram #6 - Single Phase - 20 KW, 2 Circuit

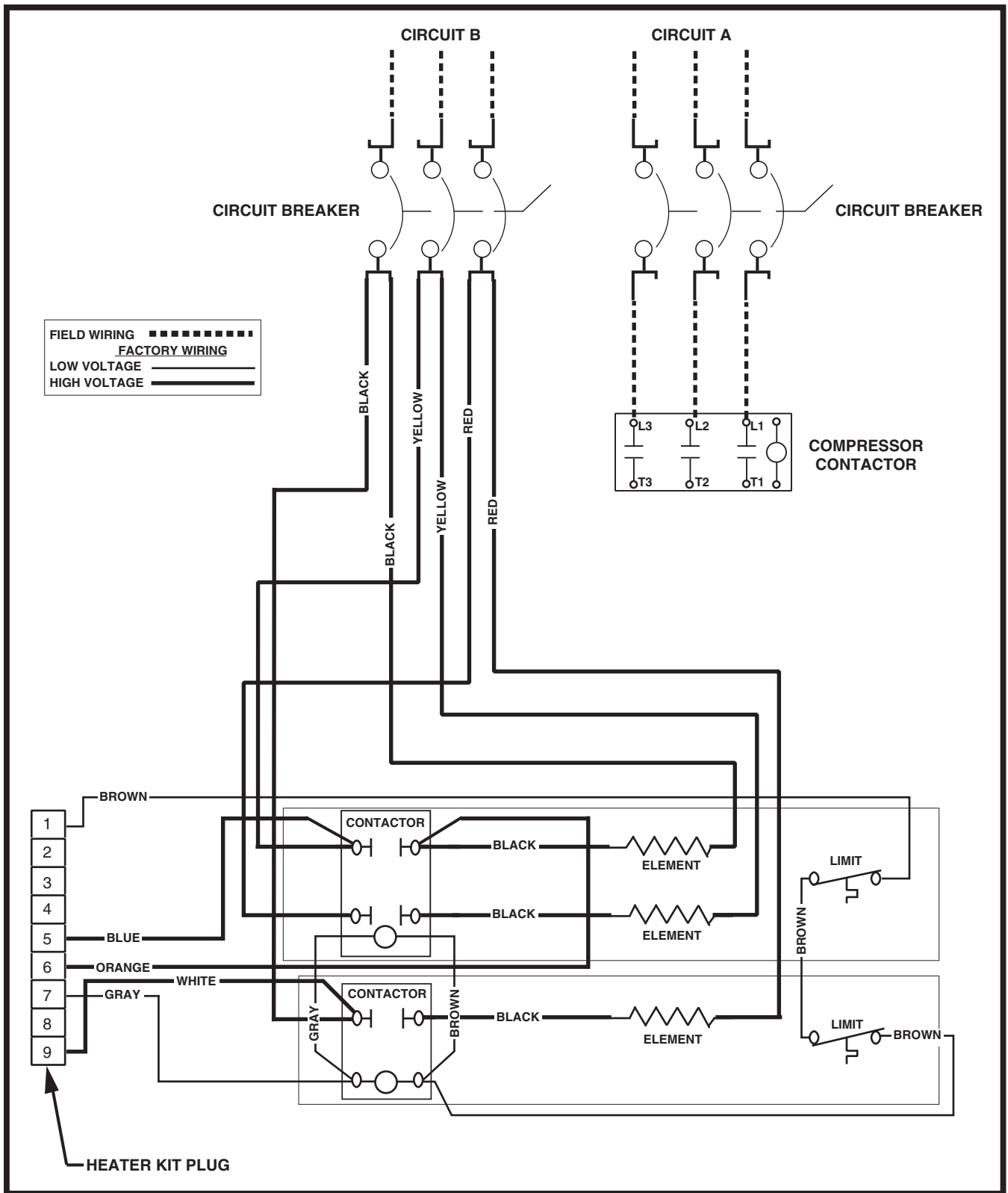
WIRING DIAGRAM



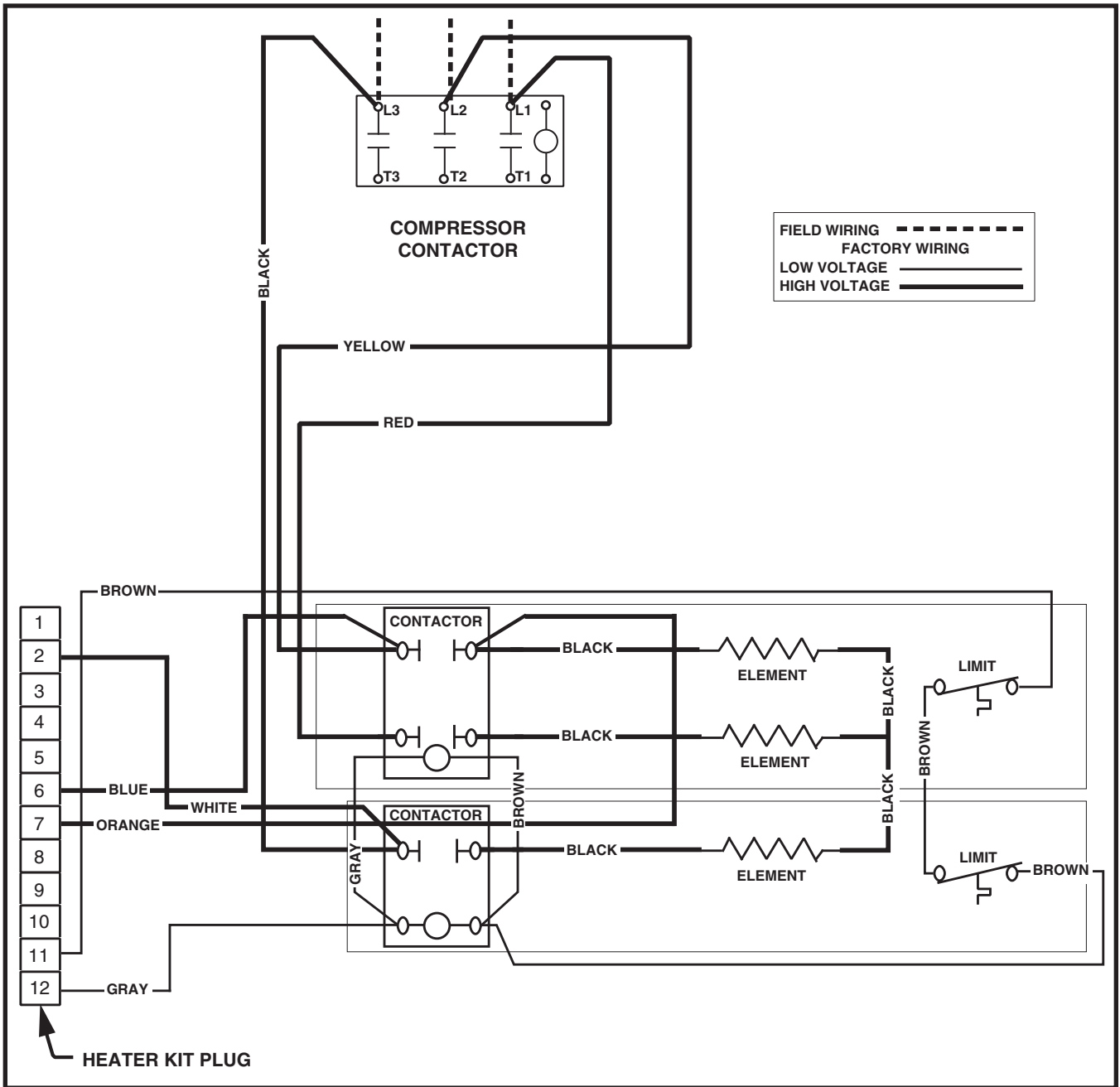
Wiring Diagram #7 - Single Phase - 20 KW, 3 Circuit



Wiring Diagram #8 - 3 Phase - 208/230V 9KW or 15KW, 1 Circuit



Wiring Diagram #9 - 3 Phase - 208/230V 9KW or 15KW, 2 Circuit



Wiring Diagram #10 - 3 Phase - 460V 9KW or 15KW, 1 Circuit

BLOWER DATA

P5RD SERIES SMALL PACK																	
UNIT	BLOWER SETTING	External Static Pressure Drop - inches water column															
		0.1		0.2		0.3		0.4		0.5		0.6		0.7		0.8	
		CFM	HEAT RISE	CFM	HEAT RISE	CFM	HEAT RISE	CFM	HEAT RISE	CFM	HEAT RISE	CFM	HEAT RISE	CFM	HEAT RISE	CFM	HEAT RISE
X24K	Low*	847	37	808	39	770	41	726	44	664	48	562	56	460	69		
	High**	1104	29	1114	28	1064	30	1010	31	935	34	846	37	710	44	536	59
X30K	Low	847	37	808	39	770	41	726	44	664	48	562	56	460	69		
	High†	1104	29	1114	28	1064	30	1010	31	935	34	846	37	710	44	536	59
X36K	Low†	1318	24	1284	25	1248	25	1207	26	1160	27	1110	28	1043	30	957	33
	High	1551	20	1521	21	1477	21	1434	22	1388	23	1342	24	1263	25	1180	27
X42K	Tap T1	1100	29	900	35	750	42	650	49	580	54	520	61	480	66	455	69
	Tap T2	1208	26	1080	29	1025	31	972	33	926	34	874	36	813	39	752	42
	Tap T3	1262	25	1199	26	1153	27	1110	28	1070	30	1027	31	965	33	906	35
	Tap T4*	1370	23	1333	24	1300	24	1260	25	1230	26	1180	27	1070	30	1010	31
	Tap T5**	1410	22	1340	24	1450	22	1320	24	1280	25	1240	25	1195	26	1150	27
X48	Tap T1	1480	21	1455	22	1415	22	1390	23	1355	23	1320	24	1290	24	1255	25
	Tap T2**	1575	20	1545	20	1515	21	1475	21	1440	22	1420	22	1385	23	1345	23
	Tap T3*	1635	19	1505	21	1575	20	1545	20	1515	21	1485	21	1455	22	1425	22
	Tap T4	1775	18	1740	18	1715	18	1695	19	1665	19	1635	19	1610	20	1580	20
	Tap T5	2065	15	2040	15	2020	16	1985	16	1960	16	1940	16	1905	17	1850	17
X60	Tap T1	1480	21	1455	22	1415	22	1390	23	1355	23	1320	24	1290	24	1255	25
	Tap T2**	1575	20	1545	20	1515	21	1475	21	1440	22	1420	22	1385	23	1345	23
	Tap T3	1635	19	1505	21	1575	20	1545	20	1515	21	1485	21	1455	22	1425	22
	Tap T4*	1775	18	1740	18	1715	18	1695	19	1665	19	1635	19	1610	20	1580	20
	Tap T5	2065	15	2040	15	2020	16	1985	16	1960	16	1940	16	1905	17	1850	17

NOTES:

Temperature rises shaded gray are for reference only. These conditions are not recommended.

* Denotes factory set cooling speed

** Denotes factory set electric heating speed

† Denotes Factory cooling & electric heating speed

Table 21. P5RD Series Blower Data - (Single Phase Models)

P5RF SERIES SMALL PACK																	
UNIT	BLOWER SETTING	External Static Pressure Drop - inches water column															
		0.1		0.2		0.3		0.4		0.5		0.6		0.7		0.8	
		CFM	HEAT RISE	CFM	HEAT RISE	CFM	HEAT RISE	CFM	HEAT RISE	CFM	HEAT RISE	CFM	HEAT RISE	CFM	HEAT RISE	CFM	HEAT RISE
X24K	Tap T1*	990	32	790	40	520	61										
	Tap T2	1030	31	850	37	560	56	440	72	385	82						
	Tap T3**	1080	29	925	34	800	39	720	44	675	47	615	51	570	55	515	61
	Tap T4***	1160	27	1100	29	1040	30	1000	32	960	33	910	35	850	37	815	39
	Tap T5	1320	24	1290	24	1250	25	1200	26	1165	27	1125	28	1080	29	1030	31
X36K	Tap T1*	1065	30	875	36	630	50	580	54	510	62	450	70	394	80		
	Tap T2	1110	28	955	33	900	35	845	37	800	39	755	42	700	45	660	48
	Tap T3**	1170	27	1110	28	1060	30	1025	31	985	32	940	34	885	36	840	38
	Tap T4***	1480	21	1450	22	1420	22	1385	23	1355	23	1320	24	1285	25	1240	25
	Tap T5	1580	20	1545	20	1500	21	1480	21	1450	22	1420	22	1380	23	1350	23
X48	Tap T1*	1140	28	1040	30	980	32	945	33	900	35	845	37	790	40	745	42
	Tap T2	1315	24	1280	25	1230	26	1200	26	1160	27	1125	28	1080	29	1030	31
	Tap T3***	1465	22	1435	22	1400	23	1360	23	1320	24	1285	25	1245	25	1200	26
	Tap T4**	1560	20	1525	21	1500	21	1465	22	1425	22	1390	23	1350	23	1315	24
	Tap T5	1740	18	1710	18	1680	19	1650	19	1620	20	1580	20	1545	20	1510	21
X60	Tap T1*	1154	27	1097	29	1060	30	1026	31	979	32	946	33	906	35	868	36
	Tap T2	1270	25	1233	26	1204	26	1172	27	1136	28	1095	29	1057	30	1024	31
	Tap T3***	1590	20	1531	21	1504	21	1476	21	1452	22	1419	22	1389	23	1365	23
	Tap T4**	1810	17	1786	18	1757	18	1731	18	1706	19	1681	19	1661	19	1634	19
	Tap T5	2023	16	1998	16	1968	16	1944	16	1921	16	1884	17	1842	17	1783	18

NOTES:

Temperature rises shaded gray are for reference only. These conditions are not recommended.

* Denotes factory set low cooling & heating speed.

** Denotes factory set high cooling & heating speed.

*** Denotes factory set electric heating speed.

Table 22. P5RF Series Blower Data - (Small Pack)

P6SD SERIES - SINGLE PHASE																	
UNIT	BLOWER SETTING	External Static Pressure Drop - inches water column															
		0.1		0.2		0.3		0.4		0.5		0.6		0.7		0.8	
		CFM	HEAT RISE	CFM	HEAT RISE	CFM	HEAT RISE	CFM	HEAT RISE	CFM	HEAT RISE	CFM	HEAT RISE	CFM	HEAT RISE	CFM	HEAT RISE
X36	Low*	1153	27	1102	29	1043	30	990	32	912	35	831	38	731	43	618	51
	Medium	1367	23	1320	24	1271	25	1205	26	1138	28	1065	30	968	33	845	37
	High	1610	20	1562	20	1504	21	1442	22	1365	23	1295	24	1214	26	1109	28
X48	Low*	1584	20	1568	20	1532	21	1489	21	1445	22	1387	23	1322	24	1236	26
	Medium	2026	16	1982	16	1935	16	1889	17	1822	17	1744	18	1660	19	1554	20
	High	2361	13	2278	14	2218	14	2141	15	2066	15	1976	16	1870	17	1758	18
X60	Tap T1	1515	21	1450	22	1380	23	1350	23	1280	25	1250	25	1200	26	1160	27
	Tap T2**	1580	20	1520	21	1460	22	1400	23	1300	24	1280	25	1260	25	1230	26
	Tap T3*	1740	18	1690	19	1650	19	1600	20	1360	23	1500	21	1460	22	1390	23
	Tap T4	1960	16	1910	17	1840	17	1820	17	1540	21	1740	18	1700	19	1600	20
	Tap T5	2090	15	2050	15	2010	16	1975	16	1780	18	1900	17	1850	17	1790	18

NOTES:

Calculated values in matrix are all with 10KW for 1 phase

Temperature rises shaded gray are for reference only. These conditions are not recommended.

* Denotes factory set cooling speed

** Denotes factory set electric heating speed

Table 23. P6SD Series Blower Data - (Single Phase)

P6SD SERIES - 3 PHASE																	
UNIT	BLOWER SETTING	External Static Pressure Drop - inches water column															
		0.1		0.2		0.3		0.4		0.5		0.6		0.7		0.8	
		CFM	HEAT RISE	CFM	HEAT RISE	CFM	HEAT RISE	CFM	HEAT RISE	CFM	HEAT RISE	CFM	HEAT RISE	CFM	HEAT RISE	CFM	HEAT RISE
X36	Low*	1153	25	1102	26	1043	27	990	29	912	31	831	34	731	39	618	46
	Medium	1367	21	1320	22	1271	22	1205	24	1138	25	1065	27	968	29	845	34
	High	1610	18	1562	18	1504	19	1442	20	1365	21	1295	22	1214	23	1109	26
X48	Low*	1584	18	1568	18	1532	19	1489	19	1445	20	1387	21	1322	22	1236	23
	Medium	2026	14	1982	14	1935	15	1889	15	1822	16	1744	16	1660	17	1554	18
	High	2361	12	2278	12	2218	13	2141	13	2066	14	1976	14	1870	15	1758	16
X60	Tap T1	1515	19	1450	20	1380	21	1350	21	1280	22	1250	23	1200	24	1160	25
	Tap T2**	1580	18	1520	19	1460	19	1400	20	1300	22	1280	22	1260	23	1230	23
	Tap T3*	1740	16	1690	17	1650	17	1600	18	1360	21	1500	19	1460	19	1390	20
	Tap T4	1960	15	1910	15	1840	15	1820	16	1540	18	1740	16	1700	17	1600	18
	Tap T5	2090	14	2050	14	2010	14	1975	14	1780	16	1900	15	1850	15	1790	16

NOTES:

Calculated values in matrix are all with 9KW for 3 phase

Temperature rises shaded gray are for reference only. These conditions are not recommended.

* Denotes factory set cooling speed

** Denotes factory set electric heating speed

Table 24. P6SD Series Blower Data - (3 Phase)

Q4SE & PPH1SE								
Nominal KW	CFM	Switch Number						
		1	2	3	4	5	6	7
0-5	500					0	0	
6-10	700					1	0	
11-15	900					0	1	
16-20	1100					1	1	

NOTE: 1=ON, 0=OFF

Table 25. Q4SE/PPH1SE Series Minimum Electric Heat Airflow - (all models)

Q5RD SERIES SMALL PACK																	
UNIT	BLOWER SETTING	External Static Pressure Drop - inches water column															
		0.1		0.2		0.3		0.4		0.5		0.6		0.7		0.8	
		CFM	HEAT RISE	CFM	HEAT RISE	CFM	HEAT RISE	CFM	HEAT RISE	CFM	HEAT RISE	CFM	HEAT RISE	CFM	HEAT RISE	CFM	HEAT RISE
024K	Low T6	607	52	555	57	490	64	437	72	368	86	291	109	255	124		
	Med T5†	899	35	854	37	802	39	743	43	670	47	601	53	533	59		
	High T4	1220	26	1178	27	1133	28	1091	29	1024	31	946	33	844	37	743	43
030K	Low	847	37	808	39	770	41	726	44	664	48	562	56	460	69		
	High†	1104	29	1114	28	1064	30	1010	31	935	34	846	37	710	44	536	59
036KA	Low†	1318	24	1284	25	1248	25	1207	26	1160	27	1110	28	1043	30	957	33
	High	1551	20	1521	21	1477	21	1434	22	1388	23	1342	24	1263	25	1180	27
036K	Tap T1	1100	29	900	35	750	42	650	49	580	54	520	61	480	66	455	69
	Tap T2**	1208	26	1080	29	1025	31	972	33	926	34	874	36	813	39	752	42
	Tap T3*	1262	25	1199	26	1153	27	1110	28	1070	30	1027	31	965	33	906	35
	Tap T4	1370	23	1333	24	1300	24	1260	25	1230	26	1180	27	1070	30	1010	31
	Tap T5	1410	22	1340	24	1450	22	1320	24	1280	25	1240	25	1195	26	1150	27
042K	Tap T1	1480	21	1455	22	1415	22	1390	23	1355	23	1320	24	1290	24	1255	25
	Tap T2*	1575	20	1545	20	1515	21	1475	21	1440	22	1420	22	1385	23	1345	23
	Tap T3**	1635	19	1505	21	1575	20	1545	20	1515	21	1485	21	1455	22	1425	22
	Tap T4	1775	18	1740	18	1715	18	1695	19	1665	19	1635	19	1610	20	1580	20
	Tap T5	2065	15	2040	15	2020	16	1985	16	1960	16	1940	16	1905	17	1850	17
048KA	Low	1460	22	1440	22	1420	22	1390	23	1360	23	1325	24	1285	25	1235	26
	Med†	1840	17	1815	17	1790	18	1760	18	1715	18	1660	19	1605	20	1535	21
	High	2155	15	2115	15	2065	15	2020	16	1955	16	1895	17	1830	17	1740	18
048K	Tap T1	1480	21	1455	22	1415	22	1390	23	1355	23	1320	24	1290	24	1255	25
	Tap T2**	1575	20	1545	20	1515	21	1475	21	1440	22	1420	22	1385	23	1345	23
	Tap T3*	1635	19	1505	21	1575	20	1545	20	1515	21	1485	21	1455	22	1425	22
	Tap T4	1775	18	1740	18	1715	18	1695	19	1665	19	1635	19	1610	20	1580	20
	Tap T5	2065	15	2040	15	2020	16	1985	16	1960	16	1940	16	1905	17	1850	17
060K	Tap T1	1370	23	1340	24	1310	24	1280	25	1260	25	1230	26	1195	26	1160	27
	Tap T2	1470	21	1440	22	1410	22	1380	23	1360	23	1320	24	1290	24	1250	25
	Tap T3**	1550	20	1520	21	1480	21	1450	22	1430	22	1400	23	1380	23	1350	23
	Tap T4*	1810	17	1770	18	1740	18	1720	18	1690	19	1660	19	1610	20	1575	20
	Tap T5	1890	17	1870	17	1840	17	1820	17	1800	18	1770	18	1710	18	1670	19

NOTES:

Temperature rises shaded gray are for reference only. These conditions are not recommended.

* Denotes factory set cooling speed

** Denotes factory set electric heating speed

† Denotes Factory cooling and electric heating speed

Table 26. Q5RD Series Blower Data - (Small Pack)

Q5RF SERIES SMALL PACK																	
UNIT	BLOWER SETTING	External Static Pressure Drop - inches water column															
		0.1		0.2		0.3		0.4		0.5		0.6		0.7		0.8	
		CFM	HEAT RISE	CFM	HEAT RISE	CFM	HEAT RISE	CFM	HEAT RISE	CFM	HEAT RISE	CFM	HEAT RISE	CFM	HEAT RISE	CFM	HEAT RISE
X24K	Tap T1*	990	32	790	40	560	56	540	59								
	Tap T2**	1040	30	850	37	600	53	550	57	500	63						
	Tap T3	1080	29	920	34	800	39	720	44	680	46	620	51	570	55	520	61
	Tap T4***	1160	27	1100	29	1040	30	1000	32	960	33	900	35	850	37	820	39
	Tap T5	1330	24	1300	24	1250	25	1200	26	1170	27	1130	28	1080	29	1030	31
X36K	Tap T1*	1020	31	840	38	600	53	500	63								
	Tap T2	1060	30	900	35	750	42	700	45	650	49	600	53	540	59	500	63
	Tap T3**	1280	25	1240	25	1200	26	1180	27	1140	28	1100	29	1070	30	1010	31
	Tap T4***	1480	21	1450	22	1420	22	1390	23	1360	23	1320	24	1290	24	1240	25
	Tap T5	1580	20	1550	20	1520	21	1480	21	1450	22	1420	22	1380	23	1350	23
X48	Tap T1*	1150	27	1090	29	1030	31	1000	32	950	33	900	35	850	37	800	39
	Tap T2	1300	24	1270	25	1240	25	1200	26	1160	27	1120	28	1090	29	1050	30
	Tap T3***	1460	22	1430	22	1400	23	1370	23	1340	24	1300	24	1250	25	1200	26
	Tap T4**	1520	21	1480	21	1450	22	1420	22	1390	23	1360	23	1330	24	1300	24
	Tap T5	1740	18	1710	18	1680	19	1650	19	1620	20	1590	20	1540	21	1500	21
X60	Tap T1	1150	27	1100	29	1060	30	1030	31	980	32	950	33	900	35	870	36
	Tap T2*	1250	25	1200	26	1170	27	1150	27	1130	28	1100	29	1060	30	1020	31
	Tap T3***	1560	20	1530	21	1500	21	1470	21	1450	22	1420	22	1390	23	1360	23
	Tap T4**	1750	18	1700	19	1670	19	1630	19	1600	20	1580	20	1560	20	1530	21
	Tap T5	1960	16	1930	16	1900	17	1860	17	1830	17	1800	18	1770	18	1740	18

NOTES:

Temperature rises shaded gray are for reference only. These conditions are not recommended.

* Denotes factory set low cooling & heating speed.

** Denotes factory set high cooling & heating speed.

*** Denotes factory set electric heating speed.

Table 27. Q5RF Series Blower Data - (Small Pack)

Q6SD SERIES (SINGLE PHASE)													
UNIT	BLOWER SETTING	External Static Pressure Drop - inches water column											
		0.1		0.2		0.3		0.4		0.5		0.6	
		CFM	HEAT RISE	CFM	HEAT RISE	CFM	HEAT RISE	CFM	HEAT RISE	CFM	HEAT RISE	CFM	HEAT RISE
X24	Tap T1*	1110	28	869	36	529	60						
	Tap T2**	1211	26	996	32	700	45	609	52				
	Tap T3	1400	23	1350	23	1200	26	1150	27	1080	29	1030	31
	Tap T4	1600	20	1500	21	1400	23	1300	24	1200	26	1050	30
	Tap T5	1700	19	1650	19	1600	20	1565	20	1530	21	1480	21
X30	Tap T1**	1211	26	996	32	700	45	609	52				
	Tap T2*	1275	25	1077	29	940	34	876	36	807	39	732	43
	Tap T3	1400	23	1350	23	1200	26	1150	27	1080	29	1030	31
	Tap T4	1600	20	1500	21	1400	23	1300	24	1200	26	1050	30
	Tap T5	1700	19	1650	19	1600	20	1565	20	1530	21	1480	21
X36	Tap T1**	1150	27	1050	30	1000	32	950	33	850	37	780	41
	Tap T2	1230	26	1190	27	1120	28	1080	29	1000	32	950	33
	Tap T3*	1464	22	1394	23	1332	24	1272	25	1216	26	1143	28
	Tap T4	1600	20	1500	21	1400	23	1300	24	1200	26	1050	30
	Tap T5	1700	19	1650	19	1600	20	1565	20	1530	21	1480	21
X42	Tap T1**	1150	27	1050	30	1000	32	950	33	850	37	780	41
	Tap T2	1230	26	1190	27	1120	28	1080	29	1000	32	950	33
	Tap T3	1400	23	1350	23	1200	26	1150	27	1080	29	1030	31
	Tap T4*	1524	21	1476	21	1424	22	1379	23	1329	24	1268	25
	Tap T5	1700	19	1650	19	1600	20	1565	20	1530	21	1480	21
X48	Tap T1*	1515	21	1450	22	1380	23	1350	23	1300	24	1250	25
	Tap T2**	1580	20	1520	21	1460	22	1400	23	1360	23	1300	24
	Tap T3	1740	18	1690	19	1650	19	1600	20	1540	21	1500	21
	Tap T4	1960	16	1910	17	1840	17	1820	17	1780	18	1740	18
	Tap T5	2090	15	2050	15	2010	16	1975	16	1940	16	1900	17
X60	Tap T1	1515	21	1450	22	1380	23	1350	23	1300	24	1250	25
	Tap T2**	1580	20	1520	21	1460	22	1400	23	1360	23	1300	24
	Tap T3*	1740	18	1690	19	1650	19	1600	20	1540	21	1500	21
	Tap T4	1960	16	1910	17	1840	17	1820	17	1780	18	1740	18
	Tap T5	2090	15	2050	15	2010	16	1975	16	1940	16	1900	17

NOTES:

Temperature rises shaded gray are for reference only. These conditions are not recommended.

* Denotes factory set coling speed

** Denotes factory set electric heating speed

Table 28. Q6SD Series Blower Data - (Single Phase Models)

Q6SD SERIES (3 PHASE)													
Unit	Blower Setting	External Static Pressure Drop - inches water column											
		0.1		0.2		0.3		0.4		0.5		0.6	
		CFM	HEAT RISE	CFM	HEAT RISE	CFM	HEAT RISE	CFM	HEAT RISE	CFM	HEAT RISE	CFM	HEAT RISE
X36	Tap T1**	1150	25	1050	27	1000	28	950	30	850	33	780	36
	Tap T2	1230	23	1190	24	1120	25	1080	26	1000	28	950	30
	Tap T3*	1464	19	1394	20	1332	21	1272	22	1216	23	1143	25
	Tap T4	1600	18	1500	19	1400	20	1300	22	1200	24	1050	27
	Tap T5	1700	17	1650	17	1600	18	1565	18	1530	19	1480	19
X48	Tap T1*	1515	19	1450	20	1380	21	1350	21	1300	22	1250	23
	Tap T2**	1580	18	1520	19	1460	19	1400	20	1360	21	1300	22
	Tap T3	1740	16	1690	17	1650	17	1600	18	1540	18	1500	19
	Tap T4	1960	15	1910	15	1840	15	1820	16	1780	16	1740	16
	Tap T5	2090	14	2050	14	2010	14	1975	14	1940	15	1900	15
X60	Tap T1	1515	19	1450	20	1380	21	1350	21	1300	22	1250	23
	Tap T2**	1580	18	1520	19	1460	19	1400	20	1360	21	1300	22
	Tap T3*	1740	16	1690	17	1650	17	1600	18	1540	18	1500	19
	Tap T4	1960	15	1910	15	1840	15	1820	16	1780	16	1740	16
	Tap T5	2090	14	2050	14	2010	14	1975	14	1940	15	1900	15

NOTES:

Temperature rises shaded gray are for reference only. These conditions are not recommended.

* Denotes factory set coling speed

** Denotes factory set electric heating speed

Table 29. Q6SD Series Blower Data - (3 Phase Models)



INSTALLER
PLEASE LEAVE THESE INSTALLATION INSTRUCTIONS WITH THE UNIT OWNER.



Specifications & illustrations subject to change without notice or incurring obligations.
 O' Fallon MO | Printed in U.S.A. (07/10)



7091620 (Replaces 708340B)