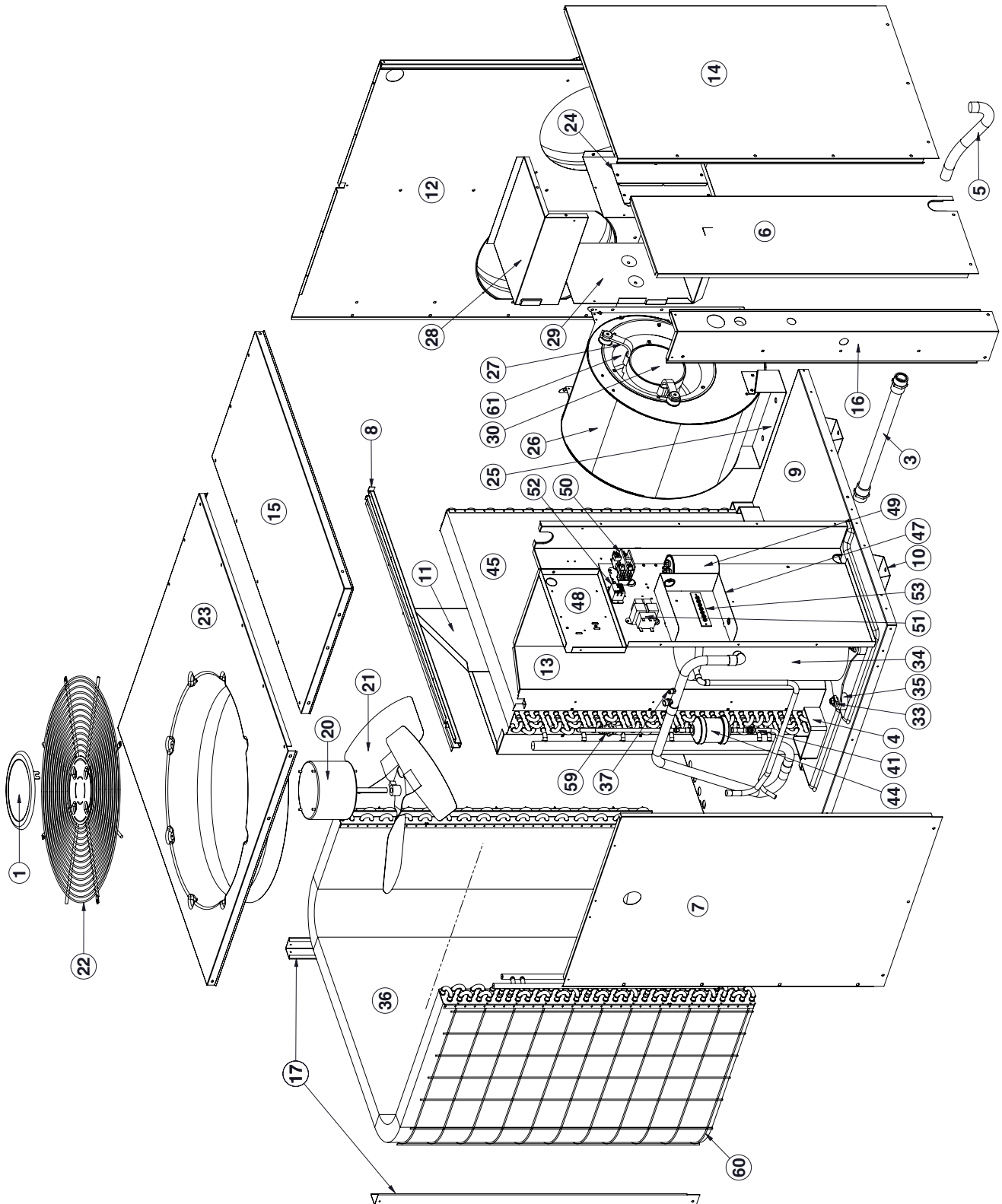


**REPLACEMENT PARTS LIST**

**SINGLE PACKAGE AIR CONDITIONER**

**PPA2RFXKA SERIES**

**15 SEER MODELS**



## PPA2RFXKA SERIES SINGLE PACKAGE AIR CONDITIONER, 15 SEER

ITEM	DESCRIPTION	PPA2RFX24KA	PPA2RFX36KA	PPA2RFX48KA	PPA2RFX60KA
		920880PA	920881PA	920882PA	920883PA
1	CAP, TOP, FAN, GRILLE, STERLING	275291	275291	275291	275291
2	BRACKET, TERMINAL BLOCK (NOT SHOWN)	2B3441	2B3441	2B3441	2B3441
	BRACKET, MOUNTING, OD ECM (NOT SHOWN)	—	—	2B2151	2B2151
3	DRAIN TUBE ASSY	663713	663713	663713	663713
4	PAN, DRAIN	669187	669187	669187	669187
5	P—TRAP, 1—1/2"	669211	669211	669211	669211
6	COVER, CONTROL PANEL	D02873BR	D02873BR	D02875BR	D02875BR
7	COVER, COMPRESSOR	D02893BR	D02893BR	D02895BR	D02895BR
8	CHANNEL, DRAIN	D03290	D03290	D03290	D03290
9	BOTTOM PAN ASSY.	D03430R	D03430R	D03430R	D03431R
10	RAIL, BASE	D03420	D03420	D03420	2B4201
11	DIVIDER PANEL ASSY.	D03443R	D03443R	D03445R	D03445R
12	ASSY, PANEL, REAR	D03465BR	D03465BR	D03469BR	D03469BR
13	BLOWER DIVIDER ASSY.	D03483R	D03483R	—	—
	ASSY,PANEL,BLOWER,DIVIDER	—	—	D03485R	D03485R
14	BLOWER PANEL ASSY.	D03523BR	D03523BR	—	—
	ASSY, PANEL, BLOWER COVER	—	—	D03525BR	D03525BR
15	TOP PAN ASSY. — LEFT	D03570BR	D03570BR	D03570BR	D03570BR
16	PANEL, CORNER	D04363BR	D04363BR	D04365BR	D04365BR
17	POST, CORNER	D09993BR	D09993BR	D09999BR	D09999BR
18	BLANKET, SOUND (NOT SHOWN)	689792	689792	689793	689793
19	PAINT, BRONZE, TOUCH UP	904038	904038	904038	904038
20	MTR, FAN, PSC	622080	621721	—	—
	MTR, FAN, FTV	—	—	622655	622655
	MTR, CONTROLLER	—	—	622443	622443
21	FAN BLADE	667406	667406	667369	667319
22	GRILLE, TOP, 24", BLACK	669404	669404	669404	—
	GRILLE, FAN, 24", BLACK	—	—	—	699335
23	TOP PAN ASSY. —RIGHT	D07090BR	D07090BR	D07090BR	2B1911BR
24	PLATE, CLOSE—OFF, ELEC HT	226420	226420	226420	226420
25	FOOT, BLOWER	262970	262970	262970	262970
26	BLOWER HSG ASSY, 9/10X8	297212R	297212R	297212R	297212R
27	ARM, MOTOR MOUNT—11" B.C.	668928	668928	668928	668928
28	COVER, BOX	D03340	D03340	D03340	D03340
29	TRANSITION, BLOWER	D03350	D03350	D03350	D03350
30	MOTOR, PROG. 1/2HP ( 2 TON & 3 TON )	M0089501	M0089502	—	—
	MOTOR, PROG. 3/4HP ( 4 TON & 5 TON )	—	—	M0089503	M0089504
31	NUT, HEX, 8—32, DBL THICK, BLACK (NOT SHOWN)	606261	606261	606261	606261
32	MODULE, HAIL GUARD (NOT SHOWN)	917206	917206	917206	917206
33	BOLT, COMP, METAL, REVERSE — TAPER	600400	600400	600400	600400
34	COMP, COPE, ZPS20K5E—PFV—130, 2 TON	622653	—	—	—
	COMP, COPE, ZPS30K5E—PFV—130 , 3 TON	—	622635	—	—
	COMP, COPE, ZPS40K5E—PFV—130 , 4 TON	—	—	622606	—
	COMP, COPE, ZPS49K5E—PFV—130 , 5 TON	—	—	—	622652

Please specify the correct Model No., Serial No., and part no(s) when ordering parts from the nearest authorized dealer or service center.

## PPA2RFXKA SERIES SINGLE PACKAGE AIR CONDITIONER, 15 SEER

ITEM	DESCRIPTION	PPA2RFX24KA	PPA2RFX36KA	PPA2RFX48KA	PPA2RFX60KA
		920880PA	920881PA	920882PA	920883PA
35	GROMMET, COMPRESSOR, SCROLL	668530	668530	668530	668530
36	COIL, OUTDOOR	2B3371R	2B3391R	2B3081R	2B1991R
37	CORE, CHARGING PORT	662103	662103	662103	662103
38	FITTING, ACCESS (NOT SHOWN)	663812	663812	663812	663812
39	CAP, SERVICE PORT, BRASS (NOT SHOWN)	663818	663818	663818	663818
40	CAP, SERVICE VALVE, R410A (NOT SHOWN)	664127	664127	664127	664127
41	PORT, HI FLOW, 3/8", R—410, A STYL	664329	664329	664329	664329
42	CORE, PORT, HI FLOW, BRASS (NOT SHOWN)	664331	664331	664331	664331
43	BRACKET, FILTER/DRIER (NOT SHOWN)	2A9351	2A9351	2A9351	2A9351
44	DRIER, FILTER, UNIFLW, 8 IN <sup>3</sup> , BLK	669764	669764	669764	669764
45	COIL, INDOOR	2B3381R	2B3411R	2A9661R	2A9661R
46	VALVE, TXV	669845	669845	669821	669881
47	DIVIDER, LOW VOLTAGE	263200	263200	263200	263200
48	PANEL, CONTROL	271793	271793	271795	271795
49	CAPAC, RUN 35/5/370	620762	—	—	—
	CAPAC, RUN 40/7.5/370	—	620888	—	—
	CAPAC, RUN 45/7.5/370	—	—	620777	—
	CAPAC, RUN 80/7.5/370	—	—	—	620968
50	CONTACTOR, 1 POLE 25A	621661	621661	—	—
	CONTACTOR, 1 POLE 35A	—	—	621662	621662
51	TRANSFORMER 30 VA	621708	621708	—	—
	TRANSFORMER 40 VA	—	—	621709	621709
52	RELAY, SPDT	621931	621931	621931	621931
53	TERMINAL BOARD, LV—7 PIN	632362	632362	632362	632362
54	SOW, P5RF, X13, 230V, 1PH, 2 TON & 3 TON (NOT SHOWN)	M0058412	M0058412	—	—
	SOW, P5RF, X13, 230V, 4 TON (NOT SHOWN)	—	—	M0058414	—
	SOW, P5RF, X13, 230V, 5 TON (NOT SHOWN)	—	—	—	M0058415
55	SWITCH, LOW PRESS (NOT SHOWN)	632393	632393	632393	632393
56	SWITCH, HIGH PRESSURE (NOT SHOWN)	632401	632401	632401	632401
57	PLUG, MOLDED, LV	634682	634682	634682	634682
58	PLUG, MOLDED, HV	634660	634660	634660	634660
59	DIST, BODY, 4CIR	663581	—	—	—
	DIST, BODY, 5CIR	—	663582	—	—
	DIST, BODY, 8CIR	—	—	663586	663586
60	GUARD, COIL	2A8154	2A8154	2A8156	2B4831
61	WHEEL, BLWR, CW 9 X 7.5	667294	667294	—	—
	WHEEL, BLOWER CW 10 X 8	—	—	667037	667037

Please specify the correct Model No., Serial No., and part no(s) when ordering parts from the nearest authorized dealer or service center.

