

# QUICK REFERENCE DATA

## NS6BD Series - Residential Split System Air Conditioner

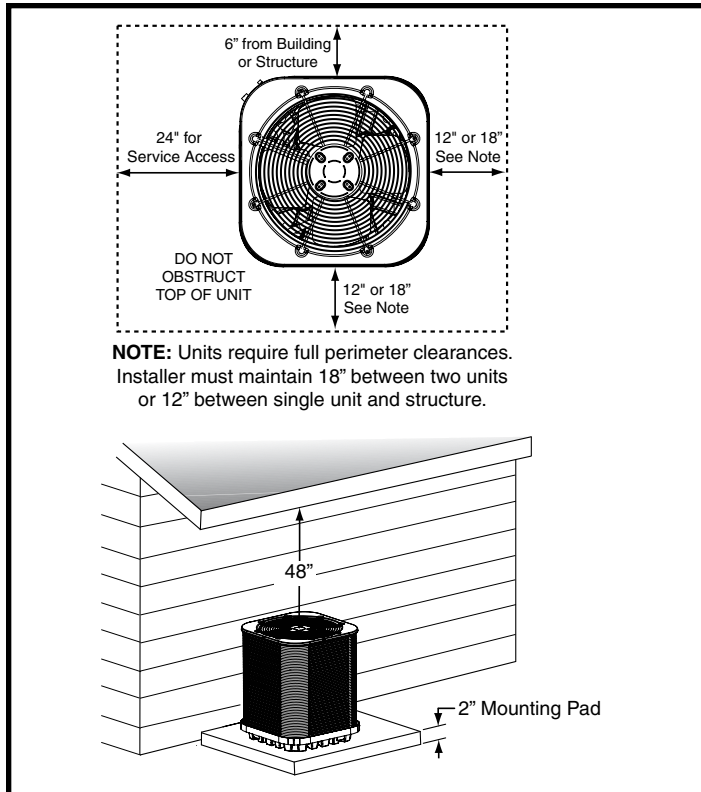
MODEL NUMBER NS6BD-			018KA	024K	030K	036K	042KA	048KA	060KA
<b>Electrical Data</b>	Volts-Cycles Phase (1)		208/230-60-1						
	Total Amps		8.2	10.3	10.8	16.4	19.4	23.2	27.8
	Delay Fuse Max. (2)		15	20	20	35	40	50	60
	Min. Circuit Ampacity		10.1	12.7	13.3	20.1	23.9	28.7	34.4
<b>Component Data</b>	Coil	Area	10.0	10.0	10.0	13.3	15.3	15.3	17.9
		Rows-FPI	1-23	1-23	1-23	1-23	1-18	1-18	1-18
		Tube Dia.	Microchannel						
	Fan Motor	Type	PSC						
		Amps	0.35	0.7	0.7	1.4	1.5	1.5	1.5
		HP	0.05	0.1	0.1	0.25	0.25	0.25	0.25
	Compressor Data	RLA	7.8	9.6	10.1	15.0	17.9	21.8	26.4
LRA		45	61	60	88	112	117	134	
<b>REFRIGERANT SUCTION LINE O.D</b>		15 - 24 ft.	3/4"	3/4"	3/4"	3/4"	7/8"	7/8"	7/8"
<b>NOTE:</b> Liquid line is 3/8" O.D. for entire length.		25 - 39 ft.	3/4"	3/4"	3/4"	7/8"	7/8"	7/8"	1-1/8" (4)
		40 - 75 ft.	3/4"	3/4"	3/4"	7/8"	7/8"	7/8"	1-1/8" (4)
<b>REFRIGERANT CHARGE</b> R-410A in ounces for outdoor unit & 15' Lineset. (5)			43	52	54	59	59	60	69.6
<b>APPROXIMATE WEIGHT (LBS.)</b>		Net	109	113	116	135	179	179	188
		Ship	114	118	121	140	187	187	197

- (1) Operating Voltage Range: 187v min. — 253v max.
- (2) HACR Type Circuit Breakers may be used.
- (3) Requires 7/8" to 3/4" reducer from line to unit.
- (4) Requires 7/8" to 1-1/8" reducer from line to unit.
- (5) Additional charge for line sets above 15 feet. Values based on suction line as follows with 3/8" liquid line.
  - (a) 3/4" = 0.6 oz. per additional foot.
  - (b) 7/8" = 0.7 oz. per additional foot.
  - (c) 1 1/8" = 0.8 oz. per additional foot.

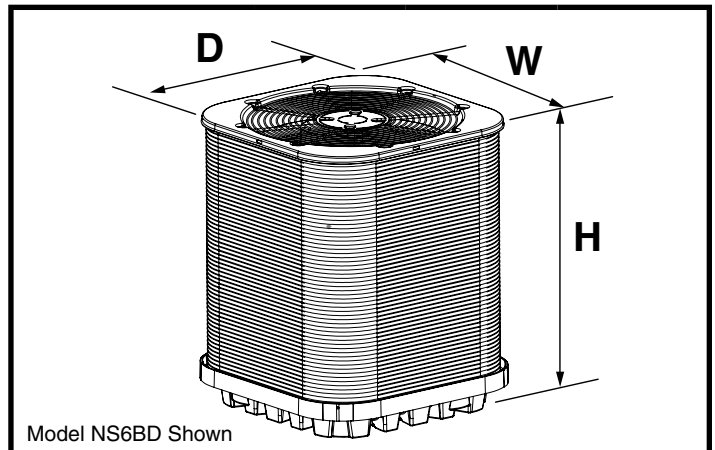
**Table 1. Electrical Specifications & Physical Data**

Thermostat Wire Gauge	Recommended T-Stat Wire Unit to T-Stat (Length in FT)	
	2-Wire (Heating)	5-Wire (Heating/Cooling)
24	55	25
22	90	45
20	140	70
18	225	110

**Table 2. Thermostat Wire Gauge**



**Figure 1. Clearance Requirements**



MODEL NUMBER	HEIGHT (H)	WIDTH (W)	DEPTH (D)
NS6BD-018KA	27 1/2"	22 3/4"	22 3/4"
NS6BD-024K	27 1/2"	22 3/4"	22 3/4"
NS6BD-030K	27 1/2"	22 3/4"	22 3/4"
NS6BD-036K	35 1/2"	22 3/4"	22 3/4"
NS6BD-042KA	27 1/2"	30 3/4"	30 3/4"
NS6BD-048KA	27 1/2"	30 3/4"	30 3/4"
NS6BD-060KA	31 1/2"	30 3/4"	30 3/4"

**Table 3. Unit Dimensions**

**Instructions:**

1. Find the column for the model of outdoor unit that is being installed.
2. Find the row for the model of the indoor unit that is being installed.
3. Find the cell in the table in which this row and column meet. In this cell the appropriate orifice / TXV and charge addition for this match are listed. If the text in this cell is BOLD, then a change of orifice is necessary.
4. If a change in restrictor is necessary, then the appropriate restrictor will already be supplied with the outdoor unit.

**Examples:**

- For the NS6BD-024K / B6BMM024K-B match, the appropriate restrictor is the .055" and 5 ounces of charge will need to be added (CHANGE IN CHARGE).
- For the NS6BD-018KA / C8(B,D)AM01830U-B match, the restrictor will be changed to .054" and 24 ounces of charge will need to be added (CHANGE IN CHARGE and RESTRICTOR).

MODEL NUMBER: NS6BD		018KA	024K	030K	036K	042KA	048KA	060KA
ID RESTRICTOR SUPPLIED WITH OD UNIT:		0.050, 0.054	0.055	0.058, 0.061	0.067, 0.069	0.071, 0.072	0.076, 0.077	0.087
OUTDOOR UNIT BOM CHARGE (OZ.)		43	52	54	59	59	60	69.6
MODELS	SUPPLIED WITH ID	REQUIRED RESTRICTOR (OR TXV / CHARGE ADDITION (OZ) / RATED AIRFLOW (SCFM))						
<b>GB5BM-0</b>								
GB5BM-024K-A	0.055	--	0.055 (26 / 875)	--	--	--	--	--
GB5BM-024K-B	0.055	--	0.055 (26 / 900)	--	--	--	--	--
GB5BM-030K-A	0.065	--	--	0.065 (26 / 750)	--	--	--	--
GB5BM-030K-B	0.065	--	--	0.065 (26 / 875)	--	--	--	--
GB5BM-036K-B	0.073	--	--	--	0.073 (30 / 1140)	--	--	--
<b>GB5BMM</b>								
GB5BMM024K-A	0.055	--	0.055 (5 / 700)	--	--	--	--	--
GB5BMM024K-B	0.055	--	0.055 (5 / 715)	--	--	--	--	--
GB5BMM030K-A	0.062	--	--	0.058 (7 / 915)	--	--	--	--
GB5BMM030K-B	0.062	--	--	0.058 (7 / 915)	--	--	--	--
GB5BMM042K-B	0.074	--	--	--	0.069 (2 / 1225)	--	--	--
<b>B5BM-X</b>								
B5B(M,V)-X24K-A	669564	--	669564 (26 / 875)	--	--	--	--	--
B5B(M,V)-X24K-B	669564	--	669564 (26 / 900)	--	--	--	--	--
B5B(M,V)-X30K-A	669565	--	--	669565 (26 / 750)	--	--	--	--
B5B(M,V)-X30K-B	669565	--	--	669565 (26 / 875)	--	--	--	--
B5B(M,V)-X36K-B	669566	--	--	--	669566 (30 / 1140)	--	--	--
<b>B6BMM0</b>								
B6BMM024K-A	0.055	0.055 (0 / 605)	0.055 (5 / 700)	--	--	--	--	--
B6BMM024K-B	0.055	0.055 (0 / 605)	0.055 (5 / 715)	--	--	--	--	--
B6BMM030K-A	0.062	--	--	0.058 (7 / 915)	--	--	--	--
B6BMM030K-B	0.062	--	--	0.058 (7 / 915)	--	--	--	--
B6BMM042K-B	0.074	--	--	--	0.069 (2 / 1225)	0.072 (0 / 1370)	--	--
B6BMM048K-B	0.079	--	--	--	--	--	0.079 (2 / 1355)	--
B6BMM048K-C	0.079	--	--	--	--	--	0.079 (2 / 1630)	--
B6BMM060K-C	0.087	--	--	--	--	--	--	0.087 (0 / 1950)

**NOTES:**

- The charges listed are only valid for the standard 15' lineset.
- Numbers listed as 0.\*\*\* are restrictor diameters, while numbers listed as 669\*\*\* are TXV part numbers.

**Table 4. Restrictor or TXV / Charge Addition (Oz)**

**Instructions:**

1. Find the column for the model of outdoor unit that is being installed.
2. Find the row for the model of the indoor unit that is being installed.
3. Find the cell in the table in which this row and column meet. In this cell the appropriate orifice / TXV and charge addition for this match are listed. If the text in this cell is BOLD, then a change of orifice is necessary.
4. If a change in restrictor is necessary, then the appropriate restrictor will already be supplied with the outdoor unit.

**Examples:**

- For the NS6BD-024K / B6BMM024K-B match, the appropriate restrictor is the .055" and 5 ounces of charge will need to be added (CHANGE IN CHARGE).
- For the NS6BD-018KA / C8(B,D)AM01830U-B match, the restrictor will be changed to .054" and 24 ounces of charge will need to be added (CHANGE IN CHARGE and RESTRICTOR).

MODEL NUMBER: NS6BD		018KA	024K	030K	036K	042KA	048KA	060KA
ID RESTRICTOR SUPPLIED WITH OD UNIT:		0.050, 0.054	0.055	0.058, 0.061	0.067, 0.069	0.071, 0.072	0.076, 0.077	0.087
OUTDOOR UNIT BOM CHARGE (OZ.)		43	52	54	59	59	60	69.6
MODELS	SUPPLIED WITH ID	REQUIRED RESTRICTOR OR TXV / CHARGE ADDITION (OZ) / RATED AIRFLOW (SCFM)						
<b>B6BW</b>								
B6BW-018K(*)	0.056	<b>0.050 (3 / 620)</b>	--	--	--	--	--	--
B6BW-024K(*)	0.057	--	0.057 (0 / 850)	--	--	--	--	--
B6BW-030K(*)	0.060	--	--	0.060 (0 / 950)	--	--	--	--
B6BW-036K(*)	0.069	--	--	--	0.069 (0 / 1080)	--	--	--
<b>C5</b>								
C5(Q,D)A-X25U-B	669564	--	669564 (26 / 800)	--	--	--	--	--
C5(Q,D)A-X30U-B	669565	--	--	669565 (26 / 900)	--	--	--	--
C5(Q,D)A-X36U-B	669566	--	--	--	669566 (30 / 1140)	--	--	--
C5(Q,D)A-X37U-B	669566	--	--	--	669566 (30 / 1140)	--	--	--
<b>C8</b>								
C8(B,D)AM01830U-B	0.061	<b>0.054 (24 / 650)</b>	<b>0.055 (0 / 805)</b>	0.061 (3 / 930)	--	--	--	--
C8(B,D)AM036U-B	0.067	--	--	--	0.067 (2 / 1245)	--	--	--
<b>CM4</b>								
CM4B-53U	TXV	--	--	--	--	TXV (22 / 1250)	--	--
CM4B-54U	TXV	--	--	--	--	--	TXV (16 / 1450)	TXV (36 / 1450)
CM4B-56U	TXV	--	--	--	--	--	TXV (26 / 1600)	TXV (36 / 1600)

**NOTES:**

- The charges listed are only valid for the standard 15' lineset.
- Numbers listed as 0.\*\*\* are restrictor diameters, while numbers listed as 669\*\*\* are TXV part numbers.

**Table 4. Restrictor or TXV / Charge Addition (Oz) - Continued**

