

QUICK REFERENCE DATA

*T4BD Series - Residential Split System Heat Pump

MODEL NUMBER: *T4BD			042KA	048KA	060KA
ELECTRICAL DATA	Volts-Cycles-Phase (1)		208/230-60-1		
	Total Amps		19.4	21.3	27.7
	Delay Fuse Max. (2)		40	45	60
	Min. Circuit Ampacity		23.9	26.3	34.3
COMPONENT DATA	Coil	Area	25.0	24.4	24.4
		Rows-FPI	1-14	1-16	1-16
		Tube Dia	MC		
	Fan Motor	Type	PSC		
		Amps	1.5	1.5	1.5
		HP	0.25	0.25	0.25
	Compressor Data	RLA	17.9	19.8	26.2
		LRA	112.0	109.0	134.0
0-24 ft.		7/8"	7/8"	7/8"	
RECOMMENDED REFRIGERANT SUCTION LINE O.D NOTE: Liquid line is 3/8" O.D. for entire length.		25-39 ft.	7/8"	7/8"	1-1/8" (3)
		40-75 ft.	7/8"	7/8"	1-1/8" (3)
		REFRIGERANT CHARGE: R-410A in ounces for outdoor unit & 15' lineset. (4)		113.0	115.0
APPROXIMATE WEIGHT (LBS.)		Net	182	204	206
		Ship	191	213	215

- (1) Operating Voltage Range: 187v min. — 253v max.
 - (2) HACR Type Circuit Breakers may be used.
 - (3) Requires 7/8" to 1-1/8" adapter from unit to line.
 - (4) Additional charge for line sets above 15 feet. Values based on suction line as follows with 3/8" liquid line.
 - (a) 3/4" = 0.6 oz. per additional foot.
 - (b) 7/8" = 0.7 oz. per additional foot.
 - (c) 1 1/8" = 0.8 oz. per additional foot.
- * For other line set dimensions, refer to the Application Guidelines for Refrigerant Lines Addendum

WIRE GAUGE	RECOMMENDED MAXIMUM WIRE LENGTH (FT) FROM UNIT TO THERMOSTAT
22	45
20	70
18	115
16	180

Table 1. Electrical Specifications & Physical Data

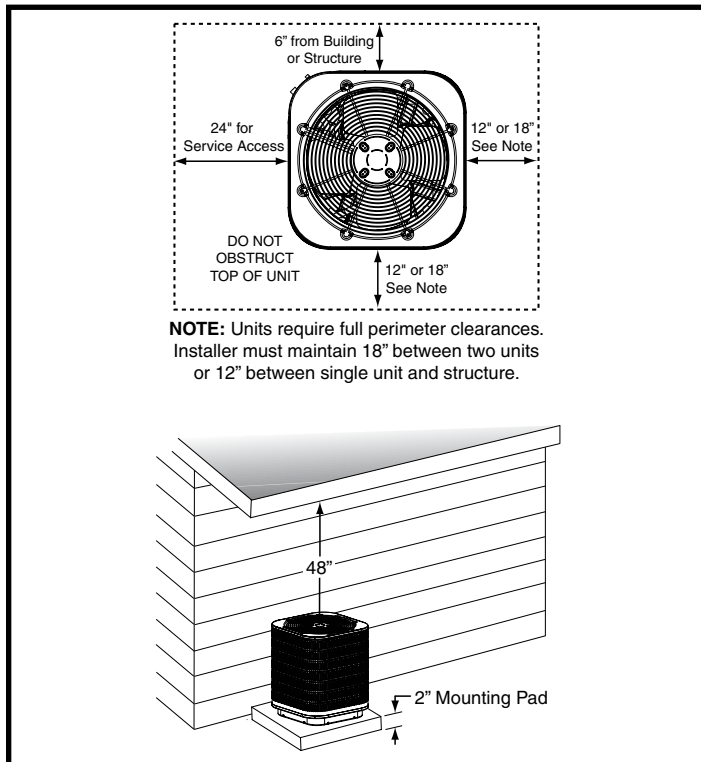


Figure 1. Clearance Requirements

Table 2. Control Wiring (24V)

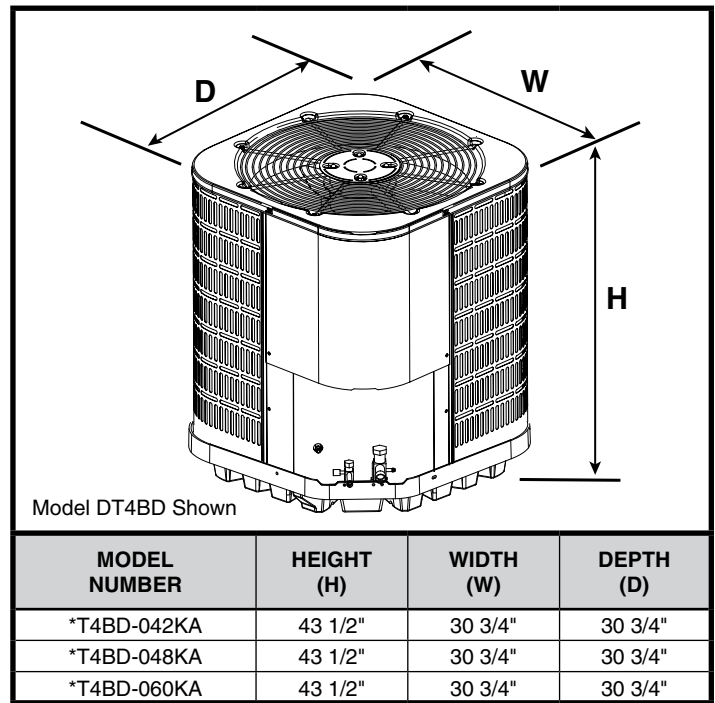


Table 3. Unit Dimensions

Instructions:

1. Find the column for the model of outdoor unit that is being installed.
2. Find the row for the model of the indoor unit that is being installed.
3. Find the cell in the table in which this row and column meet. In this cell the appropriate orifice / TXV and charge addition for this match are listed. If the text in this cell is BOLD, then a change of orifice is necessary.
4. If a change in restrictor is necessary, then the appropriate restrictor will already be supplied with the outdoor unit.

Examples:

- For the *T4BD-042KA / B6BMM042K-B match the restrictor needs to be changed to the .072" and 4 ounces of additional charge will need to be added (CHANGE IN CHARGE AND ORIFICE).
- For the *T4BD-048KA / B6EMMX48K-C match the appropriate TXV is the 669852, the appropriate outdoor restrictor is the 0.062", and no additional refrigerant will need to be added (CHANGE IN OUTDOOR ORIFICE).

MODEL NUMBER: *T4BD		042KA	048KA	060KA
ID RESTRICTOR SUPPLIED WITH OD UNIT:		0.072, 0.073	0.076	0.091
OD RESTRICTOR SUPPLIED WITH OD UNIT:		0.058	0.059	0.074
OUTDOOR UNIT BOM CHARGE (OZ.)		113	115	114
MODELS	SUPPLIED WITH ID	REQUIRED RESTRICTOR OR TXV (CHARGE ADDITION (OZ) / RATED AIRFLOW-SCFM)		
B6BMM0				
B6BMM042K-B	0.074	0.072 (4 / 1340)	--	--
B6BMM060K-C	0.087	--	0.076 (4 / 1555)	0.091 (3 / 1615)
B6EM				
B6EMMX42K-B	669567	669567 (10 / 1375)	--	--
B6EMMX48K-C	669852	--	669852 (0 / 1510)	--
B6EMMX60K-C	669578	--	--	669578 (0 / 1545)
C7-0				
C7B(A,H)M03642(C,U)-B	0.071	0.073 (0 / 1290)	--	--
C7B(A,H)M03648(C,U)-C	0.067	0.073 (0 / 1290)	--	--
C7B(A,H)M042(C,U)-D	0.071	0.073 (0 / 1290)	--	--
C7B(A,H)M048(C,U)-C	0.077	--	0.076 (4 / 1555)	--
C7B(A,H)M048(C,U)-D	0.077	--	0.076 (4 / 1555)	--
C7B(A,H)M060(C,U)-C	0.083	--	--	0.091 (3 / 1615)
C7B(A,H)M060(C,U)-D	0.083	--	--	0.091 (3 / 1615)
B6VMMX				
B6VMMX42K-B	669567	669567 (10 / 1375)	--	--
B6VMMX48K-C	669568	--	669568 (0 / 1510)	--
B6VMMX60K-C	669578	--	--	669578 (0 / 1545)

NOTES

- The charges listed are only valid for the standard 15' lineset.
- Numbers listed as 0.*** are restrictor diameters, while numbers listed as 669*** are TXV part numbers.
- Gray cells require the outdoor restrictor to be changed as well. See Table 5.

Table 4. Restrictor or TXV / Charge Addition (Oz)

OD UNIT	ID UNIT	FACTORY INSTALLED RESTRICTOR	CORRECT OUTDOOR RESTRICTOR
*T4BD-042KA	B6EMMX42K-B	0.058	0.055
*T4BD-042KA	B6VMMX42K-B	0.058	0.055
*T4BD-048KA	B6EMMX48K-C	0.059	0.062
*T4BD-048KA	B6VMMX48K-C	0.059	0.062
*T4BD-060KA	B6EMMX60K-C	0.074	0.076
*T4BD-060KA	B6VMMX60K-C	0.074	0.076

Table 5. *T4BD Outdoor Restrictor Changes

