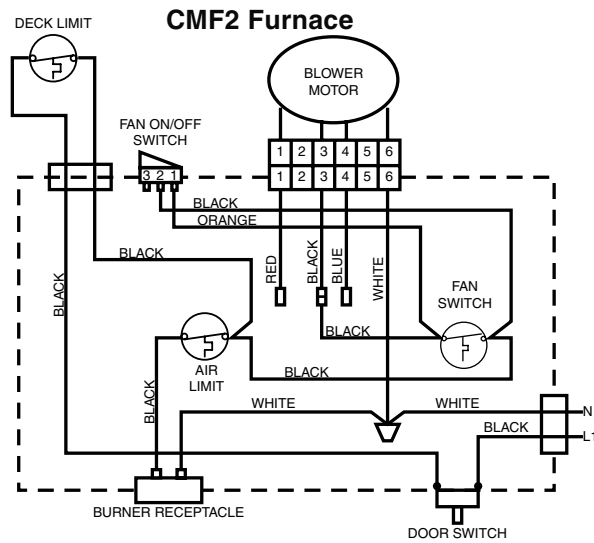


WIRING DIAGRAM

CMF2 Furnace Series

NOTES:

1. Incoming power must be polarized. Observe color coding. (See furnace data label for electrical information.)
2. If any of the original wires (as supplied with the appliance) must be replaced, use 105°C Thermoplastic type wire or its equivalent.
3. Use copper conductors only.



Blower speed Setting Shown is the High Speed (see table)

Blower Wire Color	Blower Speed
Red	Low
Blue	Med.
Black	High

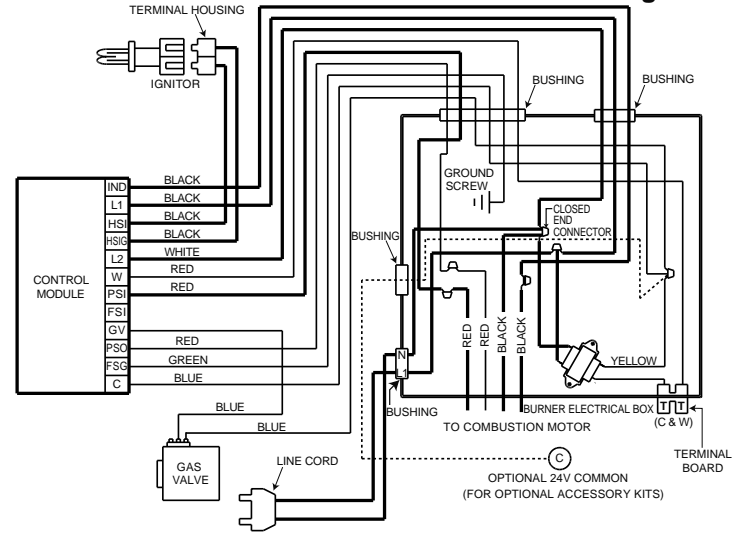
LEGEND:

FIELD WIRING	---
LOW VOLTAGE	---
HIGH VOLTAGE	---

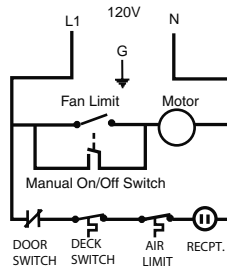
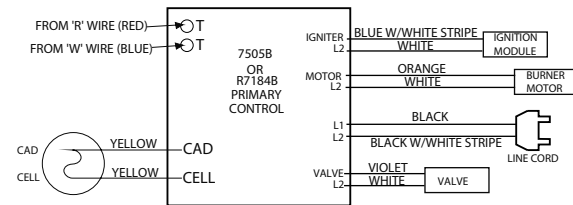
120 Volt

Single Phase / 60 Hz

Model PGB-DI Power Gas Burner "Direct Ignition"



OIL GUN BURNER



710972A

(Replaces 7109720
0909)

