

WIRING DIAGRAM

M1B & M5S Furnace Series

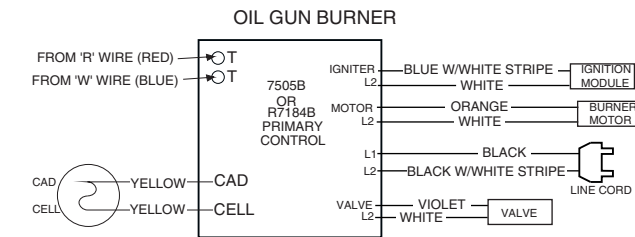
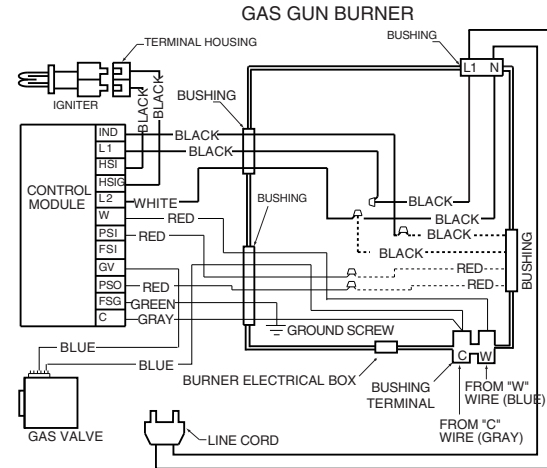
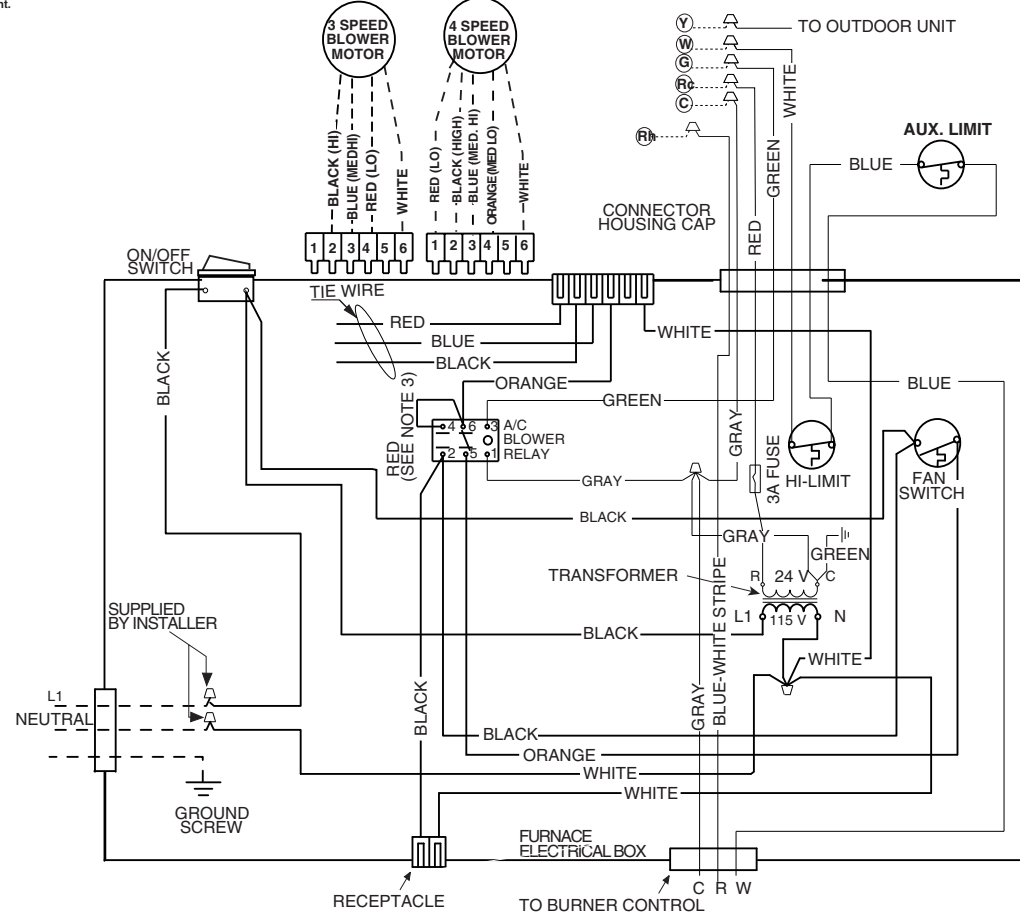
120 Volt

Single Phase / 60 Hz

NOTES:

- Incoming power must be polarized. Observe color coding. (See furnace data label for electrical information.)
- If any of the original wires (as supplied with the appliance) must be replaced, use 105°C Thermoplastic type wire or its equivalent.
- On models M1(B,S)A and M1/M5(B,S)086 jumper wire is installed. On all other models, cooling speed is connected to black wire.
- A/C Heating Speeds: Refer to Table 12, A/C Blower Selection
- If any of the original wire supplied with the appliance is replaced, use 105°C wire or equivalent.

- Use copper conductors only.
- Flash Codes: Refer to Table 9, Control Module Status Indicators.
- For M5 installations paired with thermostats without RH and RC connections, please refer to the wiring diagram and the installation instructions supplied in the kit [P/N 1018453]. NOTE: For units with kit [P/N 1018453], the RH terminal on the furnace is not used; RC on the furnace connects to the thermostat.
- For M1 models, Rh from the furnace is not connected; RC of the furnace connects to the thermostat.



LEGEND:

FIELD WIRING	---
LOW VOLTAGE	—
HIGH VOLTAGE	—



710999D
(Replaces 710999C)