

WIRING DIAGRAM

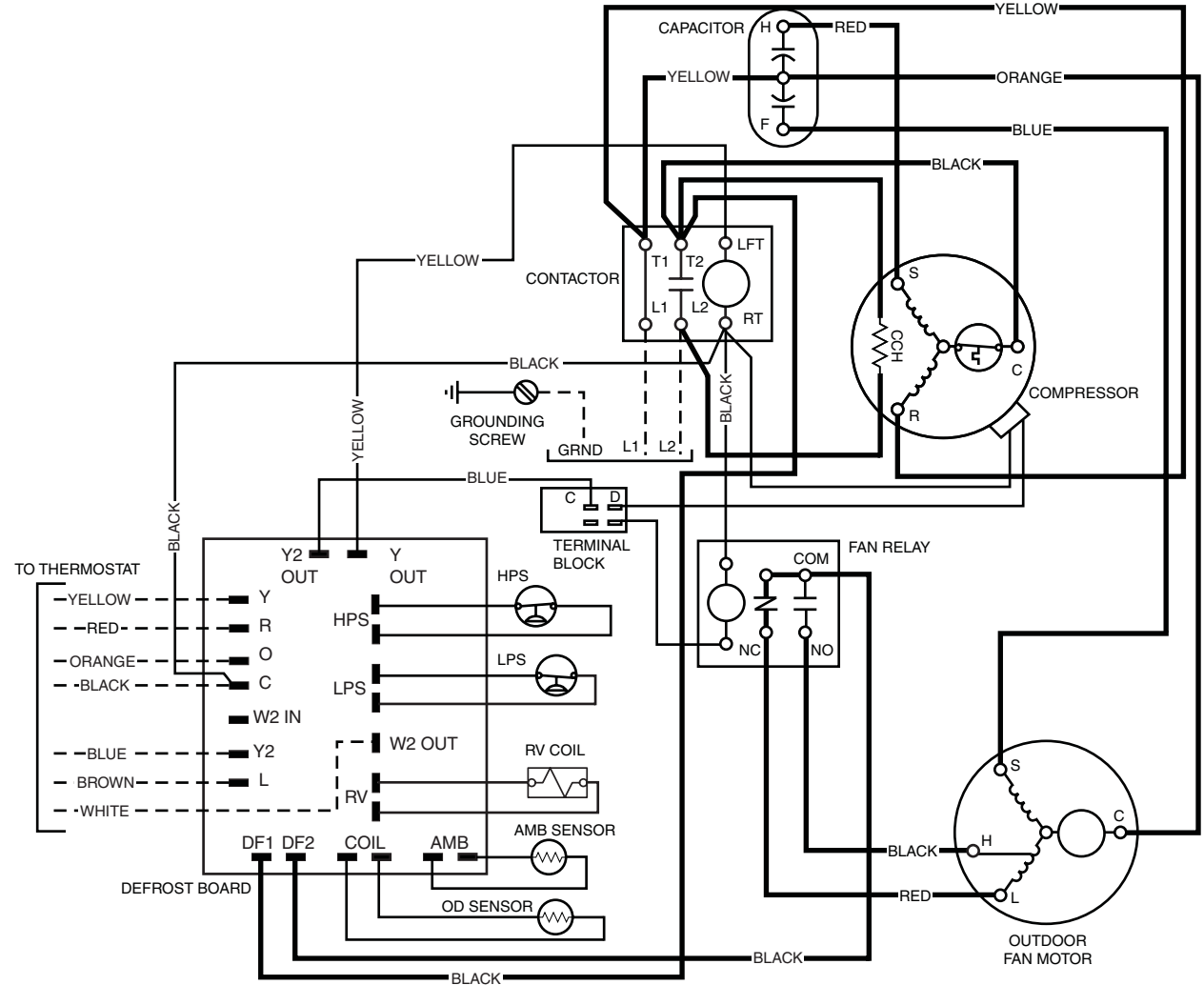
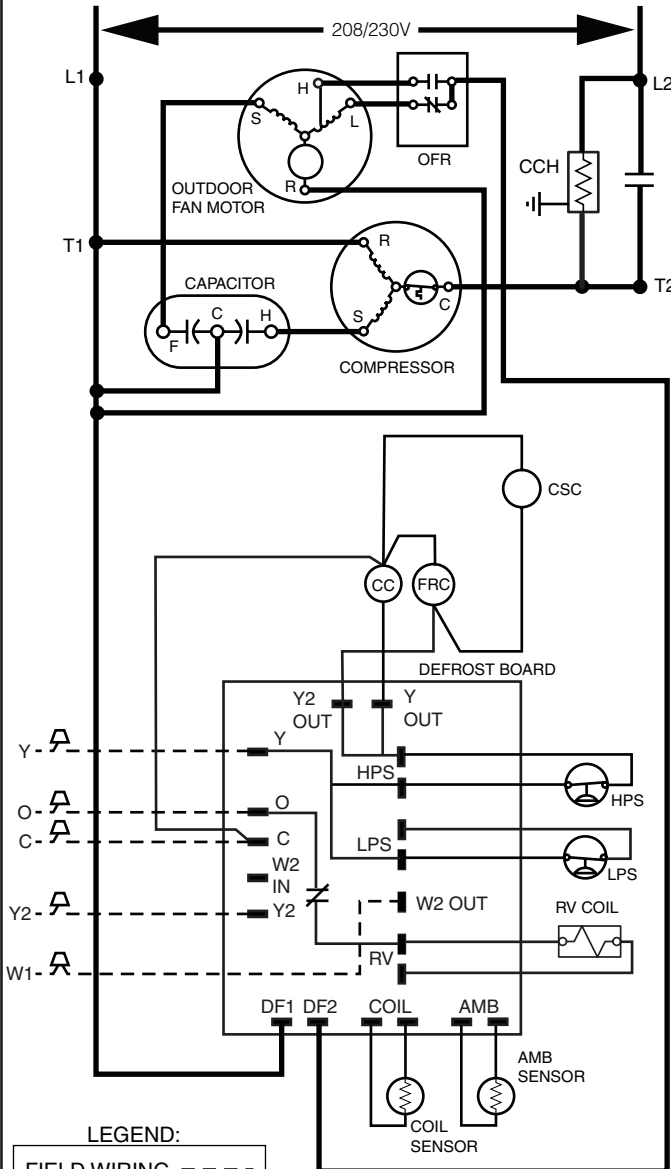
Two Stage Split System Heat Pump With Demand Defrost and Two Speed Fan Motor

208/230V Single Phase / 60 Hz.

NOTES:

1. Disconnect all power before servicing.
2. For supply connections use copper conductors only.
3. Not suitable on systems that exceed 150 volts to ground.
4. For replacement wires use conductors suitable for 105 °C
5. For ampacities and overcurrent protection, see unit rating plate.
6. Connect to 24 vac/40va/class 2 circuit. See furnace/airhandler installation instructions for control circuit and optional relay/transformer kits.

1. Couper le courant avant de faire leretien.
2. Employez uniquement des conducteurs en cuivre.
3. Ne convient pas aux installations de plus de 150 volt a la terre.



LEGEND:

- FIELD WIRING - - - - -
- LOW VOLTAGE ———
- HIGH VOLTAGE ———



711016