

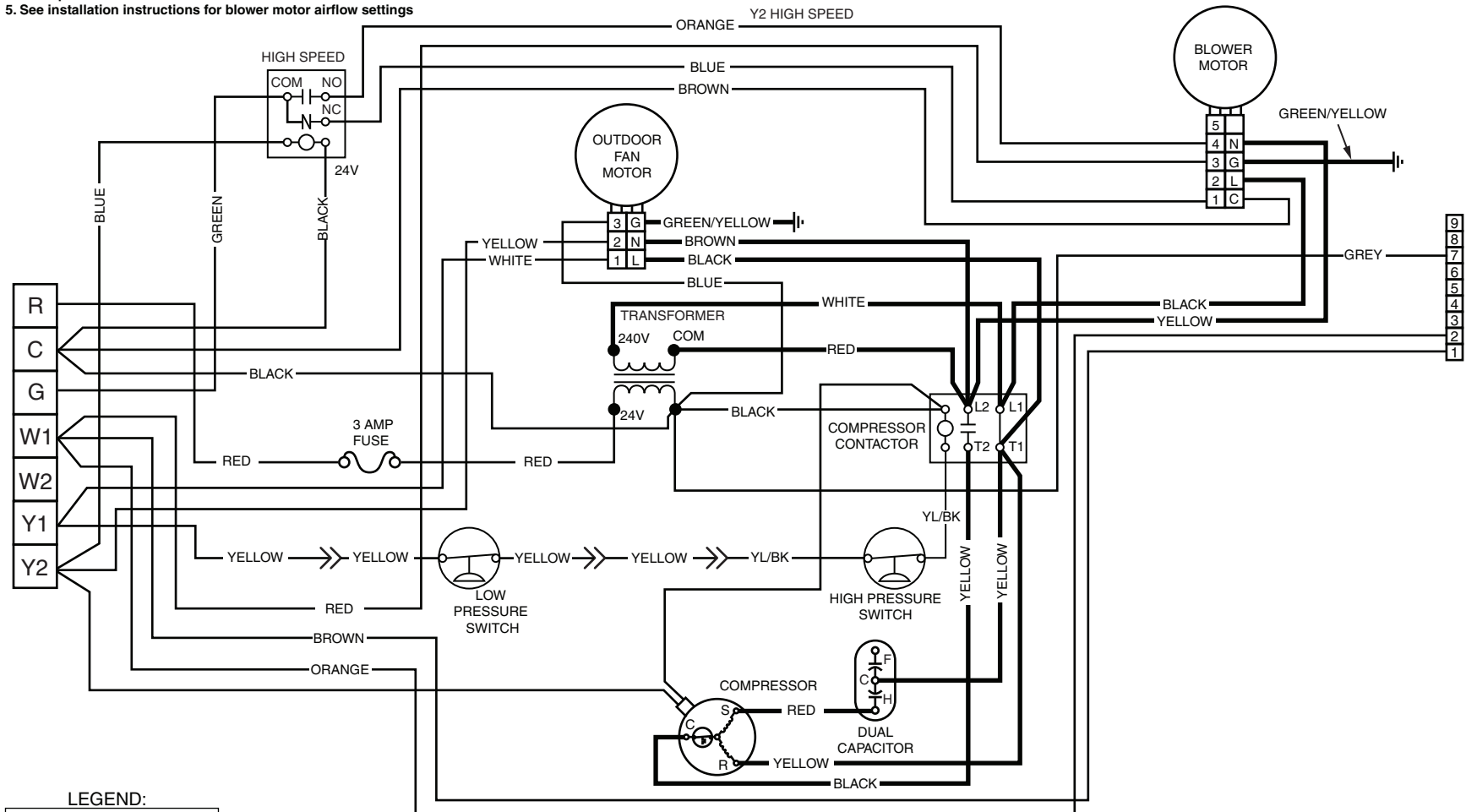
WIRING DIAGRAM

Packaged Air Conditioner - Single Phase

NOTES:

1. Disconnect all power before servicing.
2. For supply connections use copper conductors only.
3. Not suitable on systems that exceed 150 V to ground.
4. For replacement wires use conductors suitable for 105° C.
5. See installation instructions for blower motor airflow settings

1. Couper le courant avant de faire l'entretien.
2. Employez uniquement des conducteurs en cuivre.
3. Ne convient pas aux installations de plus de 150 V à la terre.



LEGEND:

FIELD WIRING	----
LOW VOLTAGE	_____
HIGH VOLTAGE	—————



7112730

0812