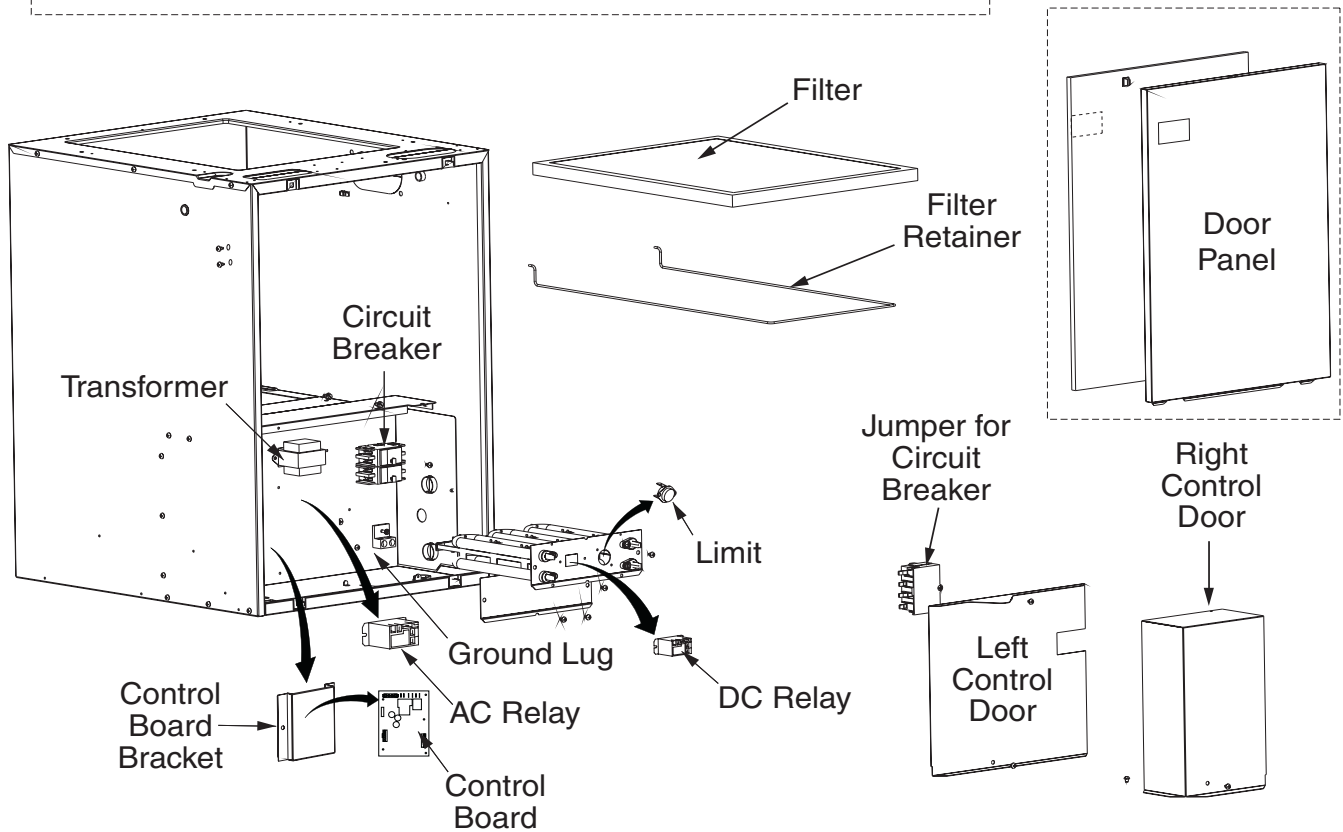
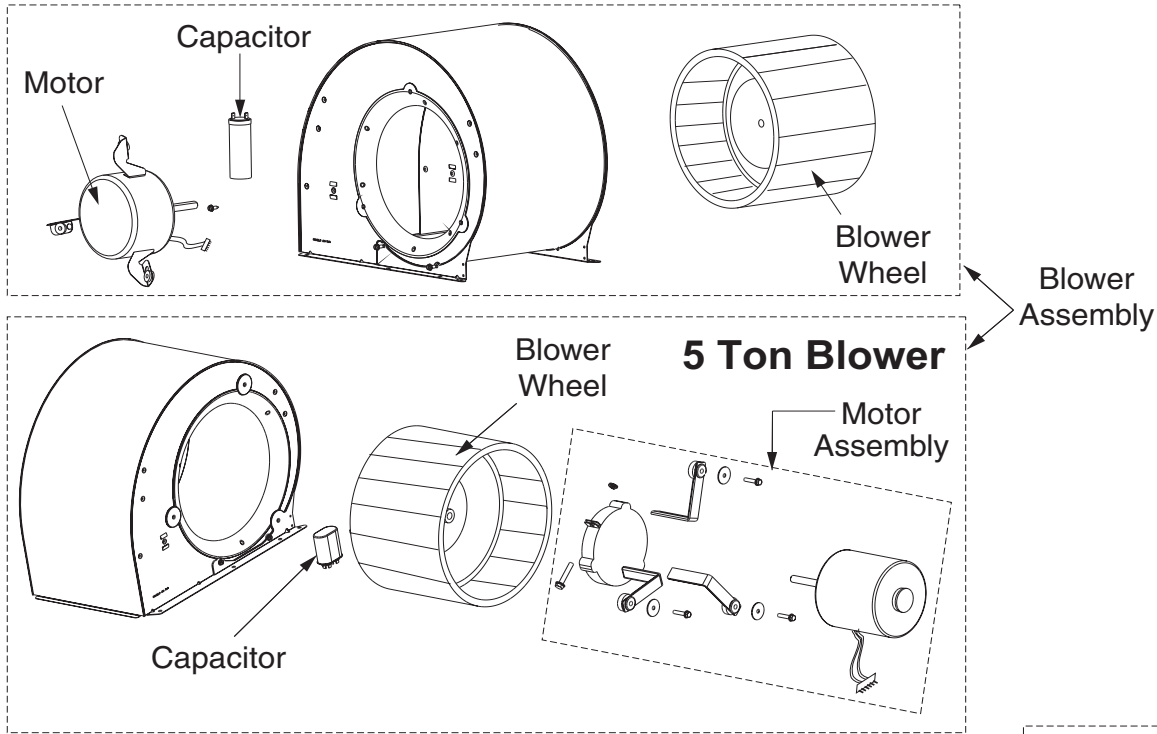


REPLACEMENT PARTS LIST

**E6 SERIES ELECTRIC FURNACE
MODELS -010, -012, -015, -017, -020, -023**



E6 ELECTRIC FURNACE REPLACEMENTS PARTS LIST

DESCRIPTION	MODEL KW						
	-010	-012	-015	-017	-020	-023	-023 (5 TON)
AC RELAY	1017206	1017206	1017206	1017206	1017206	1017206	1017206
BUSHING	631781	631781	631781	631781	631781	631781	631781
CAPACITOR 7.5 MFD 370V	01-0023	01-0023	01-0023	01-0023	01-0023	01-0023	-
CAPACITOR 20 MFD 370V	-	-	-	-	-	-	01-0027
CIRCUIT BREAKER, 60A, 2 POLE	632249R	632249R	632249R	632249R	632249R	632249R	632249R
CONNECTOR, CAP 6-PIN MATRIX	631728R	631728R	631728R	631728R	631728R	631728R	631728R
CONTROL BOARD	1016380R	1016380R	1016380R	1016380R	1016380R	1016380R	1016380R
CONTROL BOARD BRACKET	280671R	280671R	280671R	280671R	280671R	280671R	280671R
DC RELAY	1017207	1017207	1017207	1017207	1017207	1017207	1017207
ELEMENT ASSEMBLY 5.0kW @ 240V	-	-	902818*	-	-	-	-
ELEMENT ASSEMBLY 5.4kW @ 240V	-	-	-	902820*	-	-	-
ELEMENT ASSEMBLY 10.0 kW @ 240V	902821#	-	902821#	-	902821†	902821*	902821*
ELEMENT ASSEMBLY 10.8kW @ 240V	-	-	-	902823#	-	-	-
ELEMENT ASSEMBLY 11.6kW @ 240V	-	902824#	-	-	-	902824#	902824#
FILTER	668860R	668860R	668860R	668860R	668860R	668860R	668860R
FILTER RETAINER	669053R	669053R	669053R	669053R	669053R	669053R	669053R
FUSE, 3 AMP (NOT SHOWN)	632261R	632261R	632261R	632261R	632261R	632261R	632261R
GROUND LUG	632235R	632235R	632235R	632235R	632235R	632235R	632235R
HOLE PLUG (1/2")	632307R	632307R	632307R	632307R	632307R	632307R	632307R
HOLE PLUG (3/4")	632308R	632308R	632308R	632308R	632308R	632308R	632308R
LEFT CONTROL DOOR, 10kW	D00721R	-	-	-	-	-	-
LEFT CONTROL DOOR, 12-23kW	-	D00722R	D00722R	D00722R	D00722R	D00722R	D00722R
LIMIT, 1 POLE	-	-	626459R	626459R	-	-	-
LIMIT, 2 POLE	626458R	626458R	626458R	626458R	626458R	626540R	626540R
MOTOR, 1/3 HP 4 SPEED	903075	903075	903075	903075	903075	903075	-
MOTOR, 3/4 HP 4 SPEED	-	-	-	-	-	-	903096
PANEL DOOR, WHITE - INCLUDES INSULATION	917260	917260	917260	917260	917260	917260	917260
RECEPTACLE LATCH	668420R	668420R	668420R	668420R	668420R	668420R	668420R
RIGHT CONTROL DOOR	D00740R	D00740R	D00740R	D00740R	D00740R	D00740R	D00740R
"SINGLE CIR. ADAPTOR KIT STANDARD ON 012 MODEL, (OPTIONAL ON 015-023 MODELS)"	-	913874	-	-	-	-	-
STRIKE LATCH (2 PIECES)	1018719	1018719	1018719	1018719	1018719	1018719	1018719
TRANSFORMER, 40 VA	621709R	621709R	621709R	621709R	621709R	621709R	621709R
WHEEL, BLOWER (10 x 8)	667037R	667037R	667037R	667037R	667037R	667037R	-
WHEEL, BLOWER (11 x 8)	-	-	-	-	-	-	667258R

Please specify the correct Model No., Serial No. and part number(s) when ordering parts from the nearest authorized dealer or service center.

* = Bottom element in downflow position unit in the picture.

= Top element in downflow position unit in the picture.

† = Uses quantity of two.

