



Universal HVAC Parts & Accessories

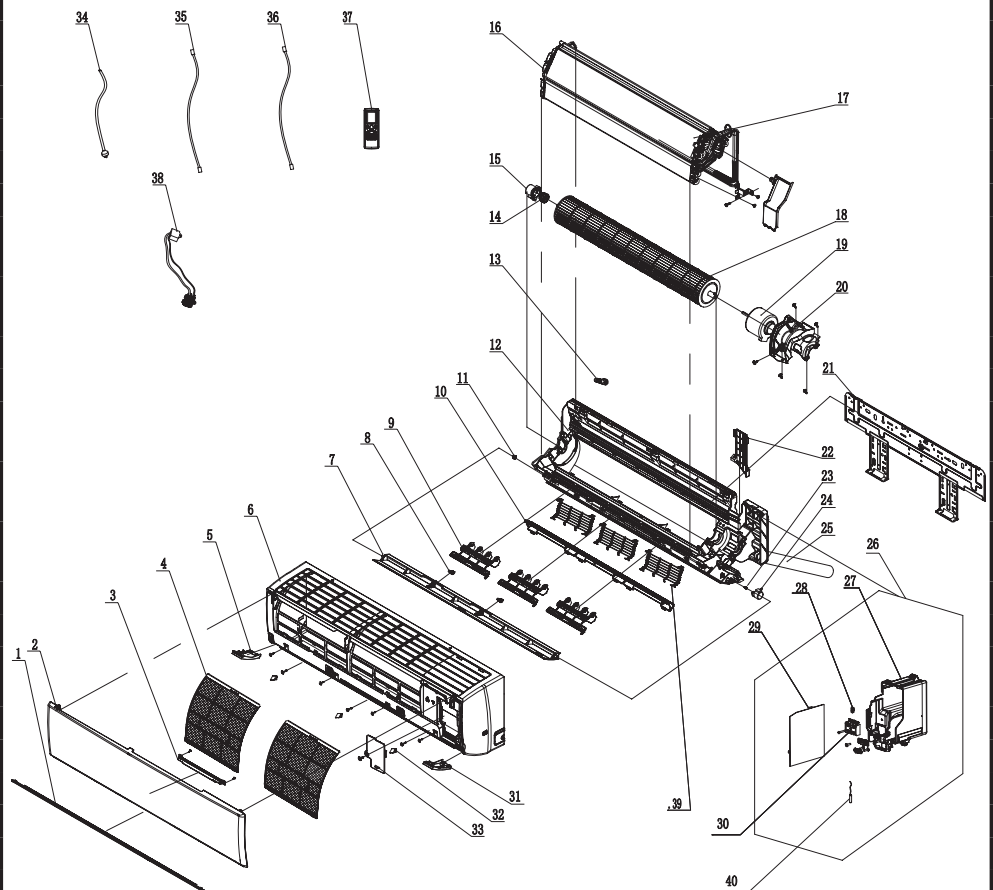
REPLACEMENT PARTS LIST

17 SEER2 SINGLE ZONE, LSKDL2

HIGH WALL INDOOR UNIT

GHH18(5.3)LSK4DL2

ITEM #	COMPONENT
1	DECORATIVE STRIP
2	FRONT PANEL
3	DISPLAY BOARD
4	FILTER SUB ASSY
5	DECORATIVE BOARD (LEFT)
6	FRONT CASE ASSY
7	GUIDE LOUVER
8	AXILE BUSH
9	AIR LOUVER (MANUAL)
10	HELICOID TONGUE
11	LEFT AXILE BUSH
12	REAR CASE ASSY
13	RUBBER PLUG (WATER TRAY)
14	O-GASKET SUB ASSY OF BEARING
15	RING OF BEARING
16	EVAPORATOR SUPPORT
17	EVAPORATOR ASSY (COIL)
18	CROSS FLOW FAN (BLOWER WHEEL)
19	FAN MOTOR (BLOWER MOTOR)
20	MOTOR PRESS PLATE
21	WALL MOUNTING FRAME
22	CONNECTING PIPE CLAMP
23	CRANK
24	STEPPING MOTOR
25	DRAINAGE HOSE
26	ELECTRIC BOX ASSY
27	ELECTRIC BOX
28	JUMPER
29	MAIN BOARD
30	TERMINAL BOARD
31	DECORATIVE BOARD (RIGHT)
32	SCREW COVER
33	ELECTRIC BOX COVER2
34	POWER CORD
35	CONNECTING CABLE
36	CONNECTING CABLE
37	REMOTE CONTROLLER
38	COLD PLASMA GENERATOR
39	REAR GRILL SUB-ASSY
40	TEMPERATURE SENSOR



GHH18(5.3)LSK4DL2

	PART DESCRIPTION	PART CODE	NORTEK PART NUMBER
1	Decorative Strip	NONE	—
2	Front Panel	20000300040T01	1013986
3	Display Board	30565278	1008336
4	Filter Sub Assy	1112208906	1045360
5	Decorative Board (Left)	NONE	—
6	Front Case Assy	00000200042	1028851
7	Guide Louver	1051276501	1028862
8	Axile Bush	10542036	1025086
9	Air Louver (Manual)	10512732	1028747
10	Helicoid Tongue	26112512	1028865
11	Left Axile Bush	10512037	1028872
12	Rear Case Assy	22202571	1032348
13	Rubber Plug (Water Tray)	76712012	1025142
14	O-Gasket Sub Assy of Bearing	76512051	1032449
15	Ring of Bearing	26152025	1025108
16	Evaporator Support	24212177	1028849
17	Evaporator Assy (Coil)	011001000207	1045362
18	Cross Flow Fan (Blower Wheel)	10352060	1014029
19	Fan Motor (Blower Motor)	1501214503	1008346
20	Motor Press Plate	26112511	1032349
21	Wall Mounting Frame	01362026	1032350
22	Connecting pipe clamp	2611218801	1028795
23	Crank	73012005	1028802
24	Stepping Motor	1521240212	1014023
25	Drainage hose	05230014	1028812
26	Electric Box Assy	100002076664	1045731
27	Electric Box	200013060001	1045730
28	Jumper	4202021919	1032432
29	Main Board	300002062966	1045361
30	Terminal Board	422000000022	1045729
31	Decorative Board (Right)	NONE	—
32	Screw Cover	2425201726	1032353
33	Electric Box Cover2	200082060001	1045728
34	Power Cord	NONE	—
35	Connecting Cable	NONE	—
36	Connecting Cable	NONE	—
37	Remote Controller	305001060107_Y05896	1041725
38	Cold Plasma Generator	NONE	—
39	Rear Grill Sub-assy	11002016	1045727
40	Temperature Sensor	3900031302	1013965

